



Assembly Video

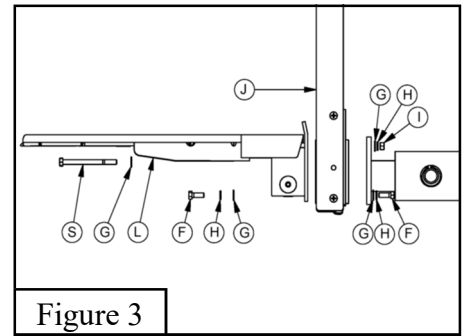
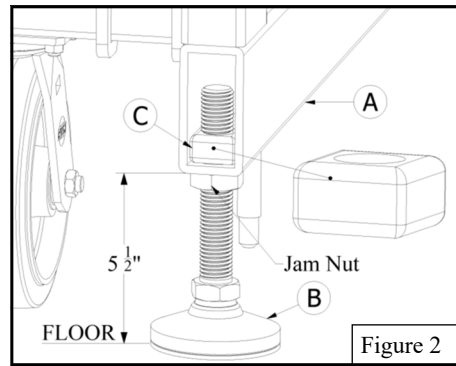
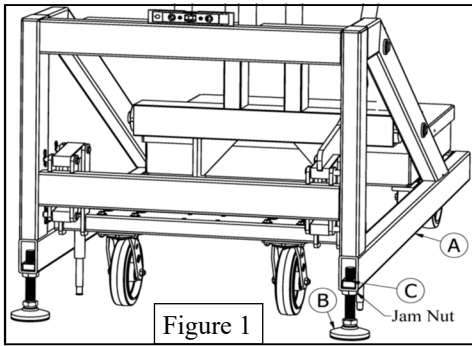
PORTABLE ADJUSTABLE BASKETBALL SYSTEMS

PARTS LIST					
Item	Qty	Description	Item	Qty	Description
A	1	Portable Base	M	4	1/2" Lock Nut
B	2	Leveling Pad	N	1 set	Pads (front, side, and beam (if applicable)) (pkg. separately)
C	2	Square Nut	O	20	1/4" X 3/4" Flat Head Screw
D	4	1/2" Flat Washer	P	2	Front Locator Pin
E	2	Backboard Brace	Q	8	Padding Bracket (White)
F	4	3/8" X 1" Hex Bolt	R	2	Floor Bushing
G	2	3/8" Flat Washer	S	2	3/8" X 4 1/2" Hex Bolt
H	2	3/8" Lock Washer	T	2	Padding Bracket (Gray)
I	2	3/8" Hex Nut	U	2	1/2" X 2 1/2" Hex Bolt
J	1	Backboard (pkg. separately)	V	2	Pad Lock
K	2	Rod End	W	1	Lift Handle
L	1	Breakaway Goal (pkg. separately)	X	1	Rear Hold Down Kit (Optional on some models)

Warning!

Do not remove the safety strap until the backboard and goal installation is complete. This unit is under extreme spring tension and severe injury and damage will result.

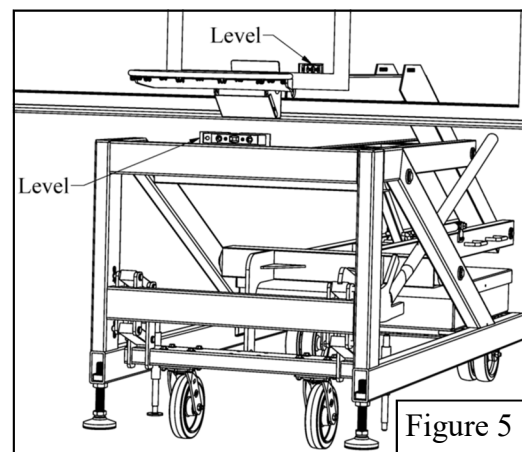
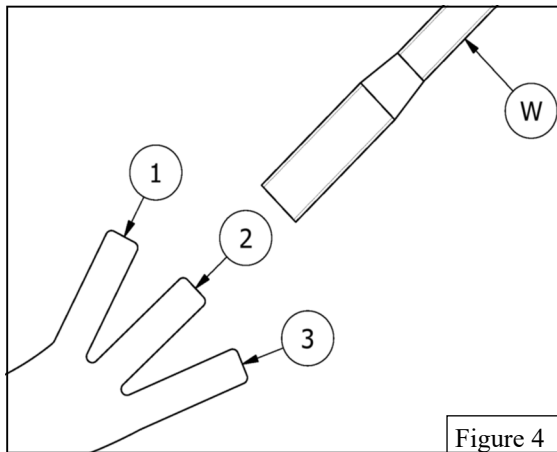
- ◆ Inspect all contents prior to installation. Report any missing parts immediately.
 - ◆ Carefully read all instructions before proceeding. Pay special attention to all safety instructions.
 - ◆ Save this instruction in the event that the manufacturer must be contacted in the future for maintenance information.
1. Carefully lift the front of the unit with a forklift or 4 adults until the factory installed back wheels make contact. Remove and discard the shipping pallet. Using the *Square Nuts* (C) provided, install the *Front Leveling Pads* (B) onto the *Portable Base* (A) and tighten the jam nut on the *Front Leveling Pads* (B) up against the bottom of the *Portable Base* (A) with the bottom of the *Front Leveling Pads* (B) 5 1/2" below the bottom of the tubular member on the *Portable Base* (A). The *Front Leveling Pads* (B) will be adjusted up or down in later instructions to achieve exact official 10' rim height. See Figures 1 and 2
 2. Using *3/8" X 1" Hex Bolts* (F) install the *Backboard* (J) to the extension arm. Install the *Breakaway Goal* (L) using the *3/8" X 1" Hex Bolts* (F) in the bottom holes and the *3/8" X 4 1/2" Hex Bolts* (S), *3/8" Flat Washers* (G), *3/8" Lock Washers* (H) and *3/8" Hex Nuts* (I) going through the top *Breakaway Goal* (L) holes, the top *Backboard* (J) holes and the top holes in the base extension arm. Leave hardware loose or finger tight for leveling backboard from side to side, later in the instructions. See Figure 3.
 3. Remove the safety strap.
 4. There are 3 finger like tabs to chose from when raising and lowering the portable base wheel assembly for transportation. Finger #1 is used when there is a significant floor threshold you need to pass over and shall be used only if necessary. Finger #2 is for normal transport and finger #3 is for low door heights, but may not raise the base adequately to provide easy movement. See Figure 4



5. Sliding the *Lift Handle* (W) over Finger #2, push down and outward to secure the unit under the handle catch for the transport position. Adjust the *Leveling Pads* (B) until the *Portable Base* (A) extension arm is level front to back and the base is level side to side when the *Portable Base* (A) is lowered back onto the *Leveling Pads* (B). Tighten the bottom jam nut tight against the bottom of the *Portable Base* (A). Lower the unit onto the *Leveler Pads* (B). See Figures 1, 2 & 5.
6. Level the *Backboard* (J) and the *Breakaway Goal* (L) from side to side and tighten all hardware. Using the leveling screws on the top and bottom of the extension arm level the *Backboard* (J) top to bottom. Tightening the top screw will raise the front of the *Breakaway Goal* (L) and tightening the bottom screw will lower the back of the *Breakaway Goal* (L). See Figure 6.

Note:
When tightening one screw you will need to loosen the opposite screw when leveling the backboard.

Warning!
Never use the backboard to push/pull the system as unwarranted backboard breakage may occur.



7. Recheck the *Backboard* (J) and *Breakaway Goal* (L) ensuring they are still level. Readjust as necessary.
8. Without attaching the *Backboard Braces* (E), remove *Lock* (V) from the hitch pin, pull hitch pin from the telescoping height adjuster and raise the goal to the 10' playing position and re-insert the hitch pin and *Pad Lock* (V). See Figure 7.

IMPORTANT:
Failure to follow all instructions may cause backboard breakage.

9. Measure the *Breakaway Goal (L)* height and if necessary readjust the two *Leveler Pads (B)* equally to achieve the official 10' playing height. Check to make sure the *Backboard (J)* and the *Breakaway Goal (L)* are still level. Once the *Backboard (J)* and *Breakaway Goal (L)* are level and the *Breakaway Goal (L)* is at the 10' height you shouldn't need make further adjustments.
10. Lower the goal to the storage position onto it's wheels and attach the *Rod Ends (K)* to the *Backboard (J)* in the corners using the *1/2" Flat Washers (D)*, and *1/2" Lock Nuts (M)*. Attach the *Backboard Braces (E)* to the extension arm through the ball joint with *1/2" X 2 1/2" Hex Bolt (U)*, *1/2" Flat Washer (D)*, and *1/2" Lock Nut (M)*. Attach the *Backboard Brace (E)* to the *Rod Ends (K)* mounted to the *Backboard (J)* corners. Tighten all hardware. See Figures 8, 9 and 10.

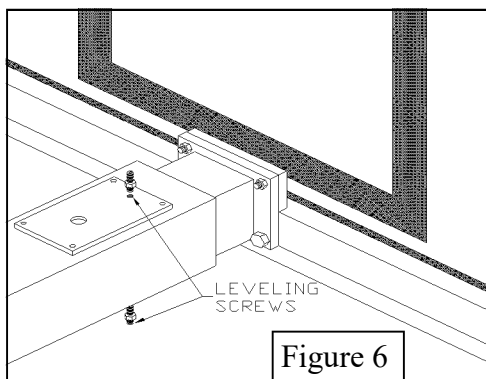


Figure 6

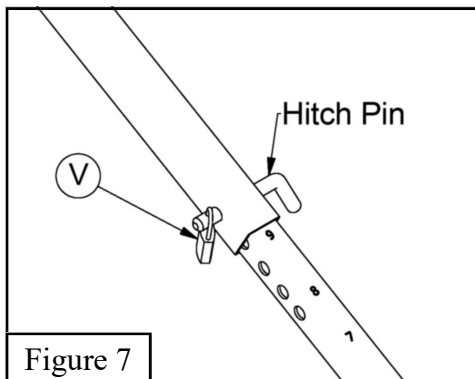


Figure 7

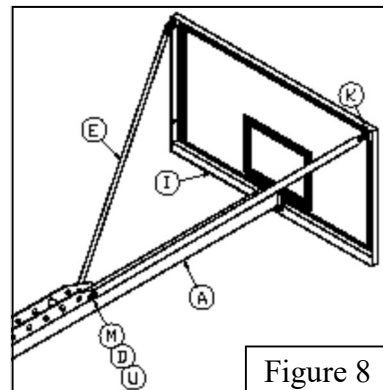


Figure 8

WARNING!

Tighten braces without putting stress on the backboard to avoid backboard breakage.

11. When adjusted, raise the goal to playing position, re-measure the *Breakaway Goal (L)* height.
12. You may need to repeat some adjustments in instruction #5-#11 until you are confident that the *Breakaway Goal (L)* is level and the *Backboard (J)* is level and plumb when the top of the *Breakaway Goal (L)* is in the official 10' playing position.
13. Using the *1/4" X 3/4" Flat Head Screws (O)* install the *White Padding Brackets (Q)* and *Gray Pad Brackets (T)* on the *Front and Side Pads (N)*. Install *Front, Side and Arm Pads (N)* to *Portable Base (A)*. Tighten all set screws on the *White Pad Brackets (Q)* snug against frame. See Figure 11 and 12.

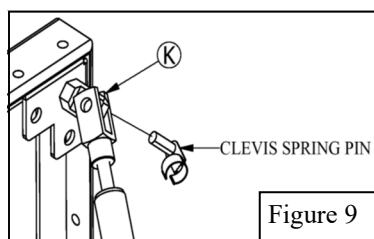


Figure 9

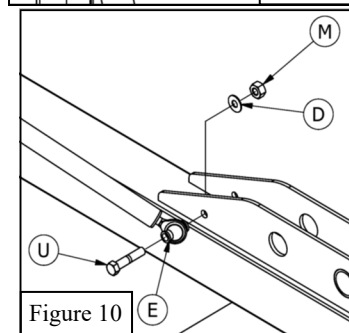


Figure 10

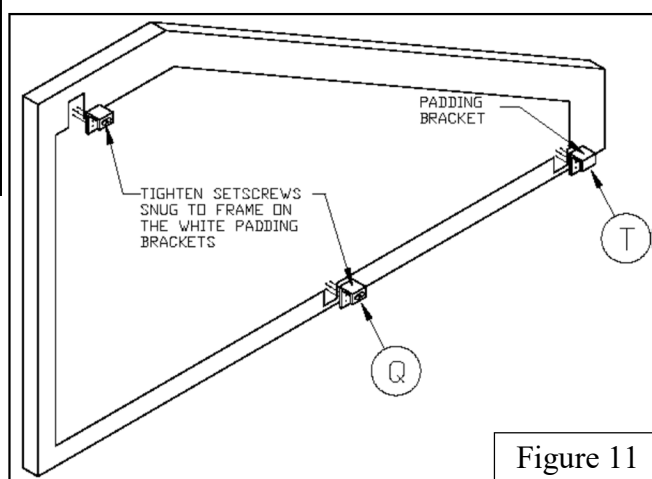


Figure 11

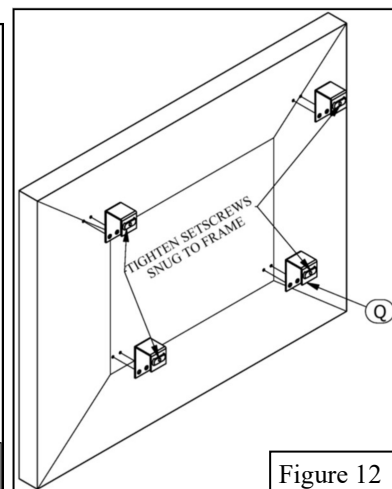
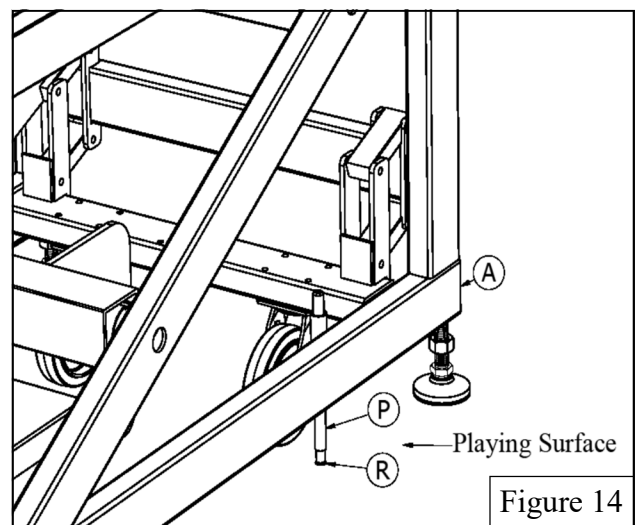
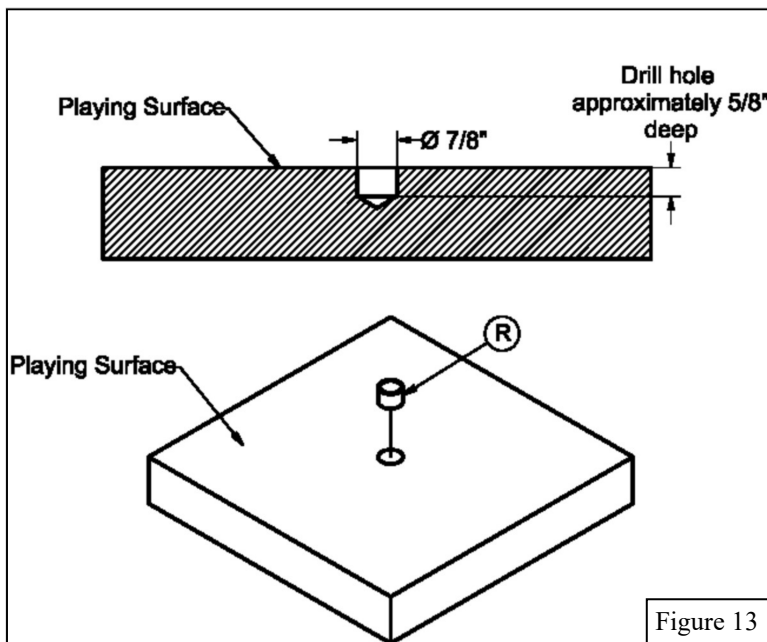


Figure 12

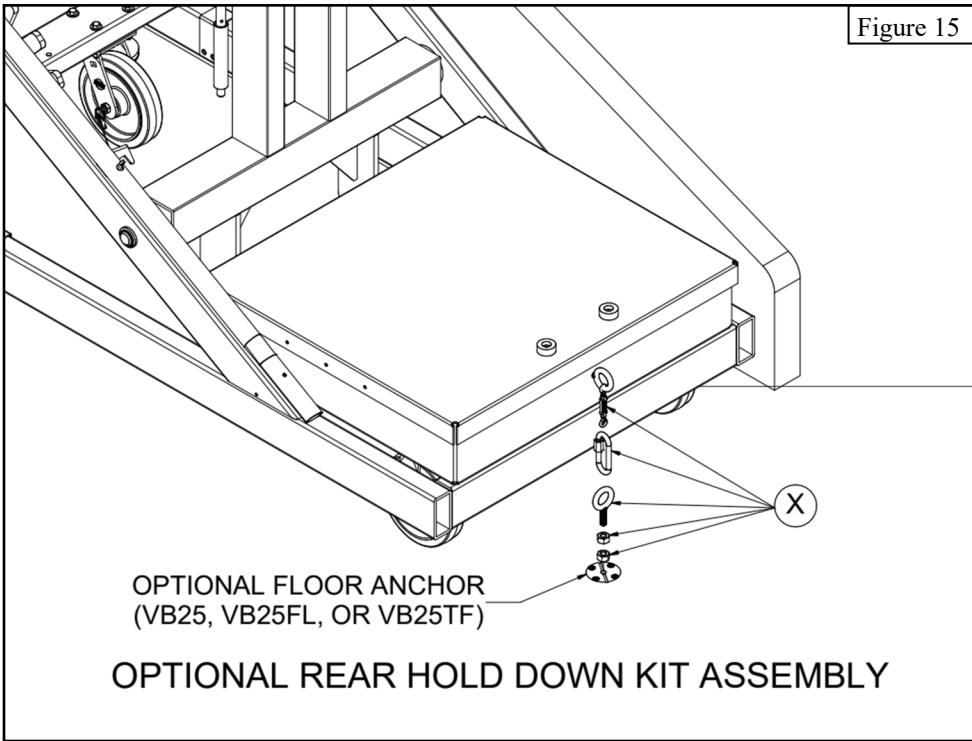
NOTE:

The included locator pins and floor bushings are intended to help for repeat positioning of the unit and to reduce side shift during extreme play.

14. If you intend to use the *Front Locator Pins (P)* for easy repositioning, move *Portable Base (A)* to the desired location for play. **Warning!** While the *Portable Base (A)* can be moved when the *Backboard (J)* is raised to the play position, it is advisable to only raise the goal when unit is at or near its intended play location to avoid difficulty in handling.
15. Once the portable base is in place, remove the *Pad Lock (V)* and Hitch Pin and raise the *Breakaway Goal (L)* to the playing position. Ensure that the backboard is positioned square to the court markings and that the face of the backboard is 48" from the inside edge of the out of bounds end line.
16. Lower the *Front Locator Pins (P)* to the floor and mark the appropriate position for installing the *Floor Bushings (R)* with a sharp marker. See Figure 13.
17. Carefully drill a 7/8" diameter hole in the playing surface 5/8" deep and install the *Floor Bushings (R)* flush with the playing surface. Use of a construction adhesive will improve stability. See Figure 13.
18. Although the *Portable Base (A)* is designed with adequate ballast, the back of the unit may move slightly with excessive hanging. Some models include the optional *Rear Hold Down Kit (X)* for added stability. See Figure 15. Follow instructions provided with the *Rear Hold Down Kit (X)*.
19. During the lifetime of this product you may need to adjust the tension of the lift springs. This is accomplished by tightening each spring individually and all springs equally. **Under no circumstances should the tensioning nuts be removed as springs are under pressure.**
20. Portable bases with 8' set back feature a deadlock device between the vertical uprights (deadlock is optional on other systems). When the unit is at official 10' rim height rotate the deadlock to the horizontal position. Use provided hitch pin to attach the deadlock device to the front vertical upright tab. Rotate the deadlock device to tighten or draw together both vertical uprights, following instruction on the label. The deadlock device when tensioned stabilizes the portable base during aggressive play and provides a safety feature by not allowing the goal to be lowered when deadlock is in position. See Figure 16.



21. Deadlock device must be removed and secured in the storage position before portable base can be lowered for transport. See Figure 15.
22. During play, store the *Lift Handle (W)* in the storage location or secure elsewhere to avoid unwanted portable movement. A *Pad Lock (V)* is provided to lock in place as an option. See Figure 15.



SAFETY WARNING:
DO NOT hang on the rim or any part of system including backboard, support braces, or net. **DO NOT** slide, climb, or play on system. When adjusting height, keep hands and fingers away from moving parts. **DO NOT** allow young children to adjust or move system. **DO NOT** wear jewelry (rings, watches, necklaces, etc.) during play. **DO NOT** operate without the proper factory ballast. **DO NOT** attempt to setup or move the system on uneven surfaces. Check system before each use for loose hardware, excessive wear and general instability, then perform any repairs before play is allowed. **NEVER** play on damaged equipment.

