

# ST125F CONVERTIBLE FLOOR MODEL



Customer Service  
(800) 247-7668

## SPORT PRIDE GRAPHIC SCORERS TABLES

### WARNING!!!

Always check that your wheels roll freely and that they are clean before rolling the scoring table onto your floor. Failure to do so may scratch the floors finish.

1. Roll the scoring table to the desired location. From the center, lift the table top up and pull the folding leg out and slide the locking tube down to lock. While lifting up slightly on each end of the table, swing out the table legs on both sides making sure that the table braces are secured into the locks on the lower surface of the table top. Lower the adjustable legs to rest on the floor. Lifting the table brace slightly will allow the adjustable leg to become fully engaged and stabilize the scoring table. See Figure 2 & 3.
2. When placed in the bleachers, install a platform that fits securely in the bleacher seat, and will safely hold the weight of the scoring table with a ledge to keep from rolling back. Remove the pins, cotter keys, and the floor adjustable leg and install the bleacher adjustable leg, and reinstall the pins and cotter keys. Hang adjustable legs not in use on hooks provided on the back side of padding. See Figures 1 and 4.

### NOTICE!!!

The power strip is located on the backside of the front padding towards the top.  
**(Note: The power strip does not provide surge protection)**

3. When storing the score table, raise the adjustable legs up to the storage position, lift the ends of the table top slightly, fold the legs in, raise the locking tube up on the center folding leg and push in the folding leg to place the table top in the folded position.
4. Your new Scoring Table Graphic Padding is digitally printed with UV curable inks to enhance durability and image quality. Due to the nature of this product in its intended application; you will experience normal wear and tear from contact. You may attempt to remove light scuffmarks or stains with warm water and mild dish soap wiping gently being certain to rinse thoroughly. If mild dish soap and warm water does not remove mark or stain, lightly spray with Windex and wipe gently. **(Note: Test the cleaning solution on an inconspicuous area of the padding (ie: side of pad) before trying on the original stain.)** Do not use harsh solvent type cleaners.

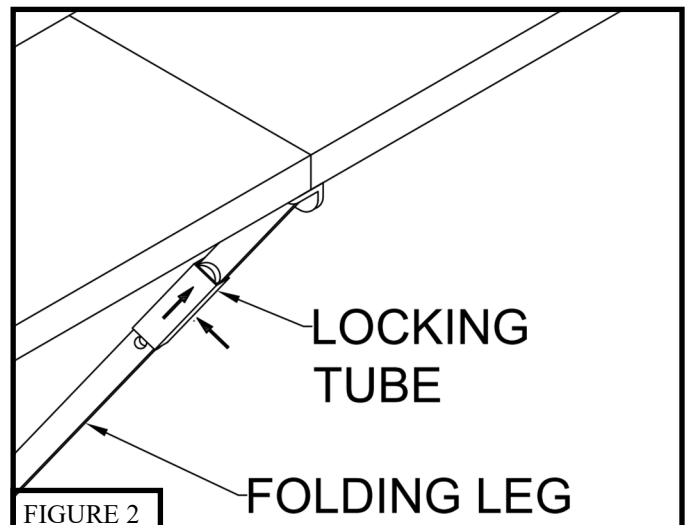
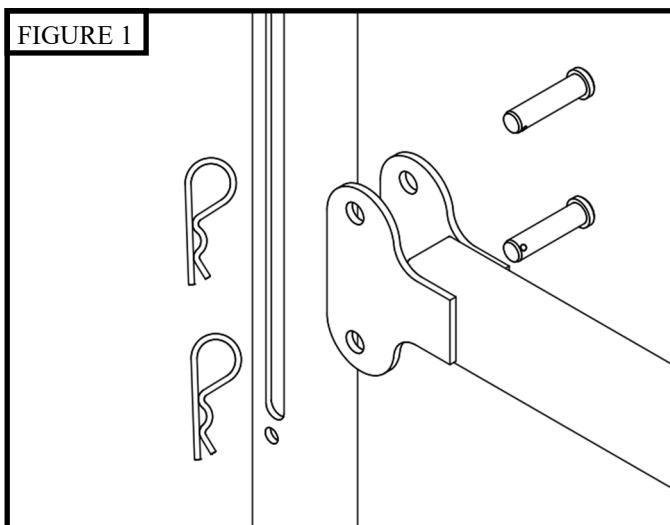


FIGURE 3

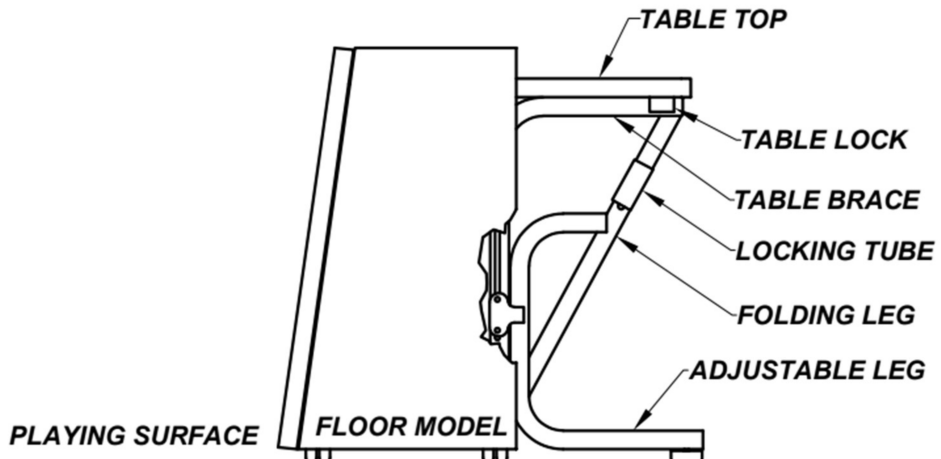


FIGURE 4

