

**NOTE:** Holes for electronic components should be cut out prior to mounting the dashboard. These cut out locations are at user's discretion.

**CLUB CAR<sup>®</sup> PRECEDENT<sup>®</sup> /  
DOUBLETAKE<sup>®</sup> PHANTOM<sup>™</sup>**

**TABLE OF CONTENTS:**

- Section 1** - Car Preparation
- Section 2** - Sentry Dash Installation
- Section 3** - Trim Kit Installation

**IMPORTANT:** Read through all instructions before beginning installation.

## **SECTION 1**

### **CAR PREPARATION**

#### **1:1 REMOVE UPPER TRIM**

Remove the upper body dash area trim by unscrewing the Torx pan head screws at the 4 locations in the trim.

#### **1:2 REMOVE KEY SWITCH COVER PLATE**

Remove the factory key switch cover plate and detach all electrical components.

#### **1:3 REMOVE ELECTRICAL COMPONENTS**

Remove all electrical components from the factory dash. Set aside to be installed in Sentry Dash.

#### **1:4 ADD WIRING EXTENSIONS**

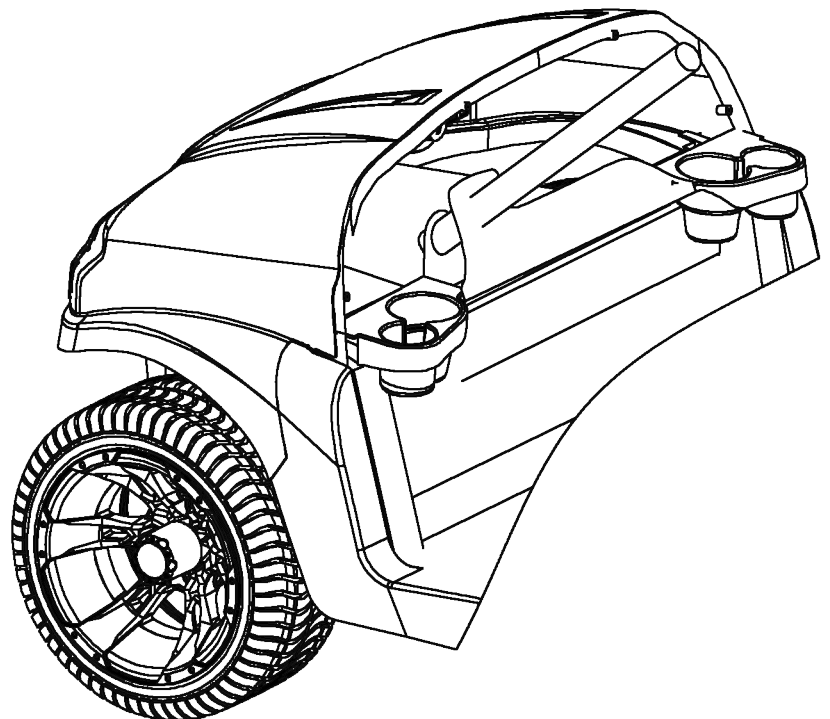
Add 12" wire extensions to the wires of electrical components that need to be transferred to the face of the new dash.

#### **1:5 REMOVE STEERING WHEEL**

Remove the center cap/scorecard holder from center of steering wheel. Remove lagre nut and pull steering wheel off of steering column shaft.

**Club Car Precedent / DoubleTake Phantom**

**Car with factory components removed and ready for Sentry Dash installation**



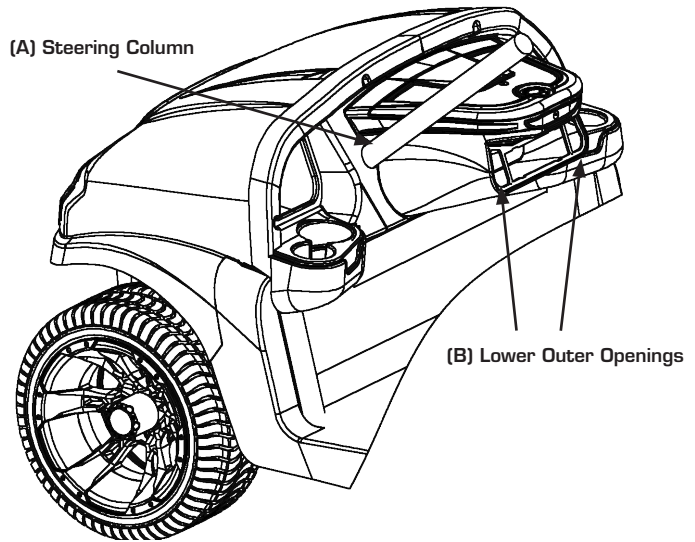
# SECTION 2

## SENTRY DASH INSTALLATION

### 2:1 POSITION SENTRY DASH

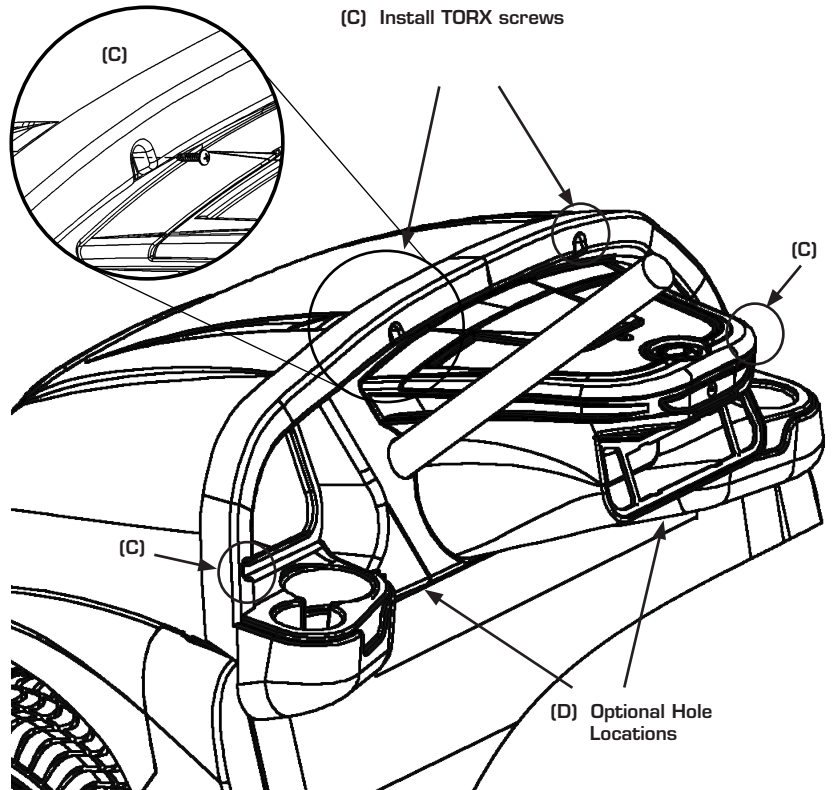
*Sentry Dash fits over existing factory cup holders.*

Slide the Sentry Dash over the steering column (A), while pulling any wiring for electrical components through the lower outer openings (B).



### 2:2 ATTACH DASH WITH SCREWS

Once the dash is fully seated over front cowl, use either the same 4 Torx pan head screws removed in step one, or the new ones provided, to attach the Sentry Dash across the top of dash frame (C). (Mounting holes located at the bottom of the dashboard (D) are optional).



# SECTION 3

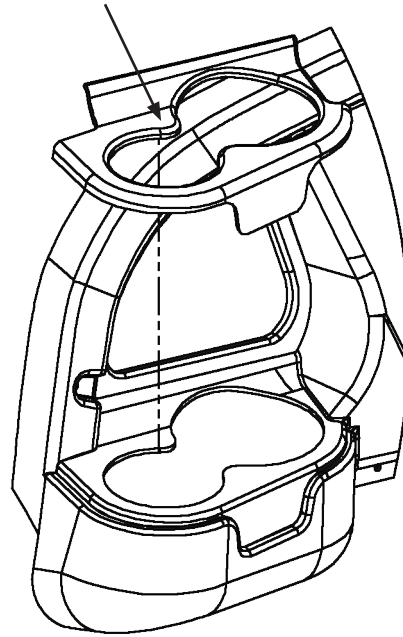
## TRIM KIT INSTALLATION

### 3:1 ATTACH CUP HOLDER INSERTS

Remove protective film from outer surface of Cup Holder inserts (E). Attach inserts to Sentry Dash with peel and stick tape provided.

**NOTE:** Items are left and right handed. Check for correct positioning before attaching with double-sided tape. The adhesive is automotive quality and may not be removeable without damage to the insert once applied.

(E) Cup Holder Insert



### 3:2 ATTACH STORAGE AND NOSE INSERTS

Remove protective film from outer surface of Storage insert (G) and Nose insert (H). Then attach inserts to Sentry Dash with peel and stick tape provided.

### 3:3 PREPARE FACEPLATE

Cut the necessary holes in the Faceplate insert (I) to install the electrical components that were taken out in section one. (Placement of these components varies by user). Install components and reconnect wiring.

### 3:4 INSTALL FACEPLATE TRAY

Snap the Faceplate Tray (J) into the rectangular hole of the Faceplate insert.

**NOTE:** This location also accepts a standard radio sleeve. If a radio is to be installed, do not install the Faceplate Tray. Install the radio sleeve once the Faceplate insert has been screwed into place.

### 3:5 INSTALL FACEPLATE

Insert the Faceplate Tray and Faceplate insert into the lower dash opening and attach with the 4 small flat head screws provided.

### 3:6 REATTACH STEERING WHEEL

Reattach the steering wheel to the steering column.

Installation is Complete.

(G) Storage Insert

