

NOTE: Holes for electronic components should be cut out prior to mounting the dashboard. These cut out locations are at user's discretion.

**YAMAHA[®] DRIVE[®] /
DOUBLETAKE[®] VORTEX[™]**

TABLE OF CONTENTS:

- Section 1** - Car Preparation
- Section 2** - Sentry Dash Installation
- Section 3** - Trim Kit Installation

IMPORTANT: Read through all instructions before beginning installation.

SECTION 1

CAR PREPARATION

1:1 REMOVE FACTORY CUP HOLDER INSERTS

Remove the plastic cup holder insert out of the dash, by unhooking the plastic factory clips under the bottom of the insert (A flat screw driver may be needed to pry it open).

1:2 DISCONNECT COMPONENTS

Reach into dash thru the opening and disconnect all wiring from electronic components mounted to dash. Make sure to notate which wires go with which components, if there is more than one component (Ignition switch, Light switch, etc.).

1:3 REMOVE STEERING WHEEL

Remove the center cap/scorecard holder from center of steering wheel. Remove lagre nut and pull steering wheel off of steering column shaft.

1:4 REMOVE STEERING COLUMN SKIRT

Remove the steering column skirt by unhooking the factory clips under the skirt. (A flat screw driver may be needed to pry it open.)

1:5 REMOVE FACTORY DASH

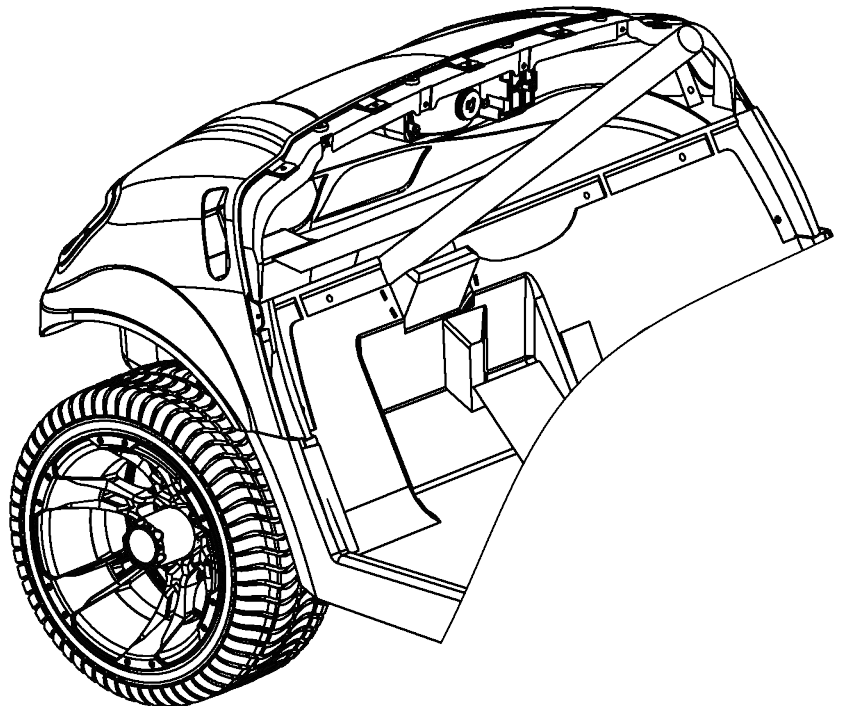
Remove the factory dash by removing:
- 4 plastic push-rivets located across the top of the dash
- 2 phillips head screws in the dash face
- 5 plastic push-rivets across the floor board under the dash

1:6 REMOVE ELECTRICAL COMPONENTS

Remove all electrical components from the factory dash. Set aside to be installed in Sentry Dash.

Yamaha Drive / DoubleTake Vortex

Car with factory components removed and ready for Sentry Dash installation



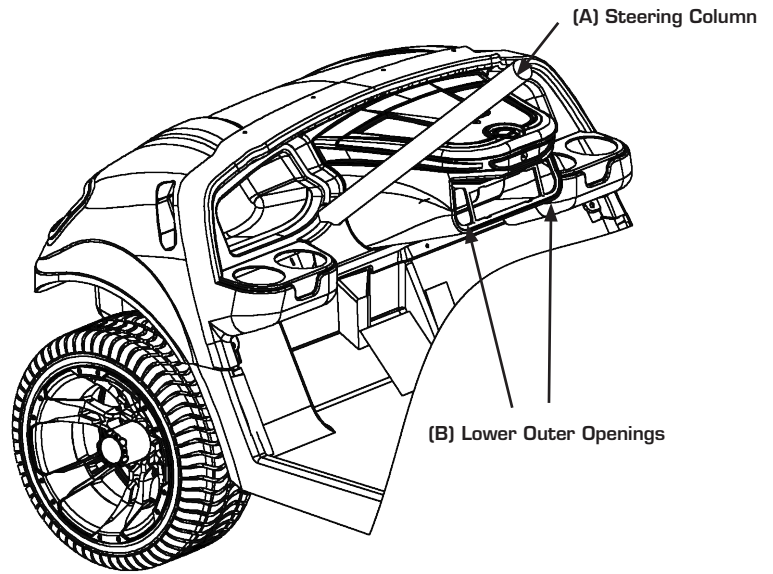
SECTION 2

SENTRY DASH INSTALLATION

2:1 POSITION SENTRY DASH

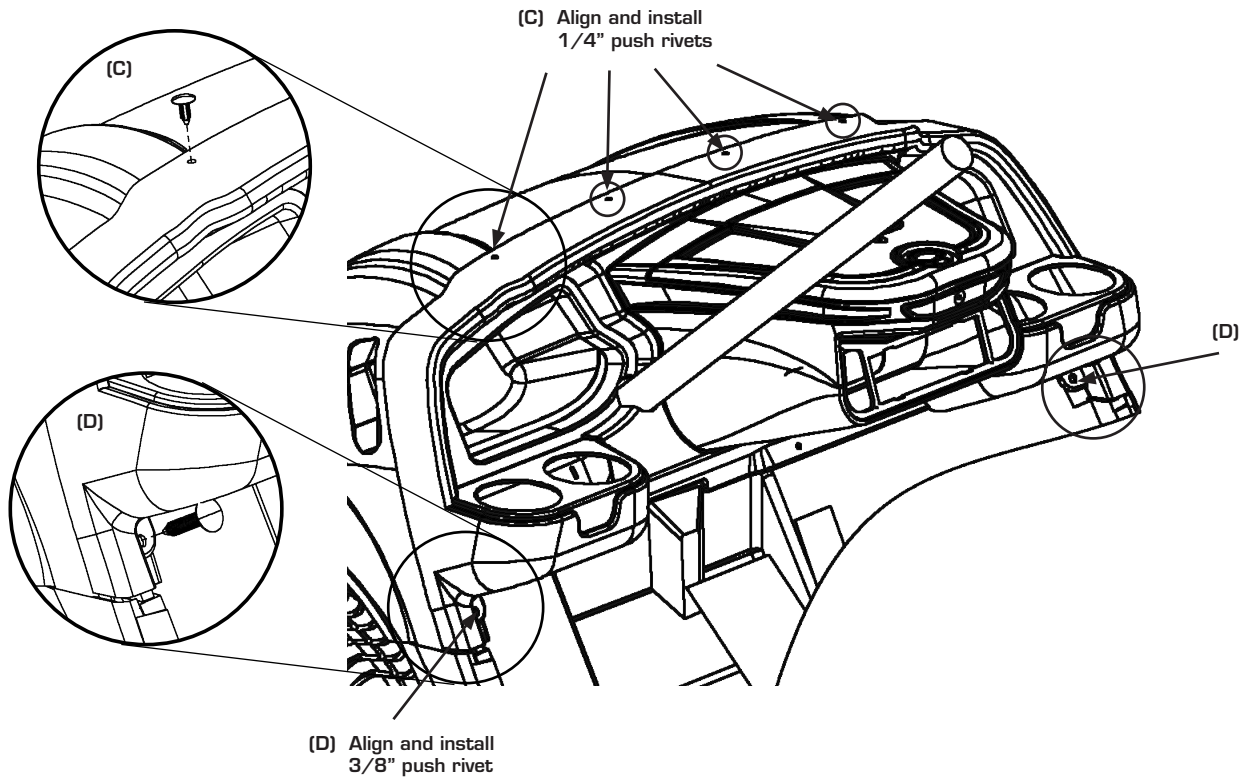
Slide the Sentry Dash over the steering column (A), while pulling any wiring for electrical components through the lower outer openings (B).

NOTE: Wire extensions may need to be added to wiring.



2:2 ATTACH SENTRY DASH WITH PUSH RIVETS

Once the dash is fully seated, line up the four upper holes of the Sentry Dash with the four existing holes in the factory frame (C) and insert four 1/4" push rivets provided. Next, insert two 3/8" push rivets provided into the two outside bottom holes that line up with the existing holes in the floor board (D). (Mounting holes located at the center bottom of the dashboard are optional.)



SECTION 3

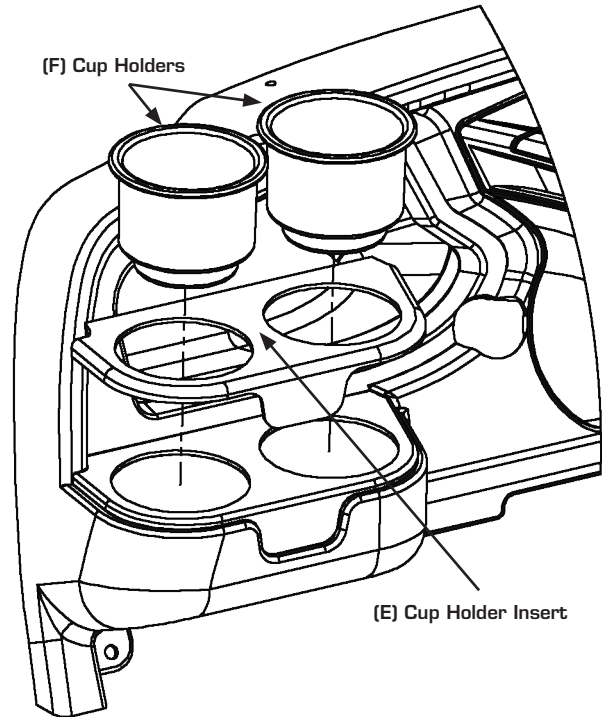
TRIM KIT INSTALLATION

3:1 ATTACH CUP HOLDER INSERTS

Remove protective film from outer surface of Cup Holder inserts (E). Attach inserts to Sentry Dash with peel and stick tape provided.

NOTE: Items are left and right handed. Check for correct positioning before attaching with double-sided tape. The adhesive is automotive quality and may not be removeable without damage to the insert once applied.

Place and press Cup Holders (F) into insert openings.



3:2 ATTACH STORAGE AND NOSE INSERTS

Remove protective film from outer surface of Storage insert (G) and Nose insert (H). Then attach inserts to Sentry Dash with peel and stick tape provided.

3:3 PREPARE FACEPLATE

Cut the necessary holes in the Faceplate insert (I) to install the electrical components that were taken out in section one. (Placement of these components varies by user). Install components and reconnect wiring.

3:4 INSTALL FACEPLATE TRAY

Snap the Faceplate Tray (J) into the rectangular hole of the Faceplate insert.

NOTE: This location also accepts a standard radio sleeve. If a radio is to be installed, do not install the Faceplate Tray. Install the radio sleeve once the Faceplate insert has been screwed into place.

3:5 INSTALL FACEPLATE

Insert the Faceplate Tray and Faceplate insert into the lower dash opening and attach with the 4 small flat head screws provided.

3:6 REATTACH STEERING WHEEL

Reattach the steering wheel to the steering column.

Installation is Complete.

