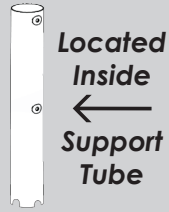


Parts List:



Support Tube (1)



fits post:
→ up to 1- 1/2"



→ up to 1- 7/8"

Post Collars (2)
Bottom Post Protector (1)



Bottom Support Plate (1)
M12x45mm Bolt (1)



Axle Rod (1)
Wheel (1)
Assembled

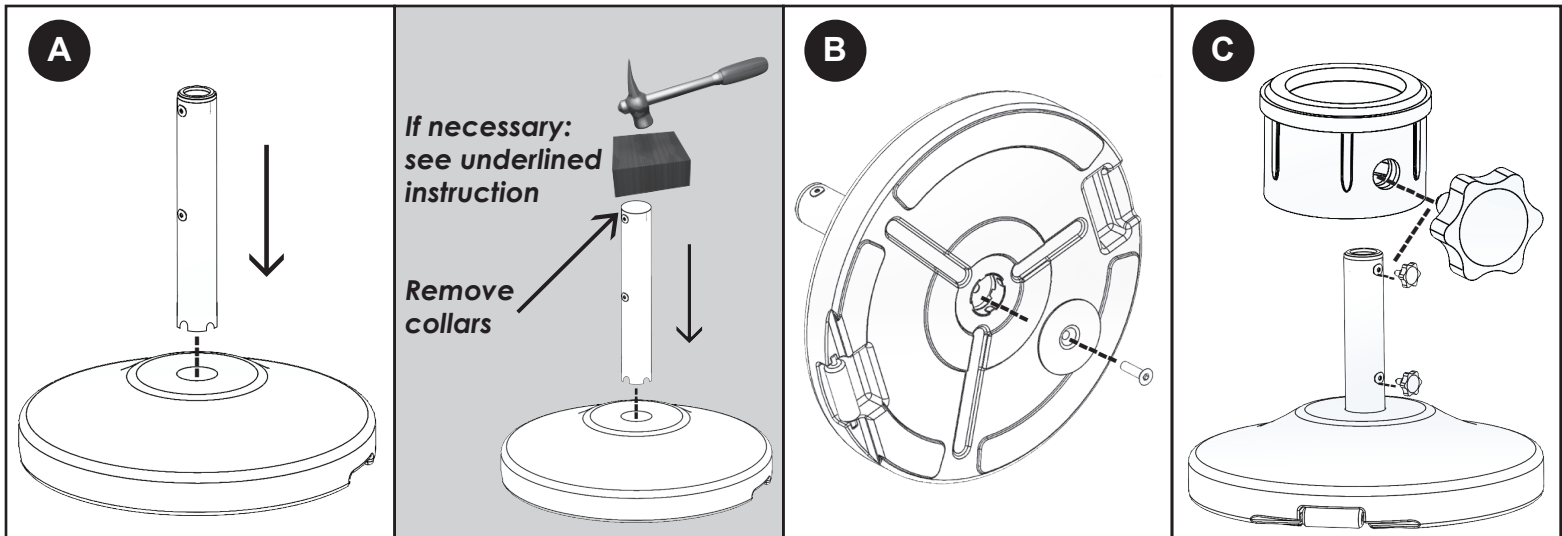


Knob (2)



Allen Wrench (1)

80 Lb. Market Umbrella Base



NOTE: Post collars and bottom post protector are located inside of support tube. Bottom post protector should rest inside bottom of support tube. If your umbrella post is larger than 1-1/2" diameter, remove smaller inside collar and use outer collar only. If your umbrella post is larger than 1-7/8" remove both inside and outside collars and place umbrella post directly inside support tube. Support tube will hold a 2" umbrella post without post collars.

Assembly Instructions:

- A** - From top side of umbrella base, align slots in bottom of tube with nubs in base and push support tube down firmly through center hole of base. See Figure A. Note: Tube is intended to fit snug in umbrella base. If necessary, remove plastic collars and tap with hammer, using block of wood or similar object to protect top of tube.
- B** - Turn base on side and attach bottom support plate using M12 x 45mm bolt. Tighten Firmly! See Figure B.
- C** - With base right side up, attach (2) knobs by threading into support tube. See Figure C. **NOTE: MAKE SURE TOP KNOB ALIGNS WITH HOLES IN POST COLLARS BEFORE TIGHTENING.**
-Insert umbrella post into the support tube and tighten both knobs to help secure umbrella.

Warning: Failure to assemble and install as instructed could result in the umbrella tipping over causing personal injury and/or property damage. It is NOT recommended to use your umbrella during periods of high wind and rain. Always take the umbrella down during high or gusting wind/rain and when not in use.