

Thank you for your business. We value our customers.

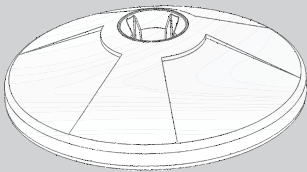
DO NOT RETURN

Contact manufacturer for any product issues.

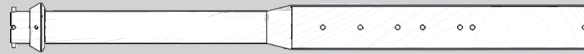
usw.sales@escaladesports.com -toll free at **1-877-201-9748**.

Parts List:

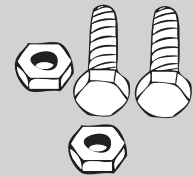
Parking Sign Kit



Base (1)



Post (1)



Sign Mounting Hardware

Note: Base and post ship separately.

Assembly Instructions

1. Insert the post into the base by aligning the cross pin at the bottom of the post to the cross cutout in the base.

Once aligned, push post down completely and rotate post $\frac{1}{8}$ of a turn to lock post/cross pin in place. See Figure A.

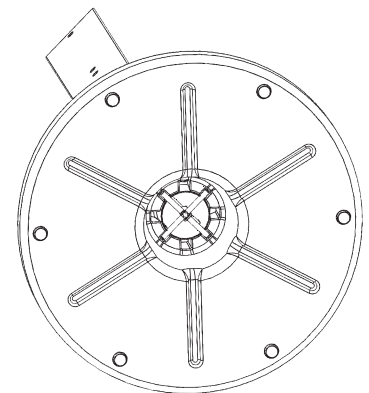
2. Once post is assembled to base, add your sign using included hardware.

3. To remove post, push post down completely and rotate post $\frac{1}{8}$ of a turn. Lift post from base.



A

Bottom View of Base
Cross pin shown locked in place.



WRONG!

