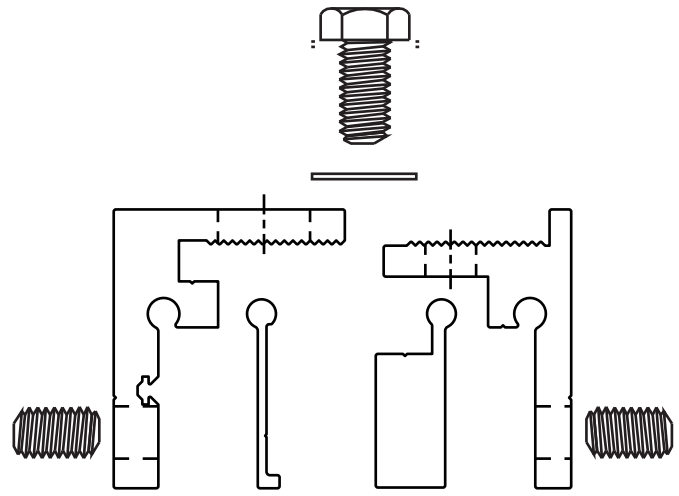
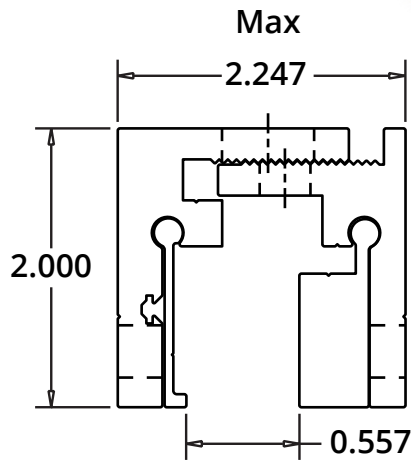
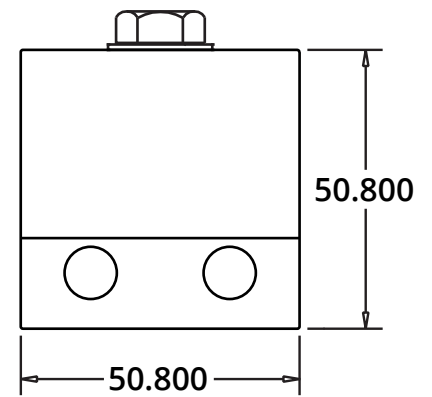
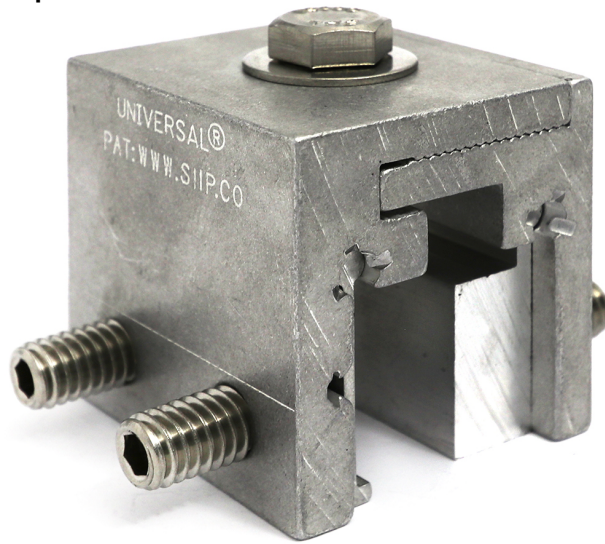
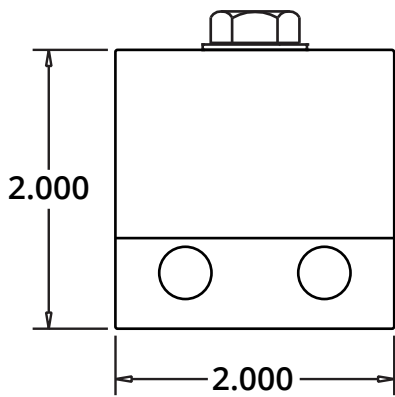


G2 Standing Seam Hammer

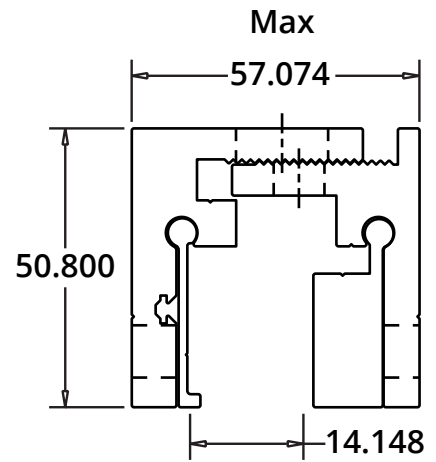
Adjustable "L" Shaped Hammer



Exploded View



(Inches)



(Millimeters)



UNIVERSAL® CLAMP - ADJUSTABLE 2-PIECE, MEDIUM

PART NO. SI135M

Recommended Screw Tension	Perpendicular Pull Test Results	Parallel Pull Test Results
16-20 ft/lb	3,970 lbf.	2,620 lbf.