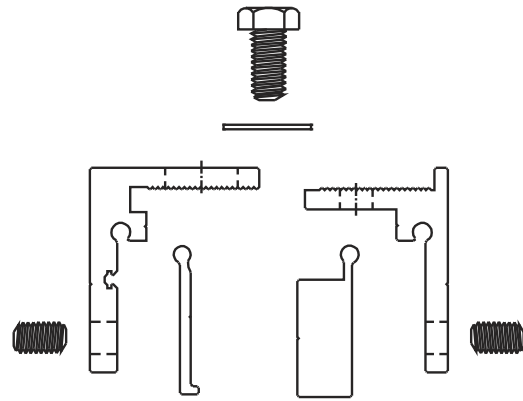
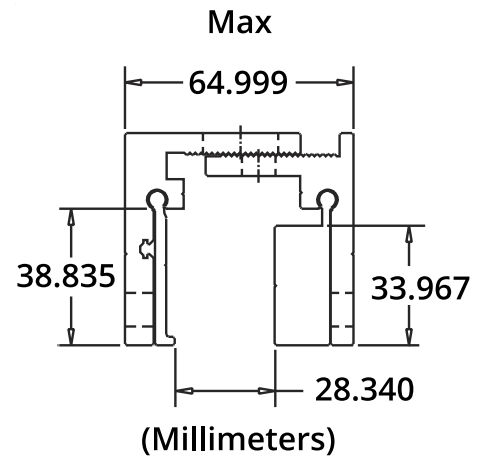
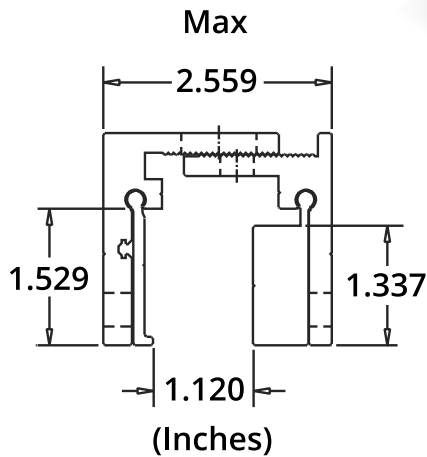
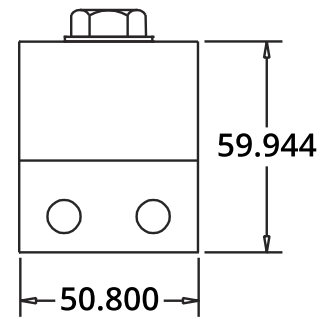
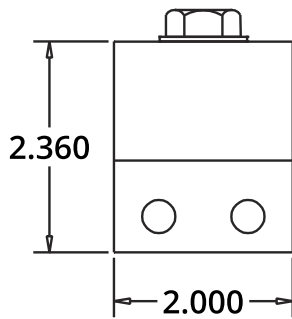


G2 Standing Seam Hammer

Adjustable "L" Shape Hammer



Exploded view



**UNIVERSAL® CLAMP - ADJUSTABLE 2-PIECE, LARGE**

PART NO. SI135L

Recommended Screw Tension	Perpendicular Pull Test Results	Parallel Pull Test Results
16-20 ft/lb	3,018 lbf.	2,332 lbf.