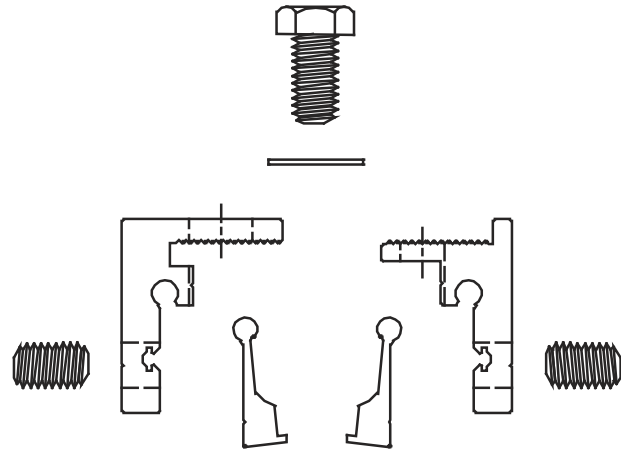
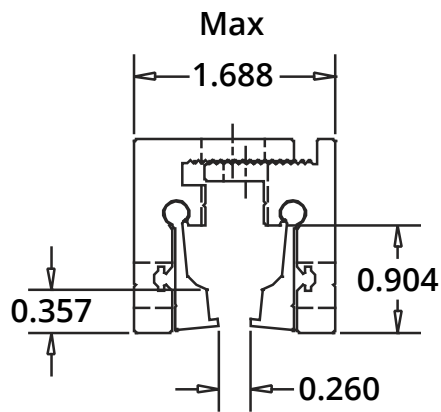
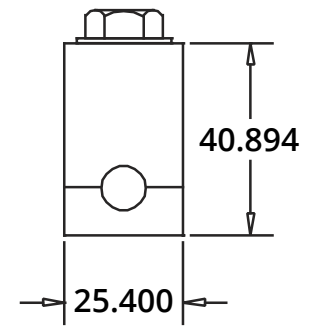
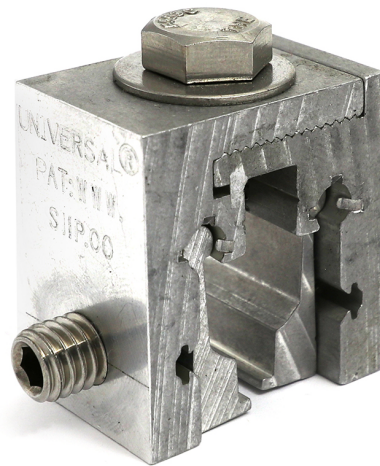
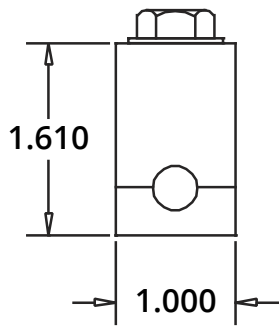


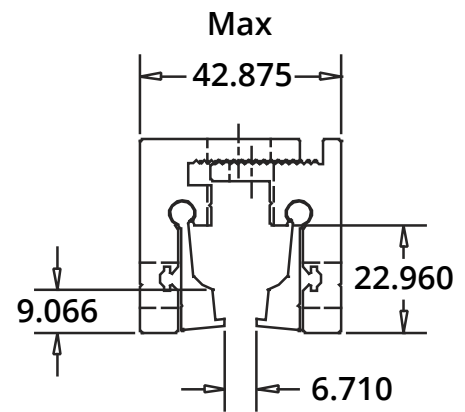
Small Round Style Hammer



Exploded view



(Inches)



(Millimeters)



UNIVERSAL® CLAMP - ADJUSTABLE 2-PIECE, SMALL

PART NO. SI134SXS

Recommended Screw Tension	Perpendicular Pull Test Results	Parallel Pull Test Results
16-20 ft/lb	2,058 lbf.	1,352 lbf.