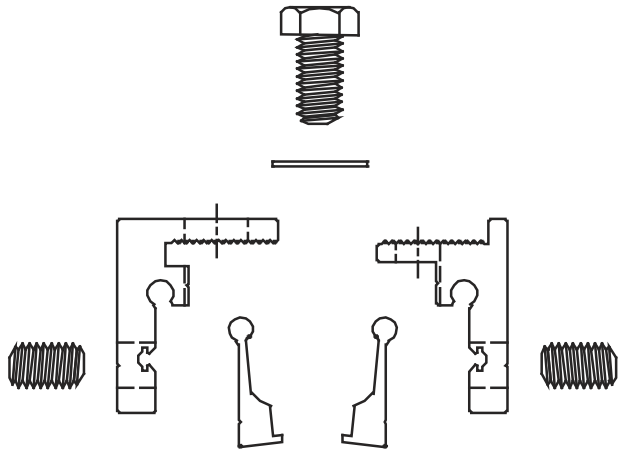
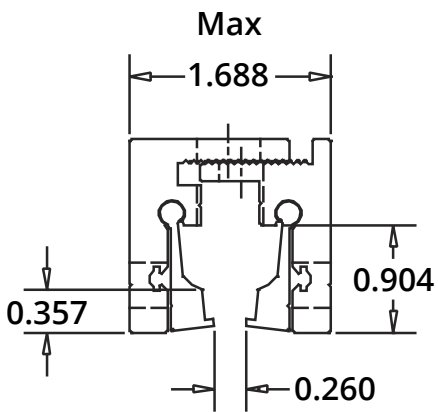
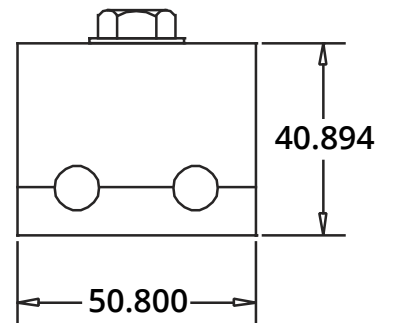
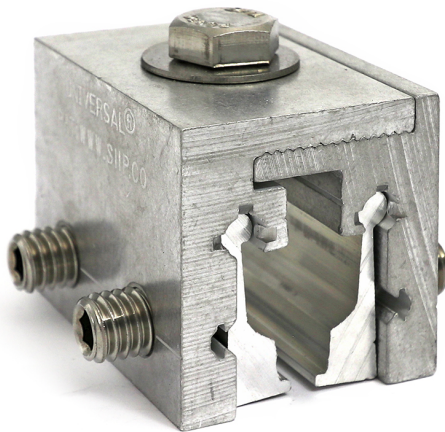
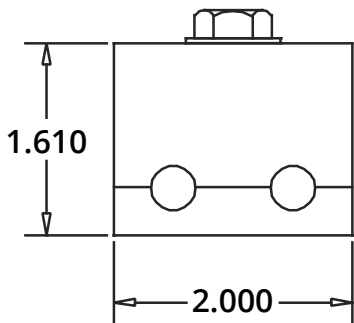


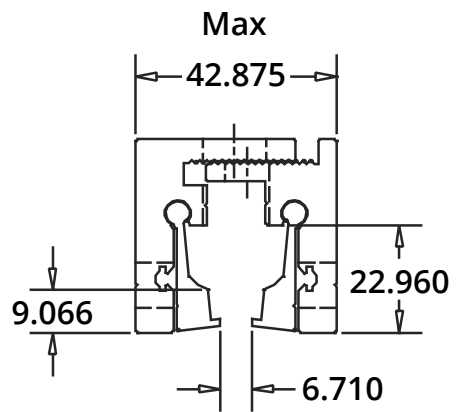
Small Round Style Hammer



Exploded view



(Inches)



(Millimeters)



UNIVERSAL® CLAMP - ADJUSTABLE 2-PIECE, SMALL

PART NO. SI134S

Recommended Screw Tension	Perpendicular Pull Test Results	Parallel Pull Test Results
16-20 ft/lb	2,744lb.f.	1,676 lb.f.