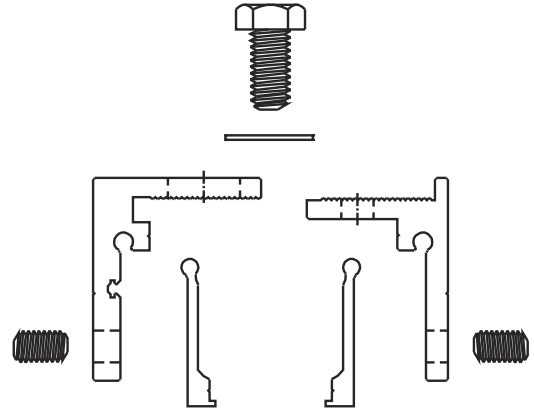
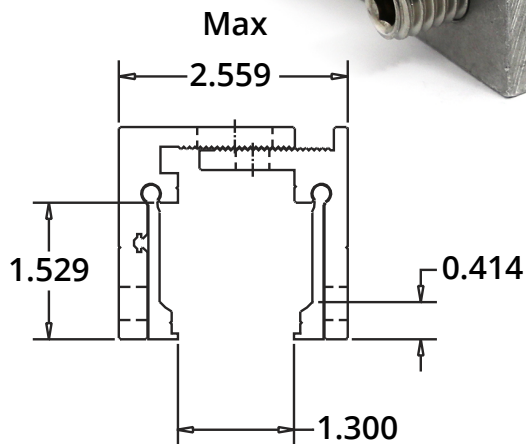
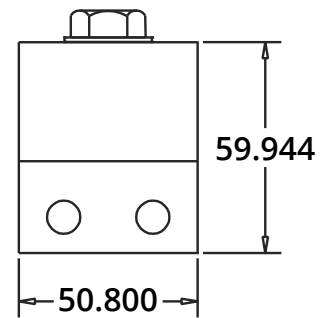
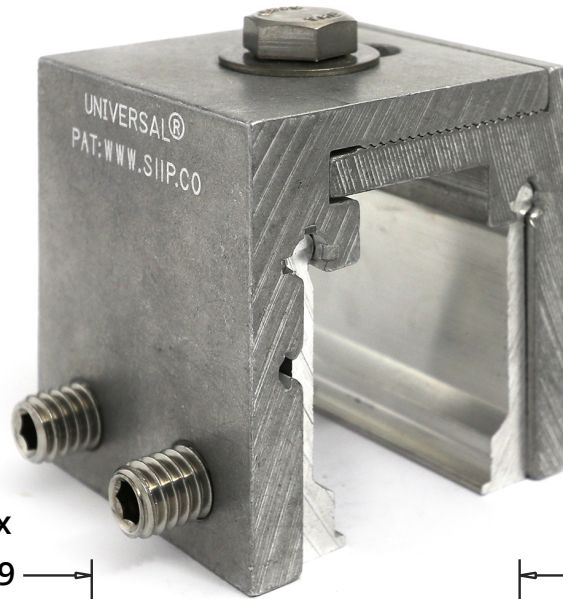
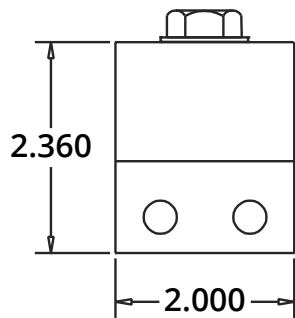


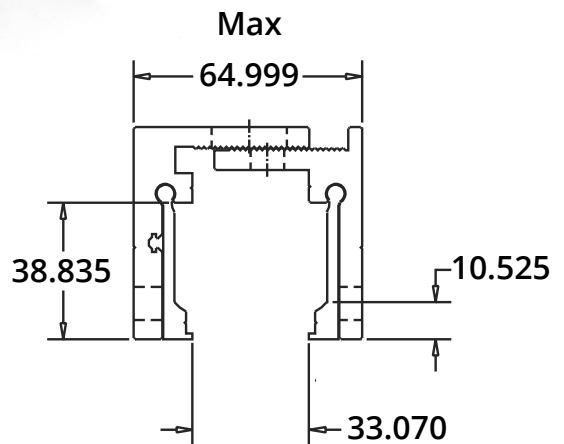
Round Style Hammer



Exploded view



(Inches)



(Millimeters)



UNIVERSAL® CLAMP - ADJUSTABLE 2-PIECE, LARGE

PART NO. SI134L

Recommended Screw Tension	Perpendicular Pull Test Results	Parallel Pull Test Results
16-20 ft/lb	2,538 lbf.	1,156 lbf.