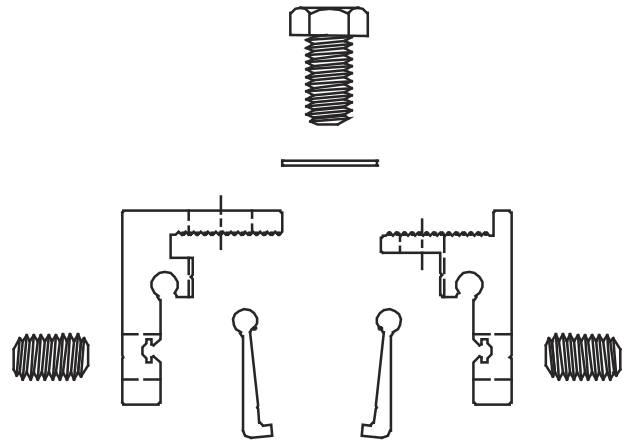
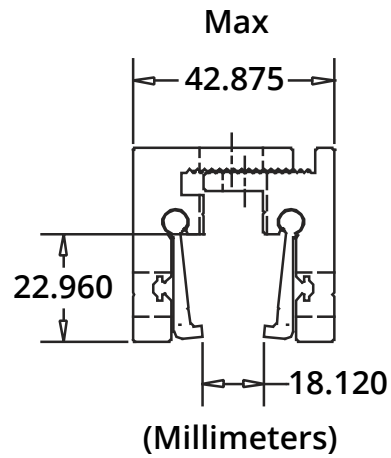
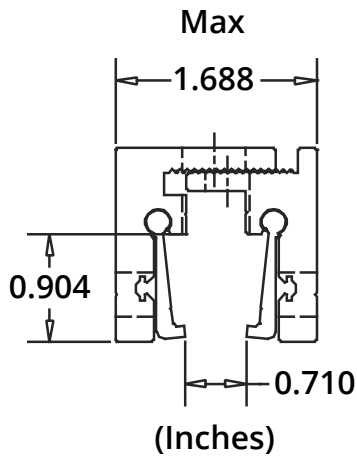
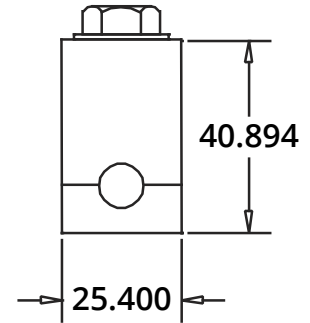
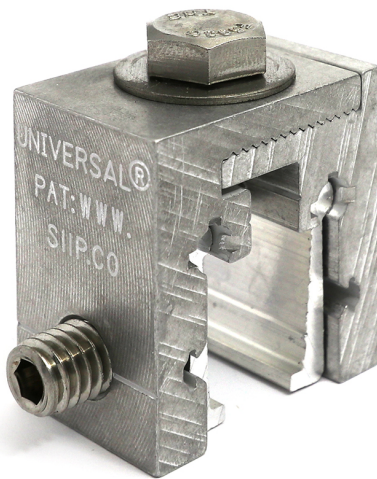
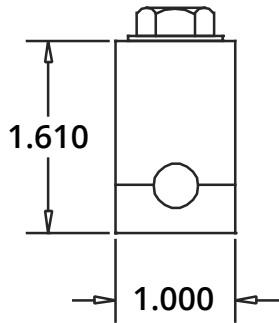


G2 Standing Seam Hammer



Exploded view



UNIVERSAL® CLAMP - ADJUSTABLE 2-PIECE, SMALL

PART NO. SI132SXS

Recommended Screw Tension	Perpendicular Pull Test Results	Parallel Pull Test Results
16-20 ft/lb	2,704 lbf.	2,116 lbf.