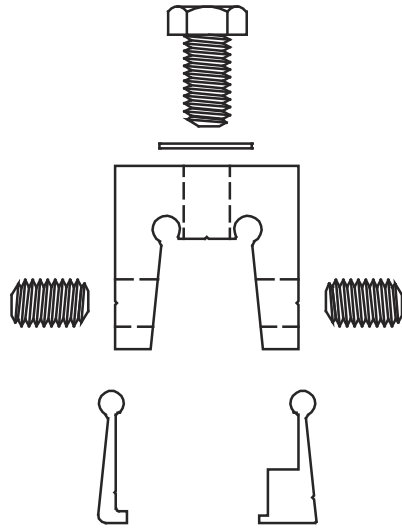
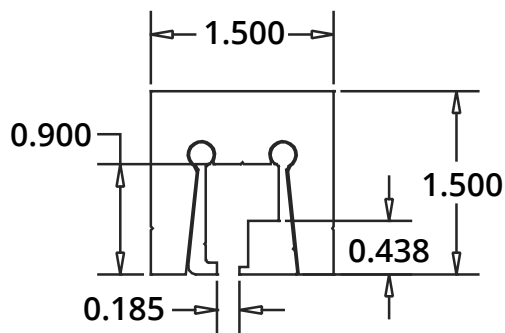
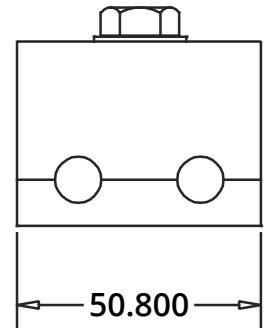
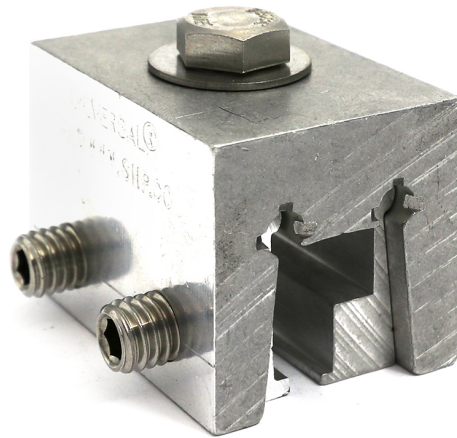
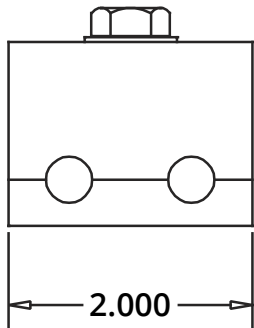


G2 Standing Seam Hammer

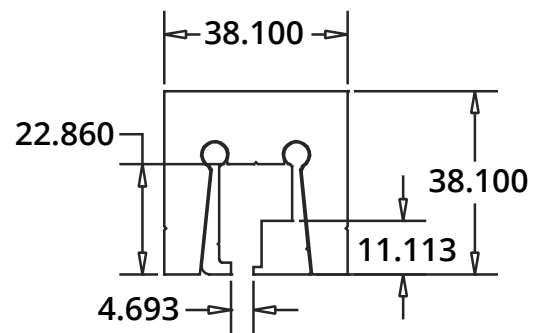
Modified "L" Shape Hammer



Exploded view



(Inches)



(Millimeters)



UNIVERSAL® CLAMP - 2-INCH STANDARD BODY

PART NO. SI106

Recommended Screw Tension	Perpendicular Pull Test Results	Parallel Pull Test Results
16-20 ft/lb	3,151 lbf.	2,172 lbf.