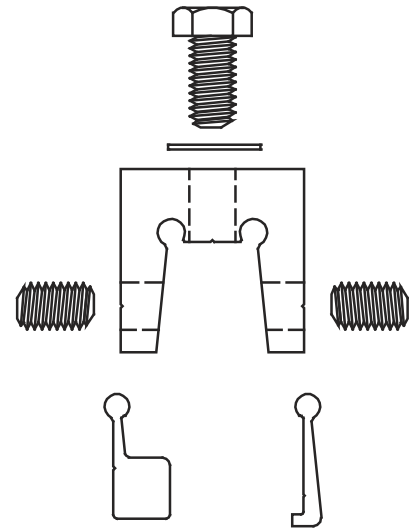
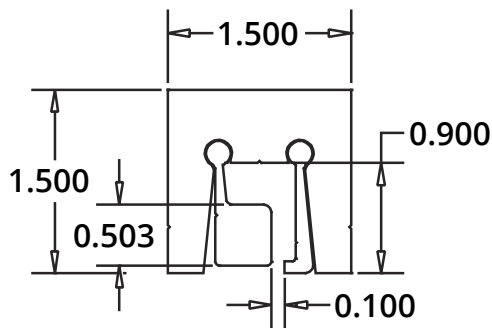
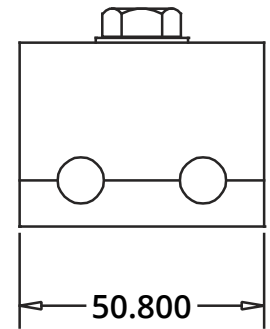
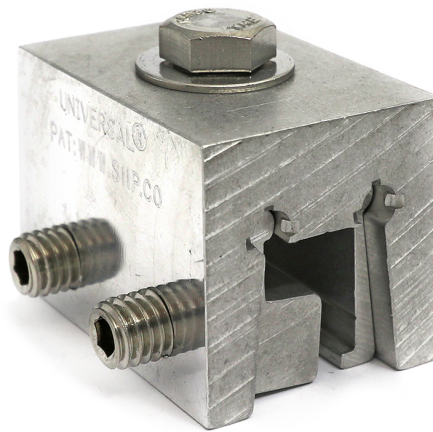
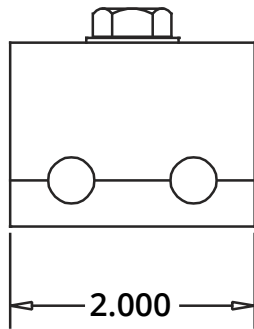


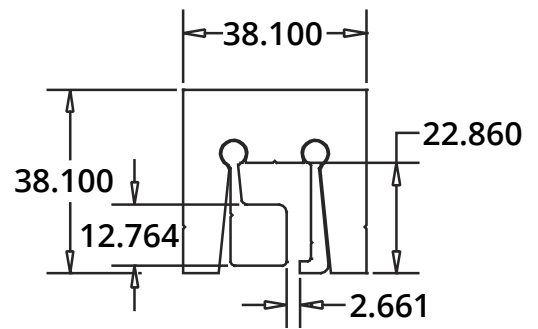
"L" Shape Hammer G2 Standing Seam Hammer



Exploded view



(Inches)



(Millimeters)



UNIVERSAL® CLAMP - 2-INCH STANDARD BODY

PART NO. SI105

Recommended
Screw Tension

Perpendicular Pull
Test Results

Parallel Pull
Test Results

16-20 ft/lb

3,151 lbf.

2,251 lbf.