



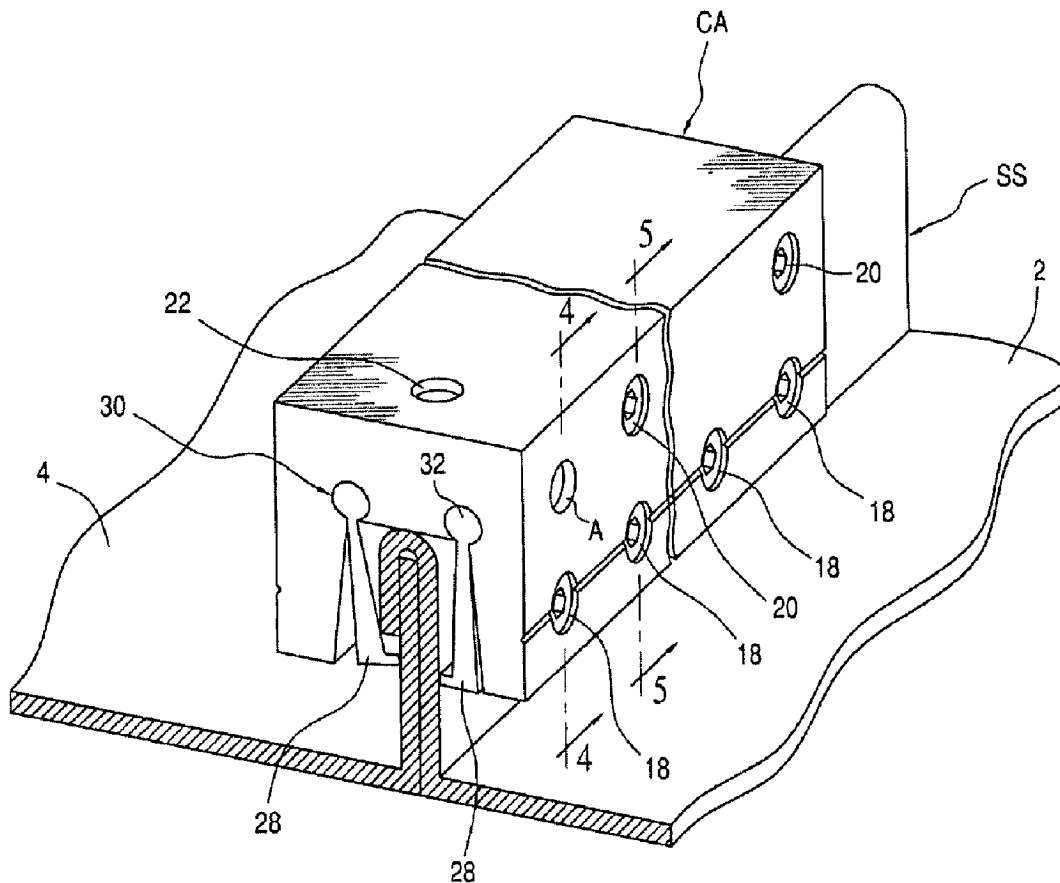
(12) **DEMANDE DE BREVET CANADIEN  
CANADIAN PATENT APPLICATION**

(13) **A1**

(22) Date de dépôt/Filing Date: 2011/12/12  
(41) Mise à la disp. pub./Open to Public Insp.: 2012/11/27  
(30) Priorité/Priority: 2011/05/27 (US13/118,308)

(51) Cl.Int./Int.Cl. *F16B 2/10* (2006.01),  
*E04B 1/38* (2006.01), *E04D 3/36* (2006.01),  
*F16B 1/00* (2006.01), *F16M 7/00* (2006.01)  
(71) Demandeur/Applicant:  
HEADER, GREGORY A., US  
(72) Inventeur/Inventor:  
HEADER, GREGORY A., US  
(74) Agent: BULL, HOUSSER & TUPPER LLP

(54) Titre : COLLIER POUR MATERIAU A BRIDE ET JOINT DEBOUT  
(54) Title: FLANGED MATERIAL AND STANDING SEAM CLAMP



(57) **Abrégé/Abstract:**

A clamping assembly for attaching loads to various kinds of flanged seams, the assembly comprising a generally U-shaped clamp body, at least one clamping hammer disposed interior of the clamp body, the clamping hammer being hingedly secured to the

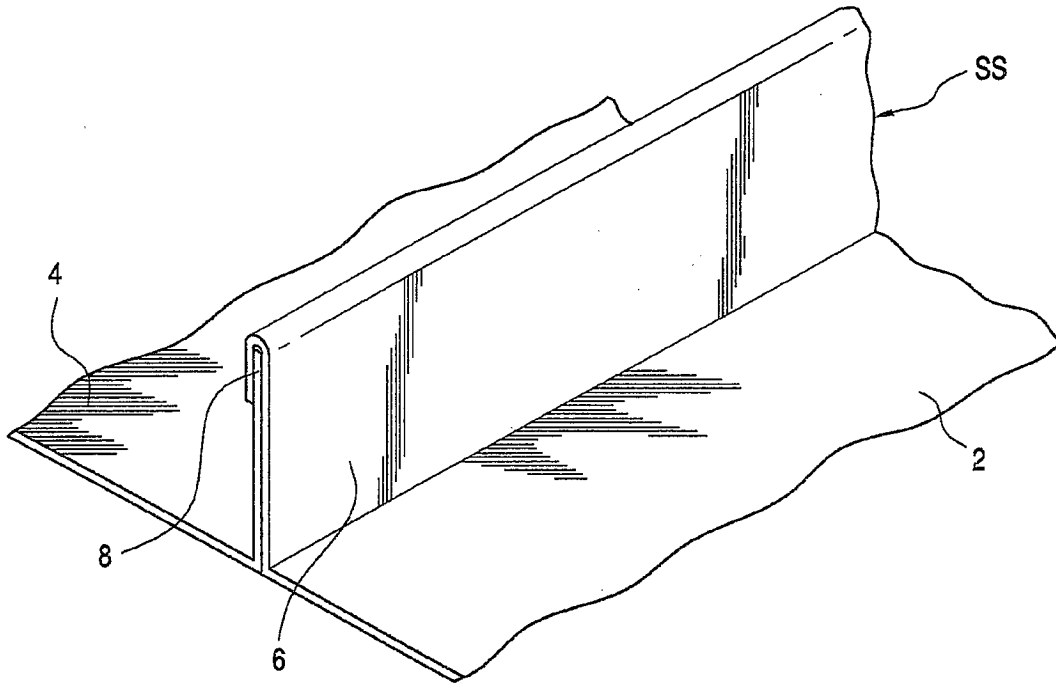


FIG. 1

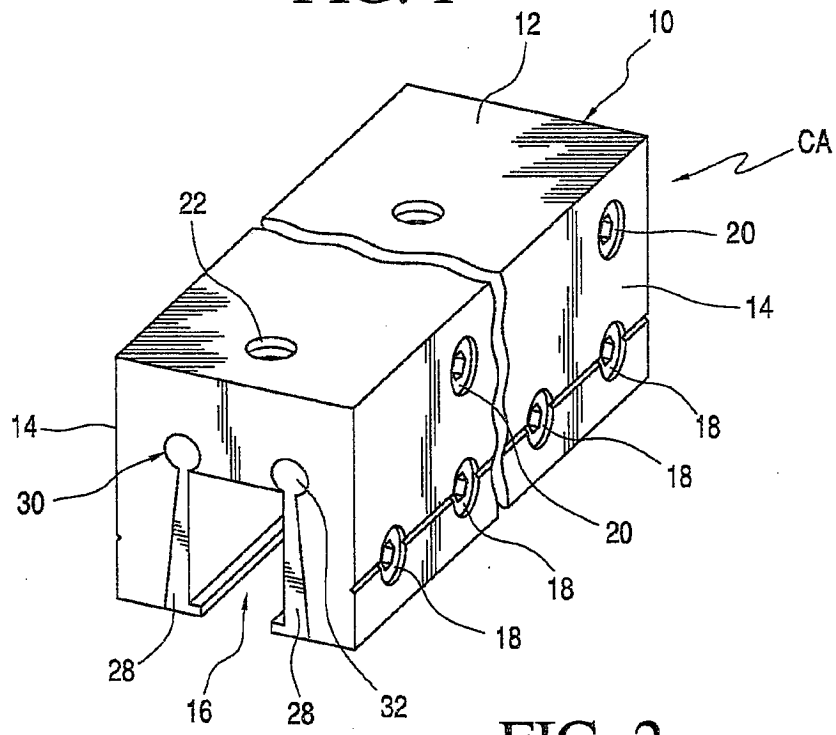
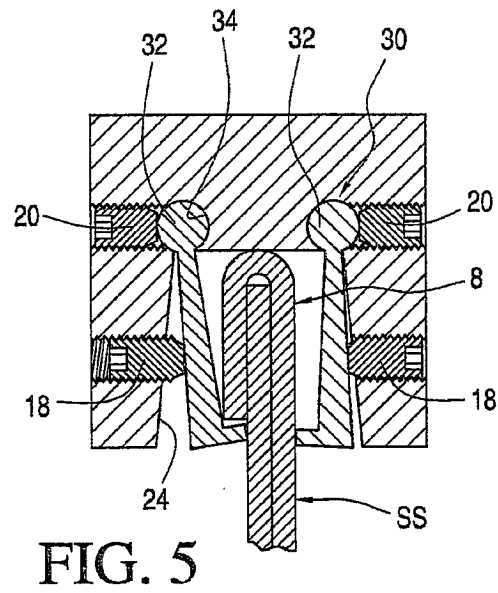
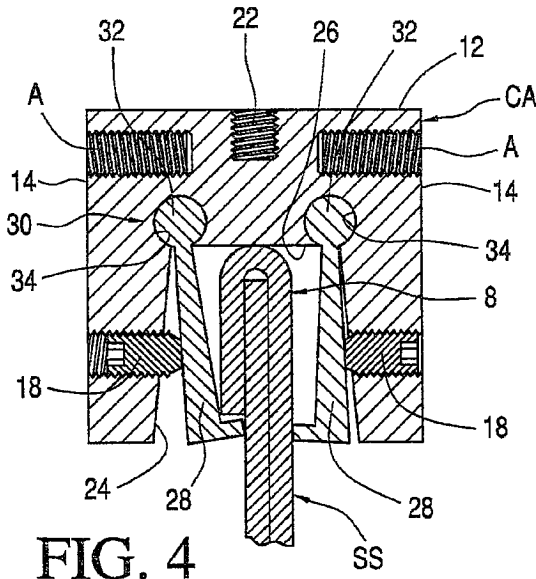
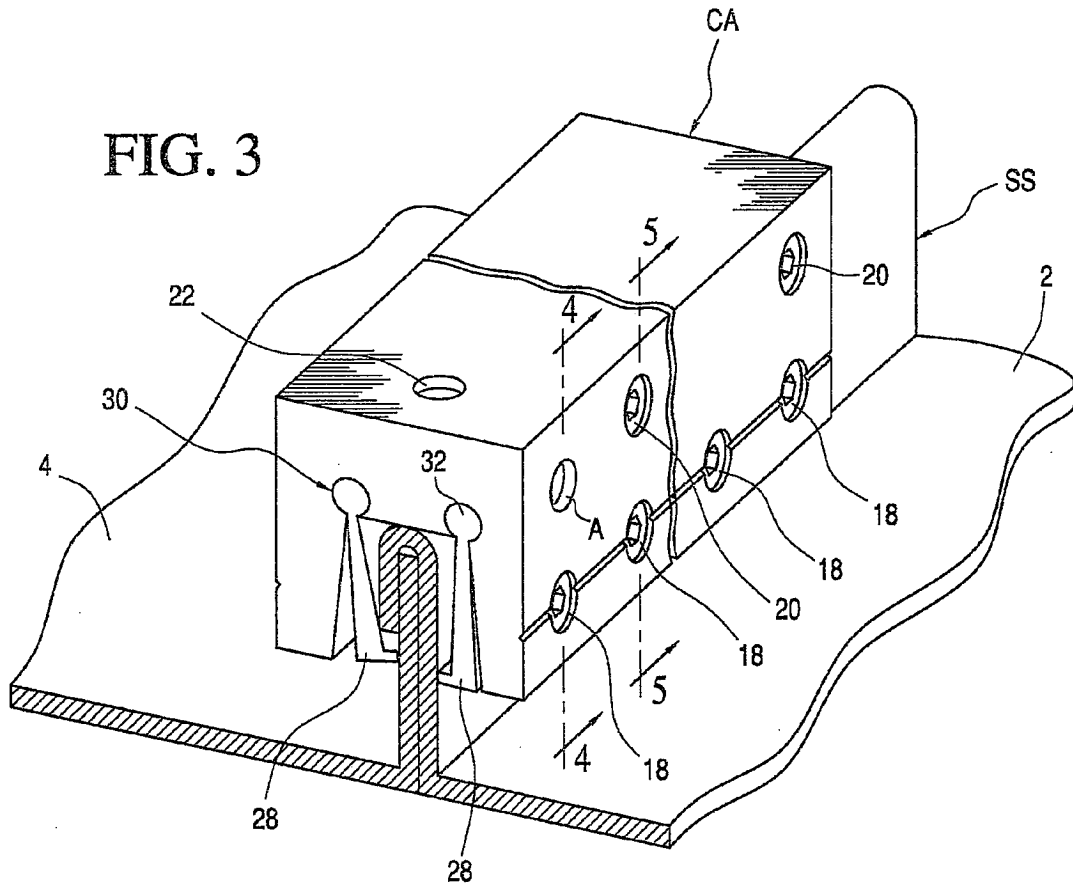


FIG. 2



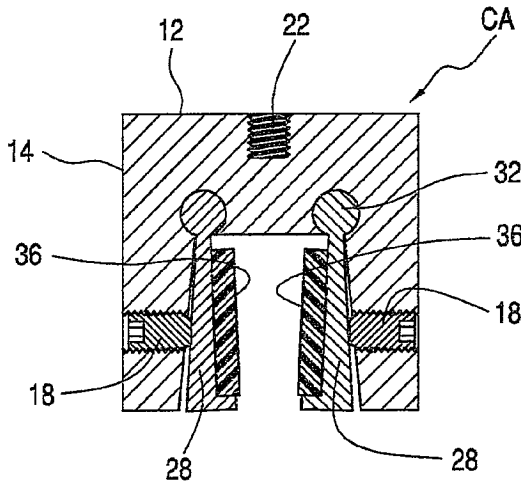


FIG. 6

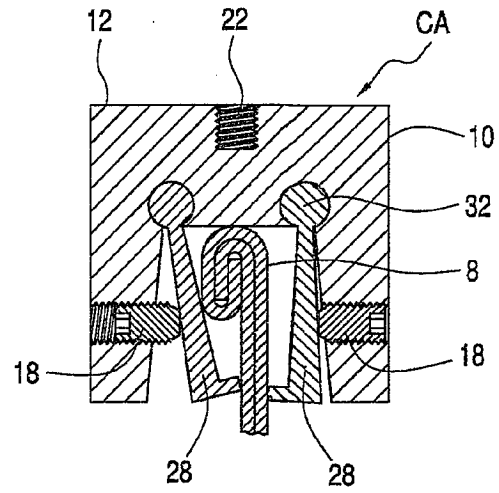


FIG. 7

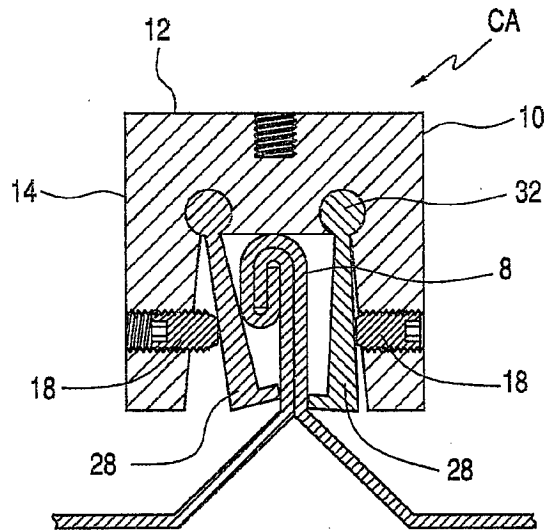


FIG. 8

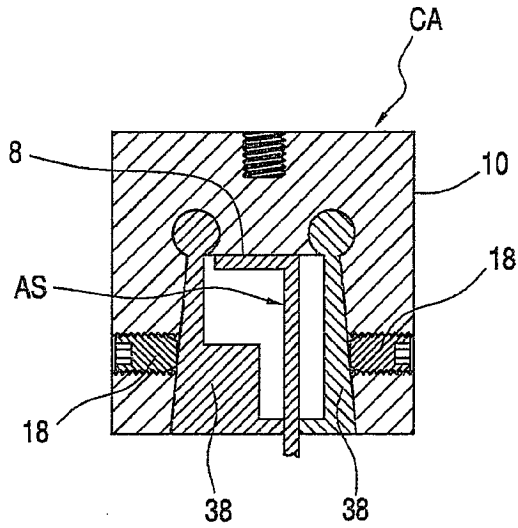


FIG. 9

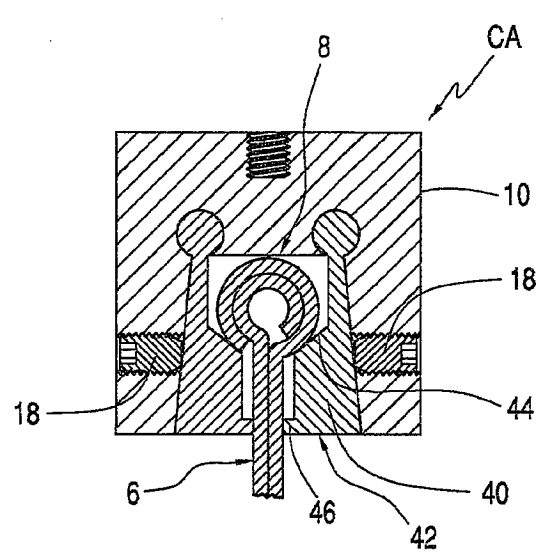


FIG. 10

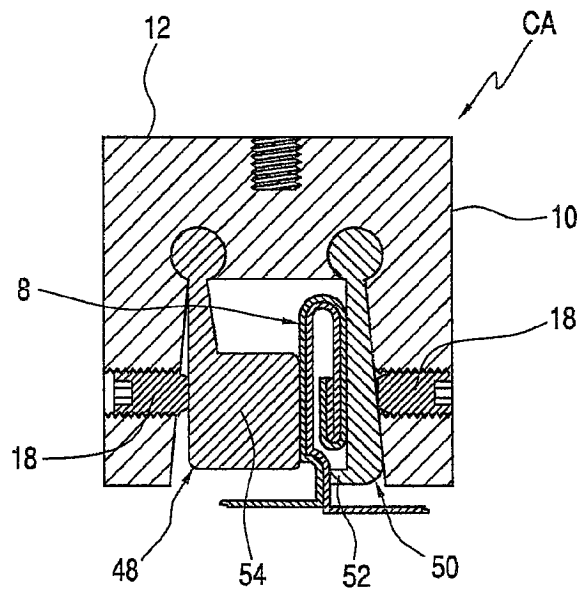


FIG. 11

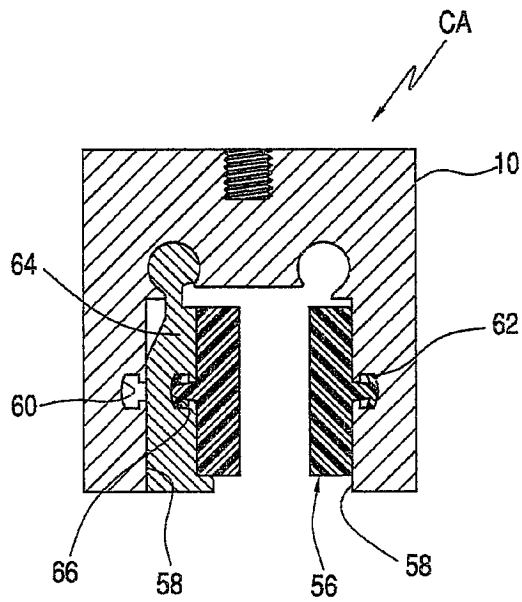


FIG. 12

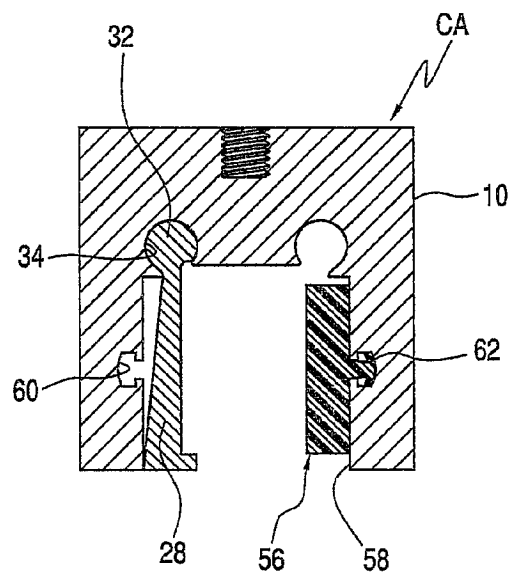


FIG. 13

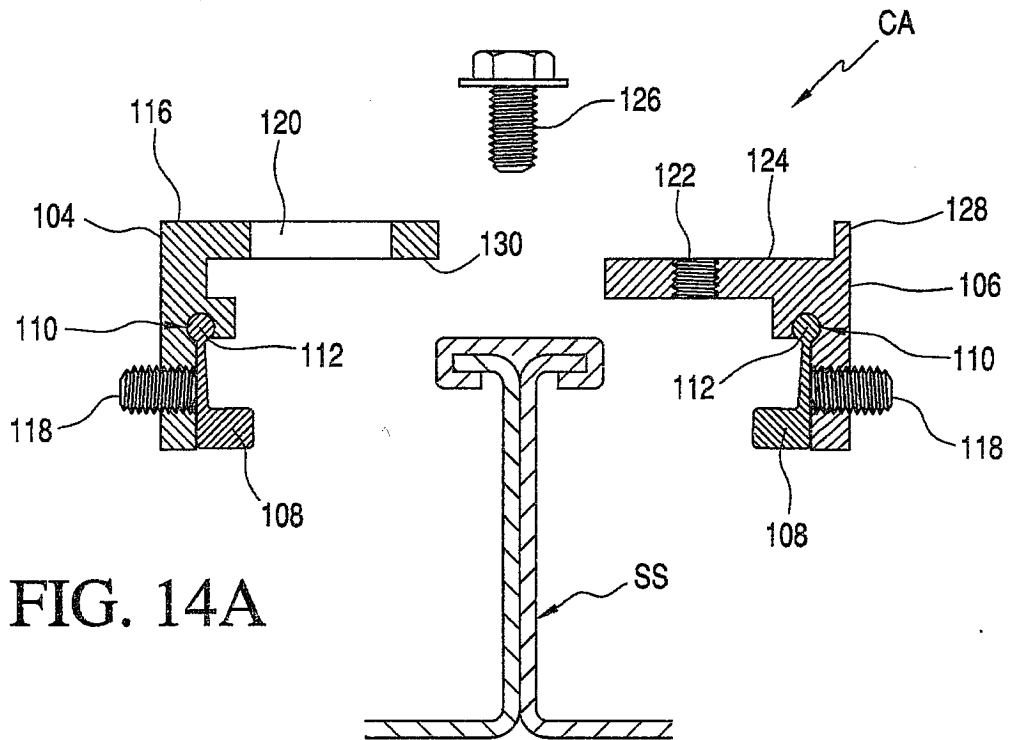


FIG. 14A

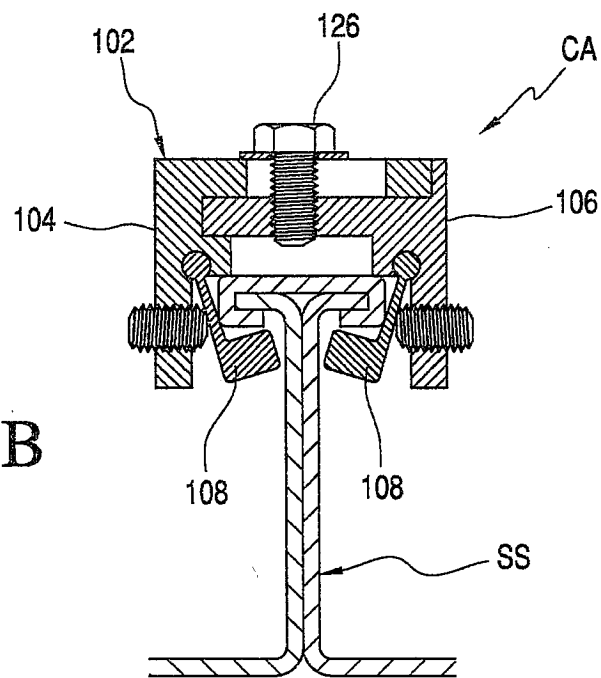


FIG. 14B

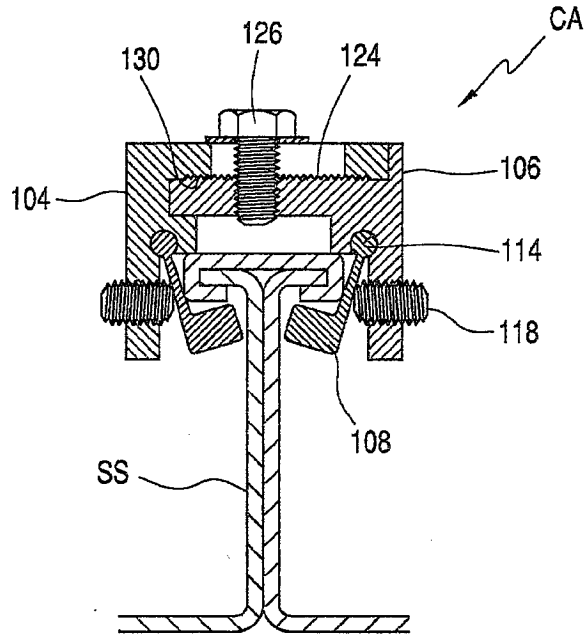


FIG. 15

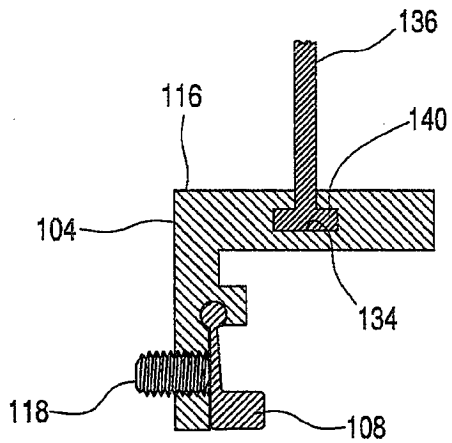


FIG. 16A

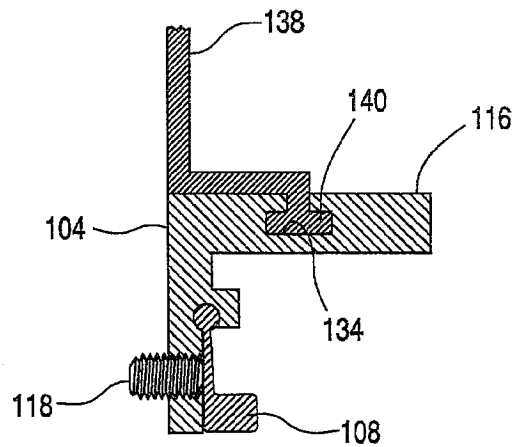


FIG. 16B



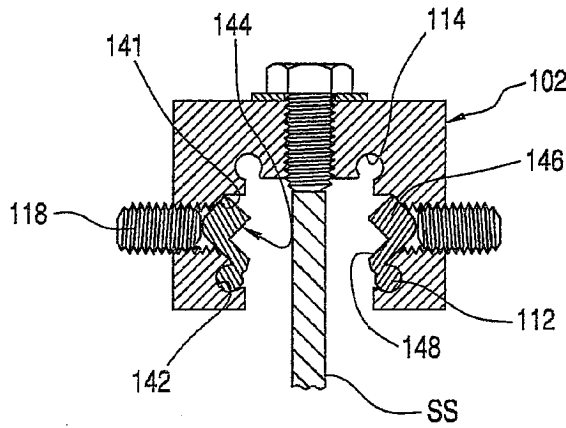


FIG. 17A

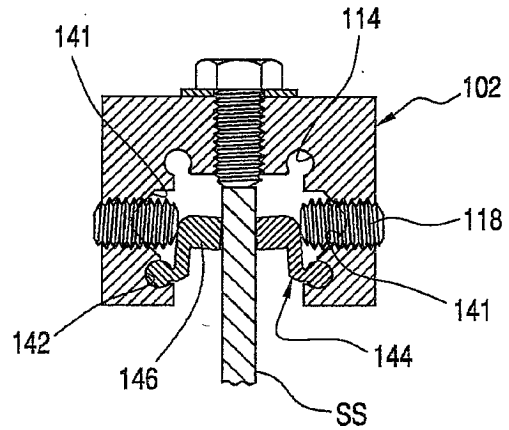


FIG. 17B

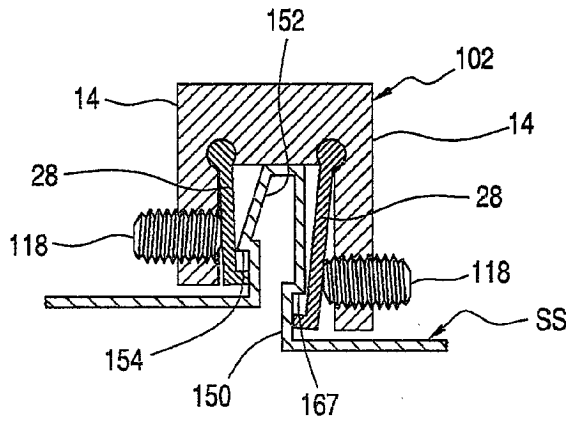


FIG. 18

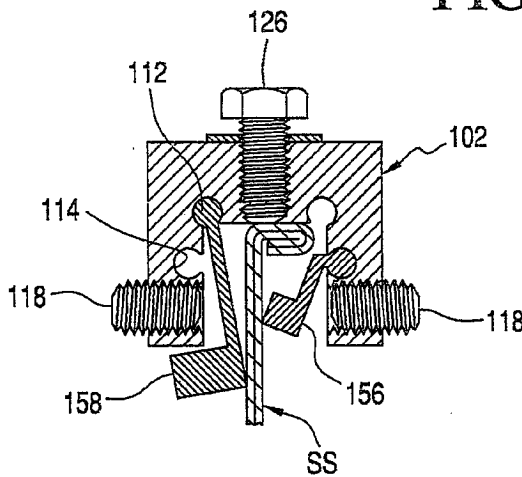


FIG. 19

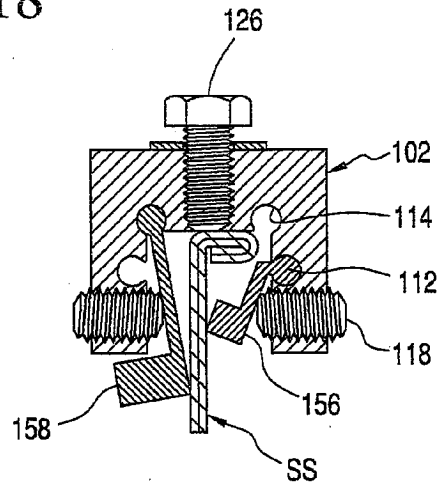


FIG. 20

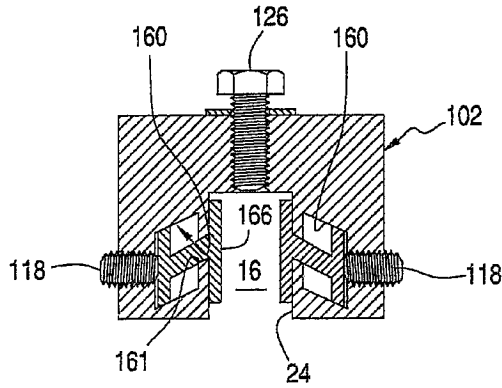


FIG. 21

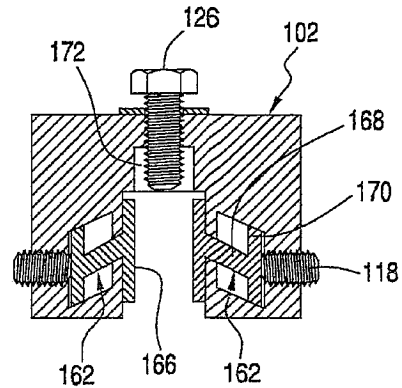


FIG. 22

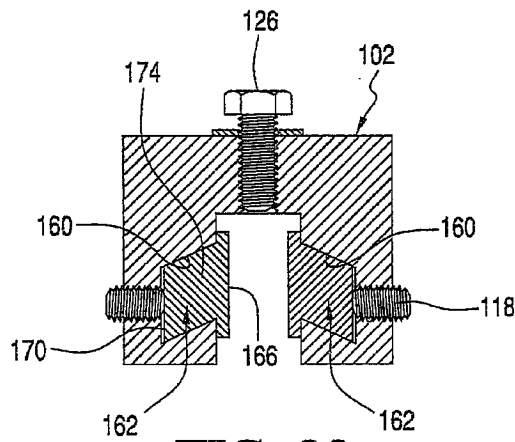


FIG. 23

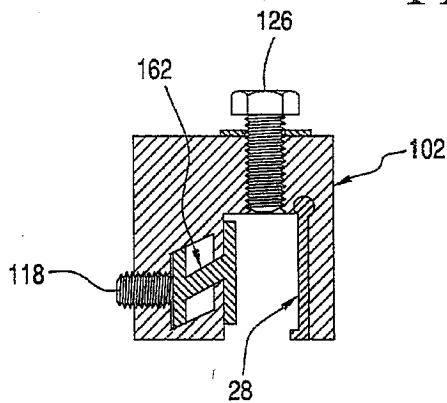


FIG. 24

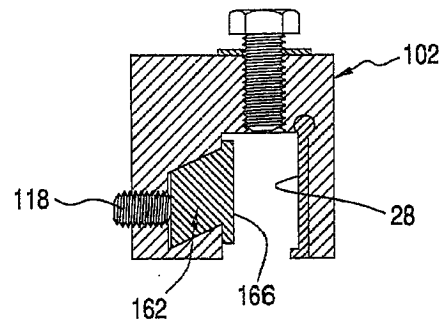


FIG. 25

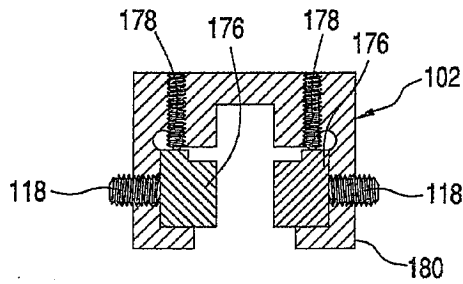


FIG. 26

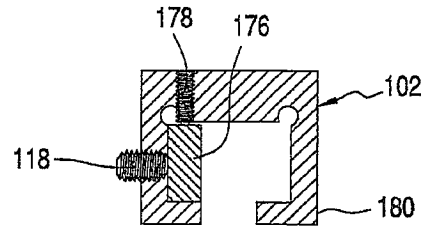


FIG. 27A

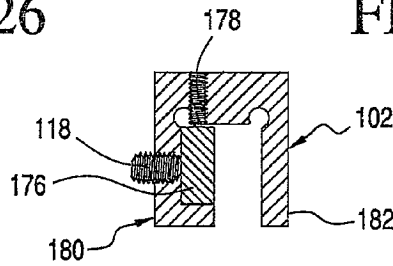


FIG. 27B

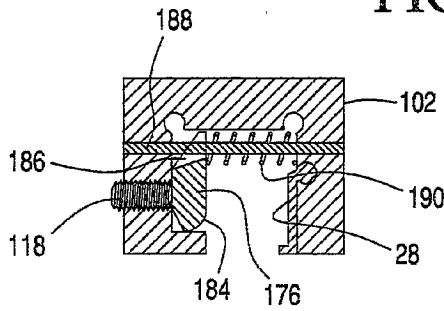


FIG. 28A

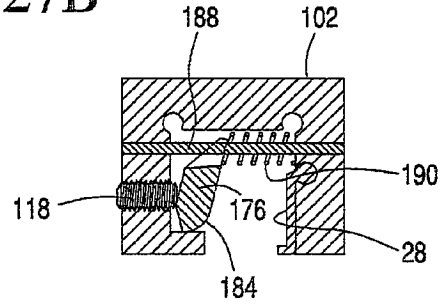


FIG. 28B

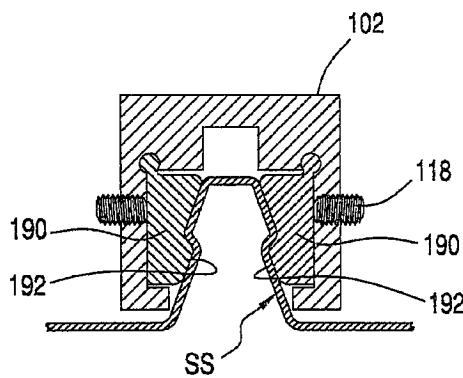


FIG. 29A

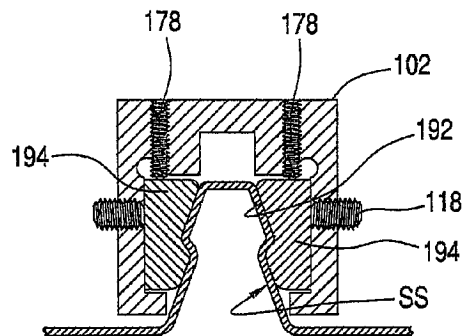


FIG. 29B

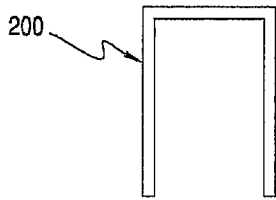


FIG. 30

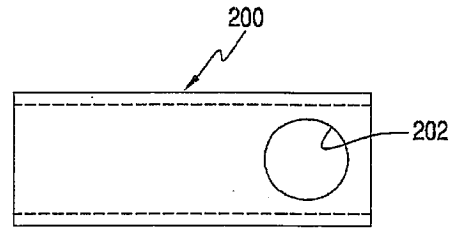


FIG. 31

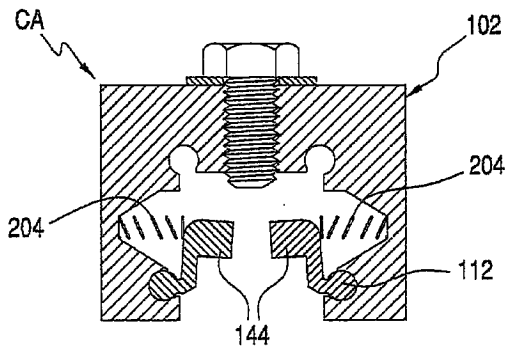


FIG. 32

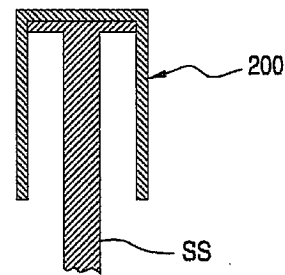


FIG. 33

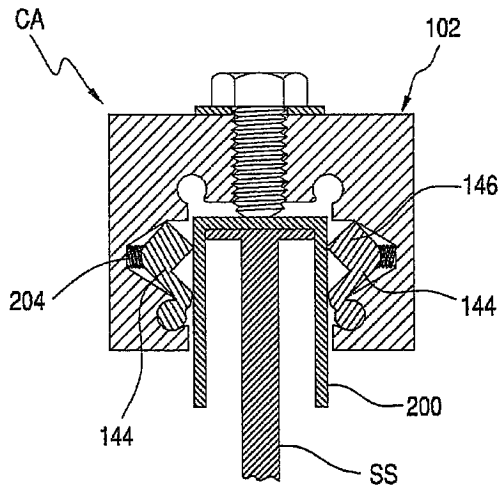


FIG. 34A

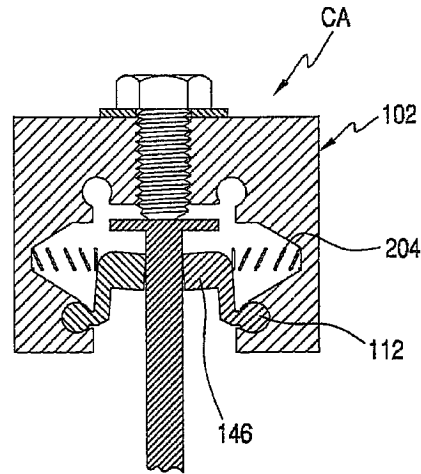


FIG. 34B

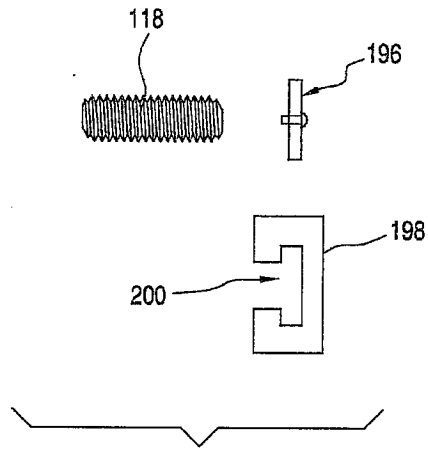


FIG. 35

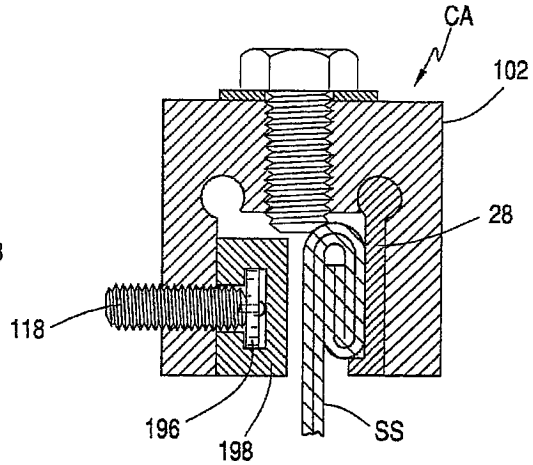


FIG. 36

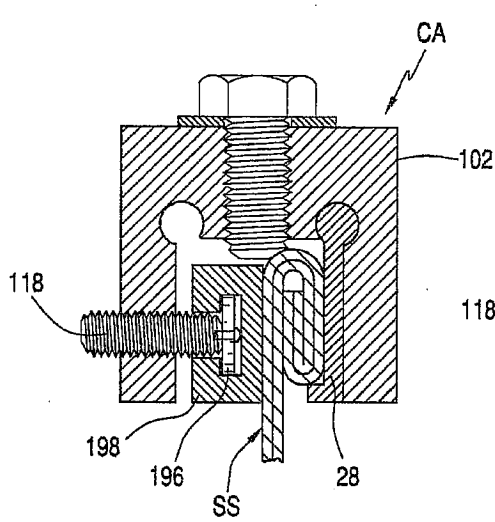


FIG. 37

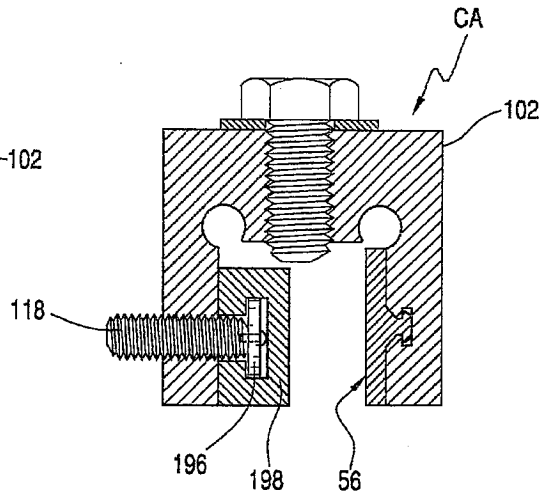


FIG. 38

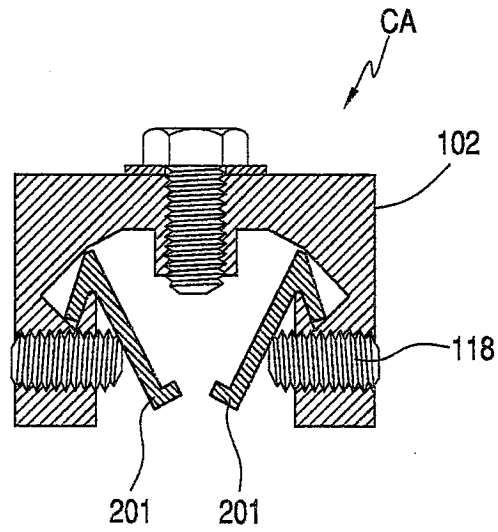


FIG. 39