

---

# **USER MANUAL**

**2.5 and 5 Gallon  
Chemical Jug**

**English**

---

## READ ALL INSTRUCTIONS BEFORE OPERATING EQUIPMENT

# **WARNING**



**Read this manual completely and understand the unit before operating or servicing it.**

- Always wear appropriate personal protective equipment (PPE) when operating or servicing jug.
- Always follow all chemical safety precautions and handling instructions provided by the chemical manufacturer and Safety Data Sheet (SDS).
- Always flush the jug with fresh water when switching from an alkaline to an acid or an acid to an alkaline.
- Do not exceed a fluid temperature of 100°F (37°C).
- Never use unit with hydrocarbons or flammable products.

### **PROTECT THE ENVIRONMENT**

Please dispose of packaging materials, old machine components, and hazardous fluids in an environmentally safe way according to local waste disposal regulations.



Always remember to recycle.

\*Specifications and parts are subject to change without notice.

## READ ALL INSTRUCTIONS BEFORE OPERATING EQUIPMENT

OPTIONS -						
	Capacity	Cap Color	Suction Fitting	Rack		Tank Color
J	2.5 gallons <b>(2.5)</b>	Black <b>(BK)</b>	Not included <b>(standard)</b>	Not included <b>(standard)</b>	-	Natural <b>(standard)</b>
	5 gallons <b>(5)</b>	Blue <b>(BL)</b>	Included <b>(S)</b>	Included <b>(R)</b>		Blue <b>(BL)</b>
		Green <b>(GN)</b>				Brown <b>(BNT)</b>
		Red <b>(RD)</b>				Green <b>(GN)</b>
		Yellow <b>(YL)</b>				Purple <b>(PLT)</b>
						Red <b>(RD)</b>
					Yellow <b>(YL)</b>	

Add bold option codes to item number as shown. For standard options, no option code is needed.

Examples:

- J2.5BK (standard 2.5 gallon jug with black cap)
- J5BKSR (5 gallon jug with black cap, suction fitting, and rack)
- J2.5BL (2.5 gallon jug with blue cap)
- J2.5BK-GN (2.5 gallon green jug with black cap)

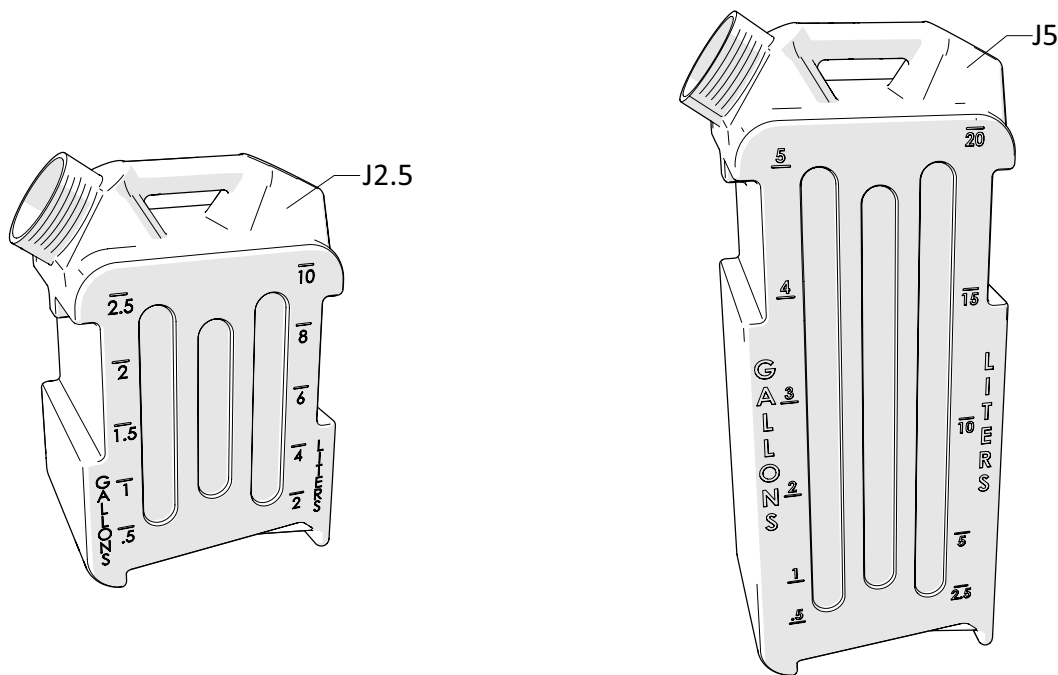
REQUIREMENTS	
Liquid temperature range	40-100°F (4.4-37°C)
Chemical compatibility	Chemical products used with this equipment must be formulated for this type of application and compatible with unit materials and pump seals. For more information on chemical compatibility, consult the manufacturer or SDS for your product or contact our customer service department.

SPECIFICATIONS		
	2.5 GALLON JUG	5 GALLON JUG
Capacity	2.5 gallons (9.46 liters)	5 gallons (18.93 liters)
Tubing/fittings sizes	Jugs with suction fitting option include fittings for 1/4 in. (6.4 mm) inside diameter hose	

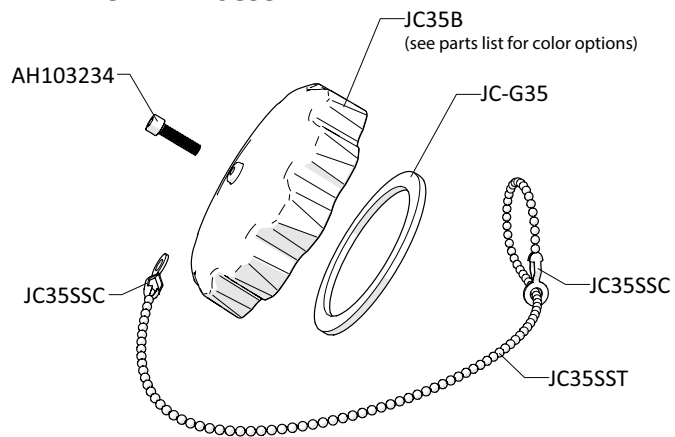
# READ ALL INSTRUCTIONS BEFORE OPERATING EQUIPMENT

## PARTS DIAGRAMS

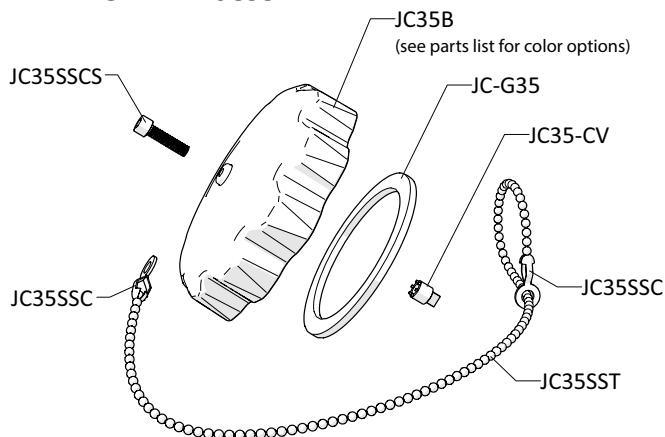
### JUG BODY



### UNVENTED CAP WITHOUT SUCTION FITTINGS ITEM NUMBER: JC35B-TA



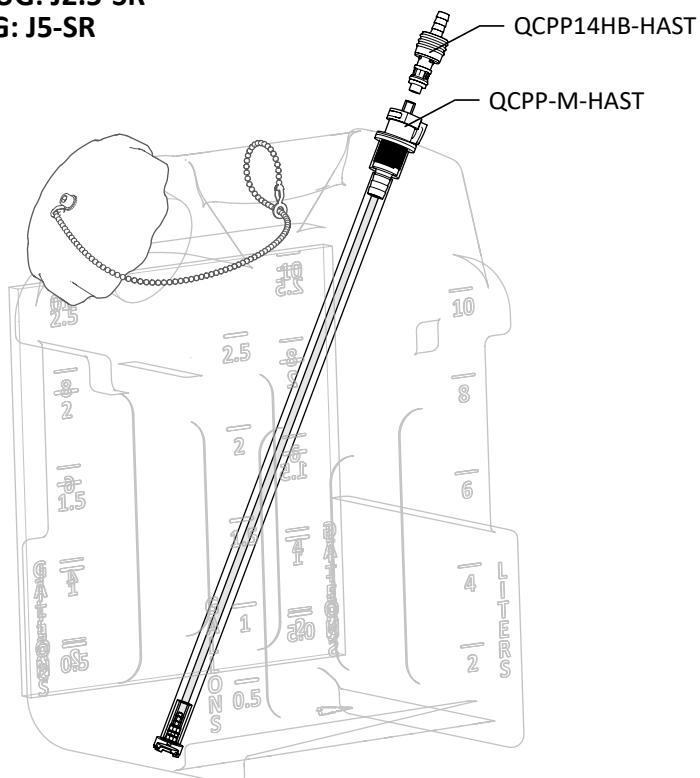
### ONE-WAY VENTED CAP WITH SUCTION FITTINGS ITEM NUMBER: JC35B-TAV



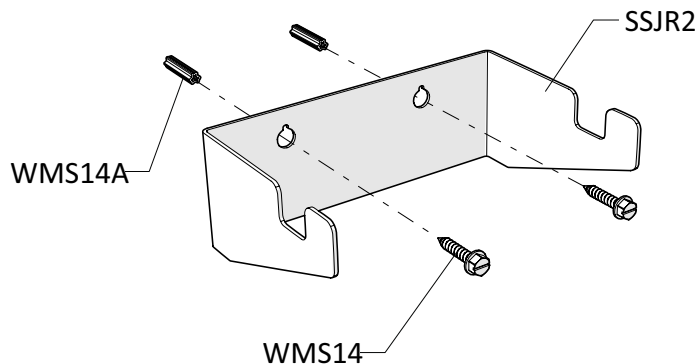
## READ ALL INSTRUCTIONS BEFORE OPERATING EQUIPMENT

### PARTS DIAGRAMS (CONTINUED)

**SUCTION FITTINGS REPLACEMENT KIT**  
ITEM NUMBER FOR 2.5 GALLON JUG: J2.5-SR  
ITEM NUMBER FOR 5 GALLON JUG: J5-SR



**STAINLESS STEEL JUG RACK**  
ITEM NUMBER: SSJR2



**READ ALL INSTRUCTIONS BEFORE OPERATING EQUIPMENT**

ITEM NUMBER	DESCRIPTION
AH103234	10-32 X 3/4 SOC CAP SCR 18-8 PLN
J2.5	2.5 GALLON POLYETHYLENE JUG
J5	5 GALLON POLYETHYLENE JUG
JC35B	BLACK 3.5 INCH ONE WAY VENTED CAP ASSEMBLY - INCLUDES CAP, GASKET, AND CHECK VALVE
JC35BL	BLUE 3.5 INCH ONE WAY VENTED CAP ASSEMBLY - INCLUDES CAP, GASKET, AND CHECK VALVE
JC35GN	GREEN 3.5 INCH ONE WAY VENTED CAP ASSEMBLY - INCLUDES CAP, GASKET, AND CHECK VALVE
JC35RD	RED 3.5 INCH ONE WAY VENTED CAP ASSEMBLY - INCLUDES CAP, GASKET, AND CHECK VALVE
JC35YL	YELLOW 3.5 INCH ONE WAY VENTED CAP ASSEMBLY - INCLUDES CAP, GASKET, AND CHECK VALVE
JC35B-TA	BLACK 3.5 INCH UNVENTED POLYPROPYLENE CAP-EPDM GASKET-NO CHECK VALVE-BEAD CHAIN TETHER ASSEMBLY
JC35B-TAV	BLACK 3.5 INCH ONE WAY VENTED CAP POLYPROPYLENE-EPDM GASKET AND CHECK VALVE-BEAD CHAIN TETHER ASSEMBLY
JC35-CV	EPDM CHECK VALVE FOR NON LOCKABLE JUG CAP
JC-G35	JUG CAP GASKET 3.5 INCH CAP VITON
JC35SSC	304 SS END COUPLING FOR SIZE 8-10, ROUND BEAD CHAIN
JC35SSCS	VENTED 18-8 SS SOCKET HEAD CAP SCREW, 10-32 THREAD, 3/4 INCH LENGTH .046 VENT DIAMETER
JC35SST	ROUND BEAD CHAIN, TYPE 304 SS
J2.5-SR	2.5 GALLON SUCTION FITTINGS REPLACEMENT KIT (SUCTION TUBE, COUPLER, PLUG)
J5-SR	5 GALLON SUCTION FITTINGS REPLACEMENT KIT (SUCTION TUBE, COUPLER, PLUG)
QCPP14HB-HAST	1/4IN IN-LINE HOSE BARB-POLYPRO BODY-HASTELLOY SPRING
QCPP-M-HAST	3/8IN PANEL MOUNT SOCKET-SUCTION 3/8 ID X QUICK CONNECT-HASTELLOY SPRING
SSJR2	SS RACK TO MOUNT CHEMICAL JUG-INCLUDES MOUNTING HARDWARE
WMS14	14 X 1 1/4 HEX W/H SMS SLOTT-SS
WMS14A	5/16 X 1 1/2 STRAIGHT PLASTIC ANCHOR