



# POTATO PEELER PP-12+ / PPC-12+

Output: 12 Kg. per cycle. Aluminium made potato peeler.



## FEATURES AND BENEFITS

Aluminium body potato peeler. Abrasive peeling. The abrasive is highly resistant and long lasting.

- ✓ Base Plate and chamber walls lined with abrasive.
- ✓ Aluminium body.
- ✓ PPC: Equipped with attachment drive to power accessories.
- ✓ Directable cylinder.
- ✓ Integral control panel complete with on/off push buttons and a 0-6 minute timer.

## SALES DESCRIPTION

PPC: Equipped with attachment drive to power accessories.

## INCLUDES

- ✓ Attachment drive to power accessories (PPC model).

## ACCESSORIES

- Vegetable preparation attachment CR-143
- Meat mincer attachment HM-71
- Potato masher attachment P-132
- Stands for potato peelers
- Filters for potato peelers



**sammic** | [www.sammic.com](http://www.sammic.com)  
Food Service Equipment Manufacturer

Polígono Basarte, 1. phone +34 943 15 72 36  
20720 Azkoitia, Spain [sales@sammic.com](mailto:sales@sammic.com)



Project	Date
Item	Qty
Approved	

DYNAMIC PREPARATION  
COMMERCIAL POTATO PEELERS

product sheet  
updated 22/03/2019



# POTATO PEELER PP-12+ / PPC-12+

Output: 12 Kg. per cycle. Aluminium made potato peeler.



## SPECIFICATIONS

Hourly production: 220 Kg / 270 Kg

Capacity per load: 12 Kg

Timer (min-max): 0' - 6'

Plate speed: 317 rpm

### External dimensions (WxDxH)

✓ Width: 395 mm

✓ Depth: 700 mm

✓ Height: 503 mm

### External dimensions with stand

✓ Width with stand: 411 mm

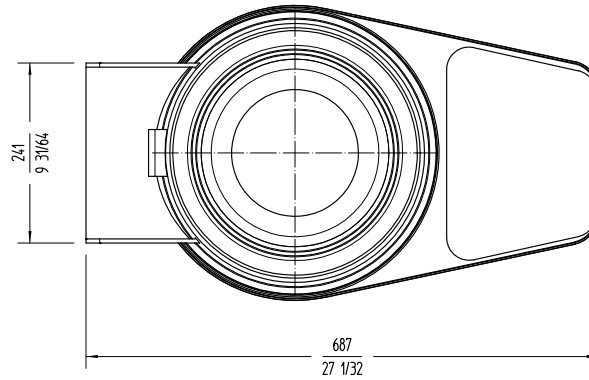
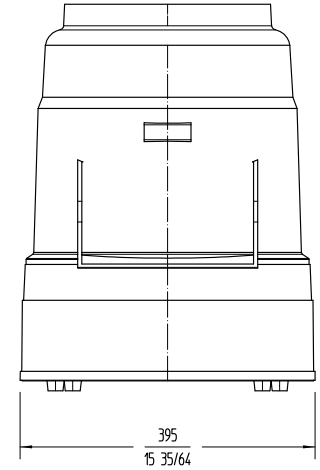
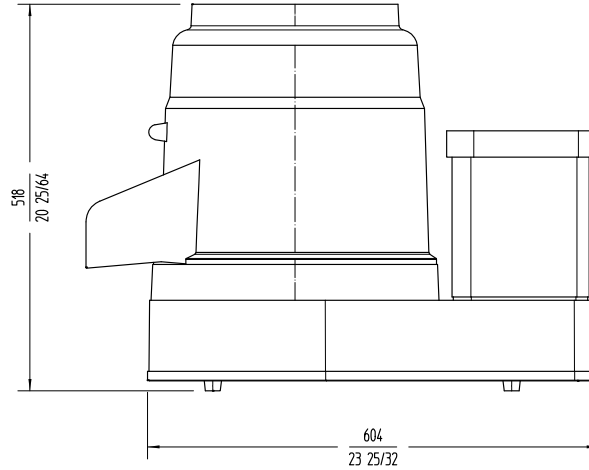
✓ Depth with stand: 700 mm

✓ Height with stand: 1015 mm

Net weight: 38 Kg

**Noise level (1m.):** 70 dB(A)

**Background noise:** 32 dB(A)



DYNAMIC PREPARATION  
COMMERCIAL POTATO PEELERS

## AVAILABLE MODELS

1000420 Potato peeler PP-12+ 230-400/50/3 ·370W

1000421 Potato peeler PP-12+ 230/50/1 ·400W

1000440 Potato peeler PPC-12+ 230-400/50/3 ·550W

1000441 Potato peeler PPC-12+ 230/50/1 ·550W

\* Ask for special versions availability

**sammic** | www.sammic.com  
Food Service Equipment Manufacturer

Polígono Basarte, 1. phone +34 943 15 72 36  
20720 Azkoitia, Spain sales@sammic.com



Project

Date

Item

Qty

Approved

product sheet  
updated 22/03/2019