



FOOD PROCESSOR SK-3

To chop, mash, mix, knead, emulsify any product in few seconds



FEATURES AND BENEFITS

- ✓ Removable stainless steel bowl.
- ✓ Electronic control board.
- ✓ Electronic continuous variable speed control.
- ✓ Upper lid with hole to add liquids while operating.
- ✓ Equipped with safety micro switch.

SALES DESCRIPTION

Bowl capacity of 3 lt. (3 1/8 qt.)

INCLUDES

- ✓ Equipped with a set of standard smooth blades for general use.

ACCESSORIES

- Blades for SK/SKE
- Scraper set for SK/SKE



sammic | www.sammic.com
Food Service Equipment Manufacturer

Polígono Basarte, 1. phone +34 943 15 72 36
20720 Azkoitia, Spain sales@sammic.com



Project	Date
Item	Qty
Approved	

DYNAMIC PREPARATION
CUTTER-MIXERS & EMULSIFIERS

product sheet
updated 02/08/2019



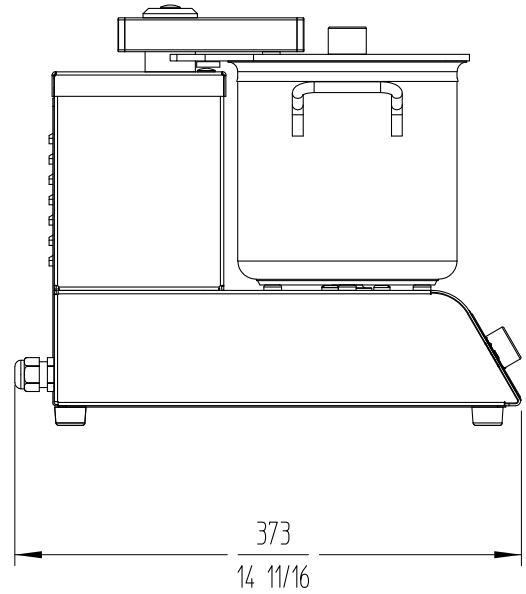
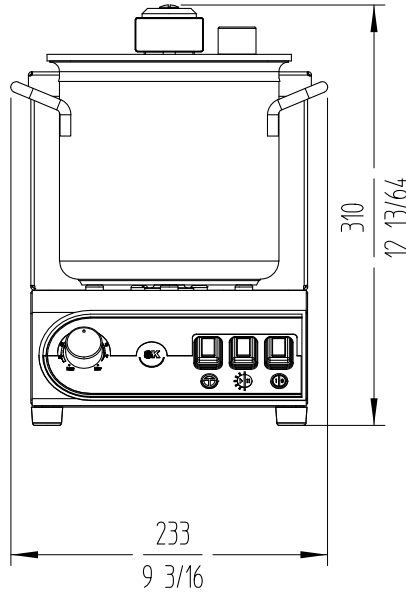
FOOD PROCESSOR SK-3

To chop, mash, mix, knead, emulsify any product in few seconds



SPECIFICATIONS

- Bowl capacity: 3 l
- Bowl dimensions: Ø160 mm x 160 mm
- Total loading: 500 W
- Speed, min-max: 450 rpm - 3000 rpm
- External dimensions (WxDxH)**
 - ✓ Width: 240 mm
 - ✓ Depth: 370 mm
 - ✓ Height: 305 mm
- Net weight: 11 Kg
- Noise level (1m.): <70 dB(A)
- Background noise: 32 dB(A)



DYNAMIC PREPARATION
CUTTER-MIXERS & EMULSIFIERS

AVAILABLE MODELS

- 1050074 Food processor SK-3 120/50-60/1
- 1050080 Food processor SK-3 230/50-60/1
- 2051938 Scraper SKE-3

* Ask for special versions availability

sammic | www.sammic.com
Food Service Equipment Manufacturer

Polígono Basarte, 1. phone +34 943 15 72 36
20720 Azkoitia, Spain sales@sammic.com



Project	Date
Item	Qty
Approved	

product sheet
updated 02/08/2019