



## WMB3F/B - Lincat FilterFlow WMB Wall Mounted Automatic Fill Boiler - Black Glass - W 300 mm - 3.0 kW

The FilterFlow Automatic Wall Mounted Water Boiler is designed for small spaces and provides hot water on tap 24/7 as well as a built-in water filtration system.

- ✓ High quality boiling water on tap 24 hours a day
- ✓ Wall mounted, compact design
- ✓ Built-in water filtration system improves water quality and reduces scale build-up. High volume, easy change FilterFlow cartridge

### Specifications

Summary		Power and Performance	
<b>Brand</b>	Lincat	<b>Total Power kW</b>	3.0
<b>Range</b>	FilterFlow	<b>Temperature Range °C</b>	70-96
<b>Series</b>	WMB Wall-mounted Boiler	<b>IP Rating</b>	IP23
<b>Power Type</b>	Electric	<b>Hourly Output Litres</b>	31
<b>Unit Type</b>	Wall-mounted	<b>Hourly Output Cups</b>	205
<b>Available in UK Only</b>	No		
<b>UK Warranty</b>	2 Years Parts and Labour Warranty		
<b>Export Warranty</b>	Contact your local dealer		
<b>GTIN</b>	5056105101406		

Key Specifications		Capacity	
<b>Capacity Litres</b>	3.5	<b>Hot and Cold Water Output</b>	No
<b>Outlet</b>	Single Tap	<b>Rapid Draw Off Litres</b>	3.5
<b>Dispense Lock</b>	No	<b>Rapid Draw Off Cups</b>	23
<b>WRAS Approved</b>	Yes		

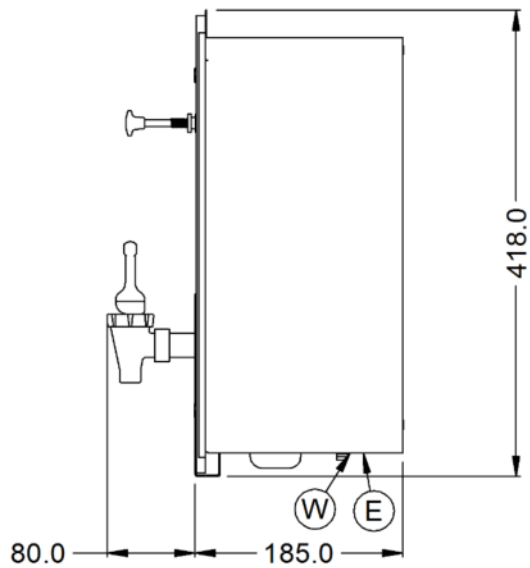
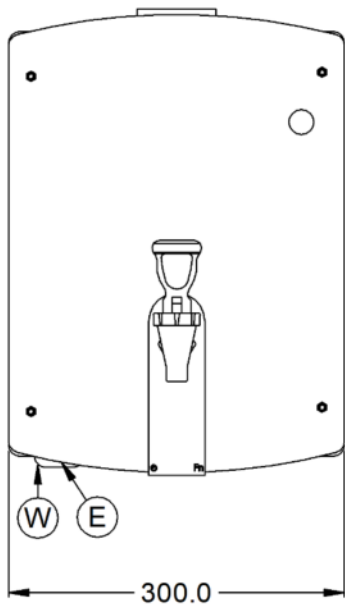
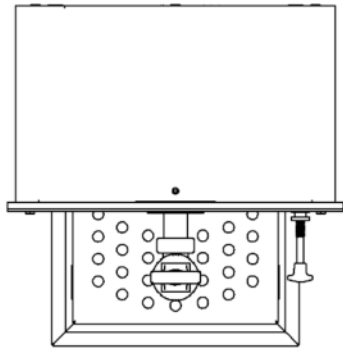
Weights and Dimensions		Supply Connections	
<b>Unit Height (External) mm</b>	418	<b>Requires Installation</b>	Yes
<b>Unit Width (External) mm</b>	300	<b>Requires Electrical Supply</b>	Yes
<b>Unit Depth (External) mm</b>	185	<b>UK 3 Pin Plug</b>	No
<b>Net Weight Kg</b>	8.7	<b>Requires Hardwiring</b>	Yes
		<b>Electrical Supply Rating Watts</b>	3,000
		<b>Single Phase Amps</b>	13
		<b>Single Phase Voltage</b>	230
		<b>Water Connection Pressure Bar</b>	1.0-8.0
		<b>Water Connection</b>	3/4"

Shipping	
<b>Packed Weight Kg</b>	10.5
<b>Packed Height cm</b>	42
<b>Packed Width cm</b>	48
<b>Packed Depth cm</b>	38

### Available Accessories

<b>DP10</b>	DESCALER POWDER
<b>DR72</b>	WMB3F DRIP TRAY
<b>FC02</b>	FILTER CARTRIDGE - 1 MICRON

**Technical Picture**



**Lincat Limited**

Whisby Road,  
Lincoln, LN6 3QZ,  
United Kingdom

**Company No:** 2175448

A member company of



**Customer Care**

**Tel:** +44 1522 875500  
**Email:** care@lincat.co.uk

**Export Customers**

**Tel:** +44 1522 503250  
**Email:** export@lincat.co.uk

**Opening Hours**

**Monday – Friday:**  
8.30am – 5pm