

Family
COOKING EQUIPMENT STAR 90

Section
SOLID TOP

Model
NT98G

Code
CR0590290

SOLID TOP GAS HOTPLATE

Solid top gas hotplate constructed entirely in AISI 304 stainless steel. 20/10 thick top, designed for flush alignment and to accommodate the water column accessory.

Radiant hotplate in a heavy gauge cast iron with fins for optimum heat diffusion and central bullseye. Heating by means of a high-power double-crown burner in cast iron for temperatures of up to 500°C in the centre of the hotplate and 200 °C near the edges, complete with pilot burner and safety thermocouple. Gas supply controlled by safety tap with thermocouple. Automatic piezoelectric ignition. Hotplate dimensions: 780x700 mm. IPX5 protection rating.



Technical data

Width mm:	800	Internal dim. oven mm:	
Depth mm:	900	Oven capacity:	
Height mm:	250	Oven power kW:	
Weight kg.:	96.00	Qty heating zones:	1 x 11 kW
Volume m ³ :	0.50	Plate dim. mm:	780x700
Power supply:		Dim. heating zone mm:	
Gas power kW:	11.00	Qty tank:	
Electric power kW:		Tank dim. mm:	
		Tank capacity l:	

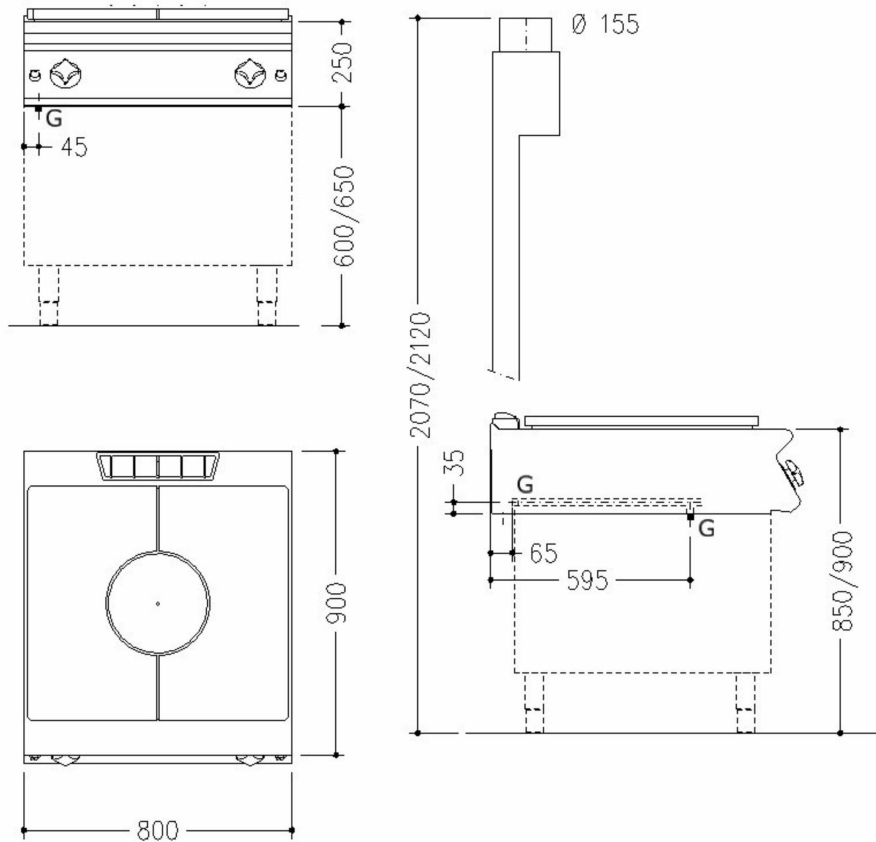
Family
COOKING EQUIPMENT STAR 90

Section
SOLID TOP

Model
NT98G

Code
CR0590290

SOLID TOP GAS HOTPLATE



Legend

(E) Socket 1:

(E) Socket 2:

(G) Gas: Ø1/2" - H=670mm

(AD) Softened water:

(AF) Cold water:

(AC) Hot water:

(S) Draining 1:

(S) Draining 2:

(FR) In e out freon:

(V) Steam: