



## LRG2 - Lincat Lynx 400 Electric Counter-top Twin Ribbed Grill - Ribbed Upper & Smooth Lower Plates - W 623 mm - 4.5 kW

Heat food rapidly and seal in all the juices and flavour with the Twin-Head 2 x 2.25kW Lynx 400 Electric Ribbed Grill which comes with both ribbed and smooth plates.

- ✓ Twin head model with ribbed upper plates and smooth lower plates - ideal where space is limited
- ✓ Fast heat up from cold
- ✓ Enamelled cast iron plates give excellent heat retention and are easy to clean
- ✓ 1 kW element in upper plate and 1.25 kW in lower plate gives balanced cooking - no need to turn food
- ✓ Thermostatic control for accurate repeatable results
- ✓ Ideal for fast cooking of meat products
- ✓ Well balanced, smooth action mechanism with positive 'park' position for safe and easy operation
- ✓ Supplied with two cables and two plugs for easy installation

### Specifications

#### Summary

|                             |                                   |
|-----------------------------|-----------------------------------|
| <b>Brand</b>                | Lincat                            |
| <b>Range</b>                | Lynx 400                          |
| <b>Power Type</b>           | Electric                          |
| <b>Unit Type</b>            | Counter-top                       |
| <b>Available in UK Only</b> | No                                |
| <b>UK Warranty</b>          | 2 Years Parts and Labour Warranty |
| <b>Export Warranty</b>      | Contact your local dealer         |
| <b>GTIN</b>                 | 5056105101147                     |

#### Power and Performance

|  |                |
|--|----------------|
| <b>Total Power kW</b>                  | 4.50           |
| <b>IP Rating</b>                       | IP23           |
| <b>Cooking Area (Width x Depth) mm</b> | [2x] 264 x 250 |
| <b>Temperature Control</b>             | Mechanical     |

#### Key Specifications

|                                     |        |
|-------------------------------------|--------|
| <b>Top Grill Plate Surface Type</b> | Ribbed |
| <b>Grill Plate Surface Type</b>     | Smooth |
| <b>Grill Plate Material</b>         | Iron   |

#### Weights and Dimensions

|                                  |      |
|----------------------------------|------|
| <b>Unit Height (External) mm</b> | 182  |
| <b>Unit Width (External) mm</b>  | 623  |
| <b>Unit Depth (External) mm</b>  | 400  |
| <b>Net Weight Kg</b>             | 40.8 |

#### Supply Connections

|                                       |       |
|---------------------------------------|-------|
| <b>Requires Installation</b>          | No    |
| <b>Requires Electrical Supply</b>     | Yes   |
| <b>UK 3 Pin Plug</b>                  | Yes   |
| <b>Requires Hardwiring</b>            | No    |
| <b>Electrical Supply Rating Watts</b> | 4,500 |
| <b>Single Phase Amps</b>              | 19.6  |
| <b>Single Phase Voltage</b>           | 230   |

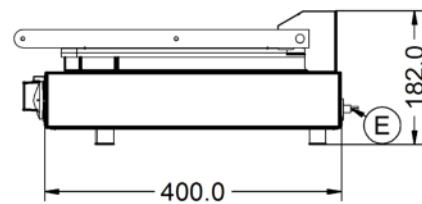
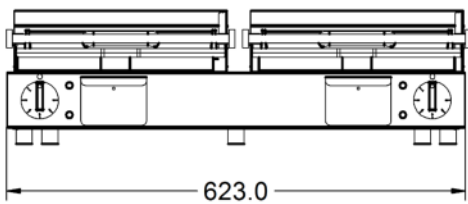
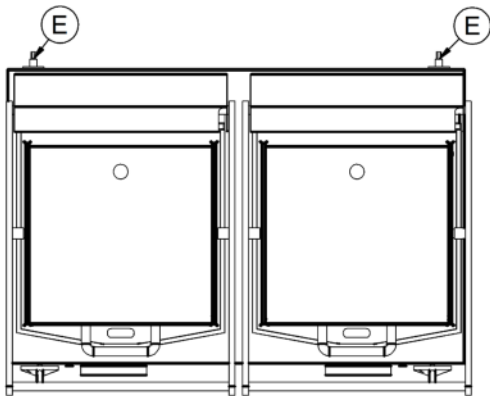
#### Shipping

|                         |      |
|-------------------------|------|
| <b>Packed Weight Kg</b> | 42.8 |
| <b>Packed Height cm</b> | 36   |
| <b>Packed Width cm</b>  | 73   |
| <b>Packed Depth cm</b>  | 61   |

### Available Accessories

|            |   |
|------------|---|
| <b>OS2</b> | OMELETTE SPACER - FOR LCG, LCG2, LPG, LPG2, LRG, LRG2 |
|------------|---|

Technical Picture



**Lincat Limited**

Whisby Road,  
Lincoln, LN6 3QZ,  
United Kingdom

**Company No:** 2175448

A member company of



**Customer Care**

**Tel:** +44 1522 875500  
**Email:** care@lincat.co.uk

**Export Customers**

**Tel:** +44 1522 503250  
**Email:** export@lincat.co.uk

**Opening Hours**

**Monday – Friday:**  
8.30am – 5pm