



LRB2W - Lincat Lynx 400  
Electric Counter-top Bain Marie - Wet Heat - inc. 2 x Round Pots - W 565 mm - 0.5 kW

Keep your sauces, soups and gravy at the ideal serving temperature with the Lynx 400 Wet Heat Bain Marie which comes with 2 x 4.5 litre round container and lids.

- ✔ Wet heat bain marie
- ✔ 2 x 4.5ltr round container with lids are included
- ✔ Ideal for holding foods for longer periods of time
- ✔ Plug and play for an easy installation

**Specifications**

**Summary**

<b>Brand</b>	Lincat
<b>Range</b>	Lynx 400
<b>Power Type</b>	Electric
<b>Unit Type</b>	Counter-top
<b>Available in UK Only</b>	No
<b>UK Warranty</b>	2 Years Parts and Labour Warranty
<b>Export Warranty</b>	Contact your local dealer
<b>GTIN</b>	5056105101352

**Power and Performance**

<b>Total Power kW</b>	0.50
<b>IP Rating</b>	IP23
<b>Temperature Control</b>	Mechanical

**Key Specifications**

<b>Capacity Litres</b>	2 x 4.5
<b>Pot Type</b>	Round pot
<b>Type of Heat</b>	Wet/Dry

**Weights and Dimensions**

<b>Unit Height (External) mm</b>	240
<b>Unit Width (External) mm</b>	565
<b>Unit Depth (External) mm</b>	400
<b>Net Weight Kg</b>	13

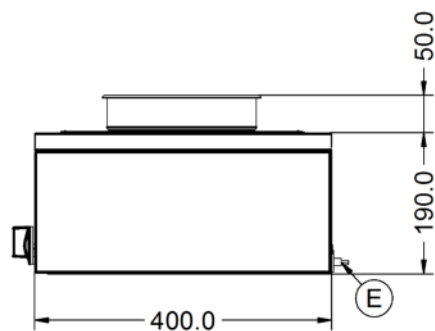
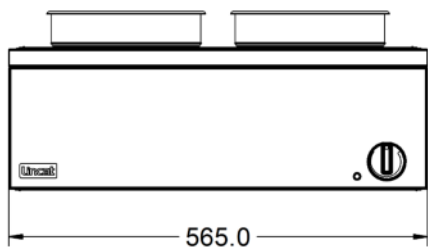
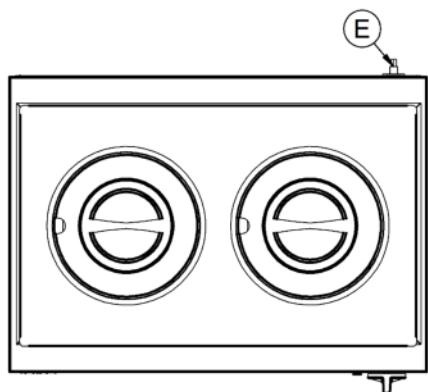
**Supply Connections**

<b>Requires Installation</b>	No
<b>Requires Electrical Supply</b>	Yes
<b>UK 3 Pin Plug</b>	Yes
<b>Requires Hardwiring</b>	No
<b>Electrical Supply Rating Watts</b>	500
<b>Single Phase Amps</b>	2.2
<b>Single Phase Voltage</b>	230

**Shipping**

<b>Packed Weight Kg</b>	16.7
<b>Packed Height cm</b>	49.5
<b>Packed Width cm</b>	70
<b>Packed Depth cm</b>	55

**Technical Picture**



**Lincat Limited**

Whisby Road,  
Lincoln, LN6 3QZ,  
United Kingdom

**Company No:** 2175448

A member company of



**Customer Care**

**Tel:** +44 1522 875500  
**Email:** care@lincat.co.uk

**Export Customers**

**Tel:** +44 1522 503250  
**Email:** export@lincat.co.uk

**Opening Hours**

**Monday – Friday:**  
8.30am – 5pm