



LRB2 - Lincat Lynx 400
Electric Counter-top Bain
Marie - Dry Heat - inc. 2 x
Round Pots - W 565 mm -
0.5 kW

Keep your sauces, soups and gravy at the ideal serving temperature with the Lynx 400 Dry Heat Bain Marie which comes with 2 x 4.5 litre round container and lids.

- ✔ Dry heat bain marie
- ✔ 2 x 4.5ltr round container with lids are included
- ✔ Ideal for holding foods for longer periods of time
- ✔ Plug and play for an easy installation

Specifications

Summary

Brand	Lincat
Range	Lynx 400
Power Type	Electric
Unit Type	Counter-top
Available in UK Only	No
UK Warranty	2 Years Parts and Labour Warranty
Export Warranty	Contact your local dealer
GTIN	5056105101321

Power and Performance

Total Power kW	0.50
IP Rating	IP23
Temperature Control	Mechanical

Key Specifications

Capacity Litres	2 x 4.5
Pot Type	Round pot
Type of Heat	Dry

Weights and Dimensions

Unit Height (External) mm	240
Unit Width (External) mm	565
Unit Depth (External) mm	400
Net Weight Kg	10.9

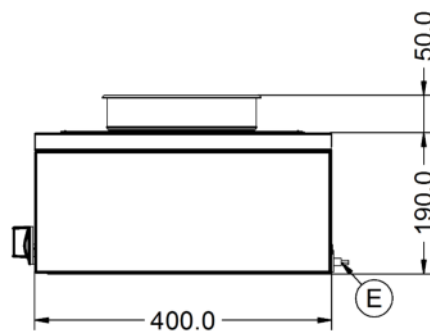
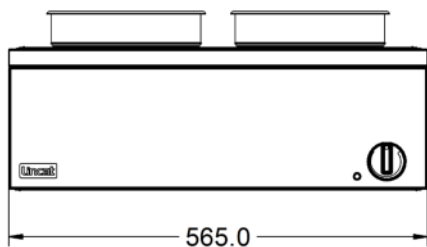
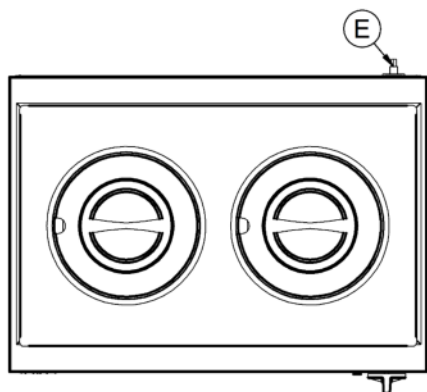
Supply Connections

Requires Installation	No
Requires Electrical Supply	Yes
UK 3 Pin Plug	Yes
Requires Hardwiring	No
Electrical Supply Rating Watts	500
Single Phase Amps	2.2
Single Phase Voltage	230

Shipping

Packed Weight Kg	13.7
Packed Height cm	49.5
Packed Width cm	70
Packed Depth cm	55

Technical Picture



Lincat Limited

Whisby Road,
Lincoln, LN6 3QZ,
United Kingdom

Company No: 2175448

A member company of



Customer Care

Tel: +44 1522 875500
Email: care@lincat.co.uk

Export Customers

Tel: +44 1522 503250
Email: export@lincat.co.uk

Opening Hours

Monday – Friday:
8.30am – 5pm