



## LCG2 - Lincat Lynx 400 Electric Counter-top Twin Contact Grill - Smooth Upper & Lower Plates - W 623 mm - 4.5 kW

Heat food rapidly and seal in all the juices and flavour with the Twin-Head 2 x 2.25kW Lynx 400 Electric Contact Grill with smooth plates.

- ✓ Twin head model with smooth plates - ideal where space is limited
- ✓ Fast heat up from cold
- ✓ Enamelled cast iron plates give excellent heat retention and are easy to clean
- ✓ 1 kW element in upper plate and 1.25 kW in lower plate gives balanced cooking - no need to turn food
- ✓ Thermostatic control for accurate repeatable results
- ✓ Ideal for fast cooking of meat products
- ✓ Well balanced, smooth action mechanism with positive "park" position for safe and easy operation
- ✓ Supplied with two cables and two plugs for easy installation

### Specifications

#### Summary

|                      |                                   |
|----------------------|-----------------------------------|
| Brand                | Lincat                            |
| Range                | Lynx 400                          |
| Power Type           | Electric                          |
| Unit Type            | Counter-top                       |
| Available in UK Only | No                                |
| UK Warranty          | 2 Years Parts and Labour Warranty |
| Export Warranty      | Contact your local dealer         |
| GTIN                 | 5056105101130                     |

#### Power and Performance

|                                 |                |
|---------------------------------|----------------|
| Total Power kW                  | 4.50           |
| IP Rating                       | IP23           |
| Cooking Area (Width x Depth) mm | [2x] 264 x 250 |
| Temperature Control             | Mechanical     |

#### Key Specifications

|                              |        |
|------------------------------|--------|
| Top Grill Plate Surface Type | Smooth |
| Grill Plate Surface Type     | Smooth |
| Grill Plate Material         | Iron   |

#### Weights and Dimensions

|                           |      |
|---------------------------|------|
| Unit Height (External) mm | 182  |
| Unit Width (External) mm  | 623  |
| Unit Depth (External) mm  | 400  |
| Net Weight Kg             | 38.5 |

#### Supply Connections

|                                |       |
|--------------------------------|-------|
| Requires Installation          | No    |
| Requires Electrical Supply     | Yes   |
| UK 3 Pin Plug                  | Yes   |
| Requires Hardwiring            | No    |
| Electrical Supply Rating Watts | 4,500 |
| Single Phase Amps              | 19.6  |
| Single Phase Voltage           | 230   |

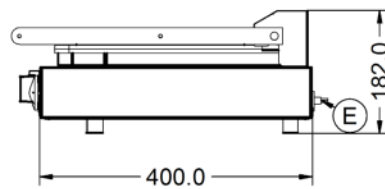
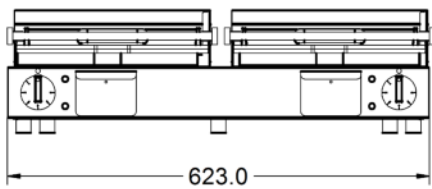
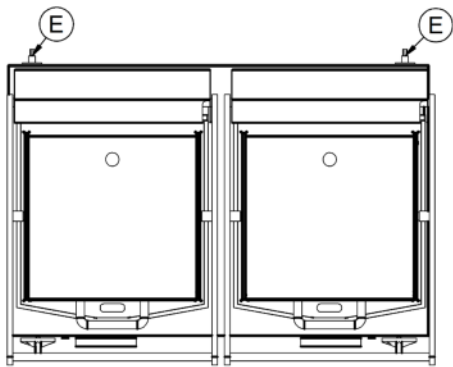
#### Shipping

|                  |      |
|------------------|------|
| Packed Weight Kg | 40.5 |
| Packed Height cm | 36   |
| Packed Width cm  | 73   |
| Packed Depth cm  | 61   |

### Available Accessories

|     |   |
|-----|---|
| OS2 | OMELETTE SPACER - FOR LCG, LCG2, LPG, LPG2, LRG, LRG2 |
|-----|---|

### Technical Picture



**Lincat Limited**

Whisby Road,  
Lincoln, LN6 3QZ,  
United Kingdom

**Company No:** 2175448

A member company of



**Customer Care**

**Tel:** +44 1522 875500  
**Email:** care@lincat.co.uk

**Export Customers**

**Tel:** +44 1522 503250  
**Email:** export@lincat.co.uk

**Opening Hours**

**Monday – Friday:**  
8.30am – 5pm