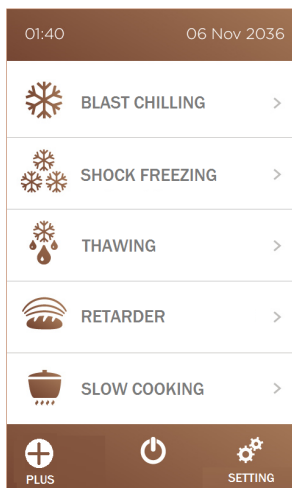


Mod. **HC12**

FR6VZG42F5F20

hichef



GENERAL FEATURES:

- External sides and top in AISI 304 18/10 stainless steel th. 0.6mm (Scotch-Brite satin finish)
- Door in stainless steel th. 0.8mm (Scotch-Brite satin finish)
- Inner in stainless steel with rounded corners
- Cavity with central drain for discharge of washing water
- High-density polyurethane's insulation (about 42 kg/m3), without HCFC
- Heating element in the door frame
- Ergonomic double-grip handle and full-height door, magnetic seal on 4 sides of the door
- Patented humidity injection system

5 FUNCTIONS:

- Blast Chilling
- Shock Freezing
- Thawing at controlled temperature and humidity
- Proofing retarder
- Low temperature cooking

INTERNAL SETUP:

- Snap-in type AISI 304 18/10 stainless steel slides and uprights, completely removable without the need of tools to facilitate cleaning
- GN1/1 o 600x400
- "L" shaped stainless steel slides, removable and adjustable in height every 15 mm
- Heated core probe, with 4 measuring points

COOLING SYSTEM:

- Indirect blowing electronic fans, efficient but gentle on food
- Hermetic Compressor (semi-hermetico for mod HC34)
- R452A ecological refrigerant fluid
- Copper-aluminum evaporator with cataphoresis anti-corrosion treatment
- High performance copper-aluminum condenser
- Patented hot gas defrosting system for the evaporator
- Defrosting and evaporating device for condensation water without electrical energy supply (cartridge resistance for mod HC34)

CONTROLS AND SAFETY DEVICES:

- 7" high-definition IPS capacitive TOUCH display embedded in the handle, easy to use
- Compressor protected by termic overload cut-out with automatic reset
- Room sanitization system with active ions (HI-GIENE)
- Washing hose as a standard

Mod. **HC12**

FR6VZG42F5F20

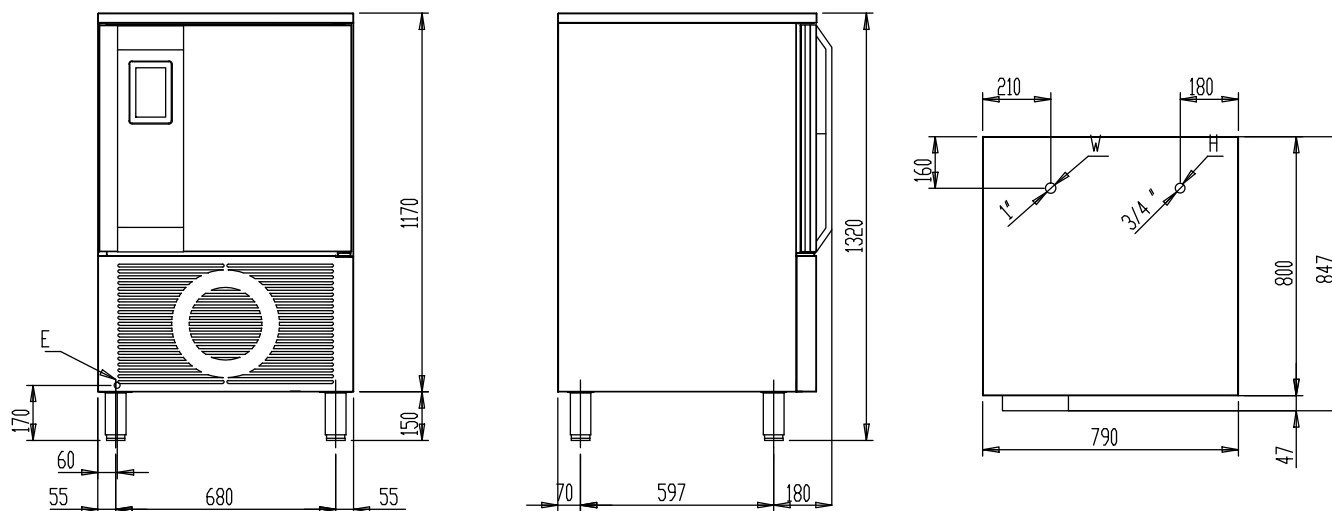
MODELLO:		HC12
NET WIDTH	mm	790
NET DEPTH	mm	820
90° OPENING DOOR DEPTH	mm	1550
NET HEIGHT	mm	1320
NET WEIGHT	Kg	130
GROSS WIDTH	mm	850
GROSS DEPTH	mm	880
HEIGHT GROSS	mm	1475
GROSS WEIGHT	Kg	147
GROSS VOLUME	m³	1.1
NET HEIGHT DOOR	mm	630
DOOR OPENING WIDTH	mm	670
INNER DEPTH	mm	420
INSULATION THICKNESS	mm	60
N° OF COMPARTMENTS	n°	1
N° OF DOORS	n°	1
ALLESTIMENTO INTERNO		Supporti regolabili con guide ad L
POWER SUPPLY		230/1/50
PITCH	mm	45/60/75
LOADING CAPACITY n° TRAYS GN1/2	n°	7-12 trays
LOADING CAPACITY n° TRAYS EN2	n°	7-12 trays
LOADING CAPACITY n° VASCHETTE 5Lt [165x360x120]	n°	12
CHILLING CAPACITY	Kg	25
FREEZING CAPACITY	Kg	16
REFRIGERANT	gas	R452A
NOMINAL CURRENT	A	12.1
DEFROST TYPE		HOT GAS
ABSORBED ELECTRICAL POWER	W	2565
COOLING POWER	W	1340
NOIS LEVEL	dB(A)	<70
QUANTITY CHARGE GAS	g	1260
CLIMATE CLASS		T
Compressor	HP	1.5
TEMPERATURE 2	°C	-18
TEMPERATURA 1	°C	85
Energy consumption for blast chilling function	[kWh/Kg]	0.08
Energy consumption for freezing function	[kWh/Kg]	0.27
Blast chilling cycle time 65 > +10 °C		109
Shock freezing cycle time 65 > -18 °C		270

Mod. **HC12**

FR6VZG42F5F20

Mod. **HC12**

FR6VZG42F5F20



Legenda - Legende - Key - Légende - Leyenda - Legenda

- E Pressacavo entrata linea elettrica - Kabeldurchführung - Electric cable stress relief
Presse-étoupe de câble él. - Elektrische kabelwartel- Entrada cabo eléctrico
- H Arrivo acqua - Wasseranschluss - Water inlet - Arrivée eau - Union de agua - Wateraansluiting - Junção alimentação água
- W Scarico acqua - Wasserablauf - Water outlet - Vidage de l'eau - Desaguadero - Wateraftapaansluiting - Junção descarga água