



Project:
Item Number:
Quantity:

INTERNATIONAL MIRAGE® STANDARD COUNTERTOP INDUCTION RANGES



DESCRIPTION

The ultra-low profile, portable countertop induction range is designed for use in light to medium-duty front-of-the-house cooking.

The induction ranges are equipped with a variety of safety features including:

- Over-heat protection
- Small-article detection
- Pan auto-detection function
- Empty-pan shut-off
- Safety auto-shut-off function

AGENCY LISTINGS



Due to continued product improvement, please consult www.vollrath.com for current product specifications.

ITEMS

- 59650** Countertop Range, Schuko Plug
- 59651** Countertop Range, UK Plug
- 59652** Countertop Range, China Plug
- 59655** Countertop Range, AU Plug

FEATURES

- 1-100 power levels or °F/°C temperature level controls
- 90% efficiency rating
- Easy to read digital readout for power level
- 1-180 minute timer
- The case frame is made from heavy-duty, 18-gauge stainless steel with a ceramic top
- The top displays HOT when unit is turned off, if the cooking surface is still hot
- Variable speed knob for fast temperature adjustment
- Rubber feet to prevent slipping of appliance
- 6-ft. (183 cm) cord with plug

WARRANTY

All models shown come with Vollrath’s standard warranty against defects in materials and workmanship. For full warranty details, please refer to www.Vollrath.com.

CLEARANCE AND ENVIRONMENT REQUIREMENTS

- This appliance is intended for use with induction-ready cookware. It is not intended to be used with aluminum pans with a metal disk on the bottom.
- All models require adequate unrestricted intake and exhaust air ventilation for proper operation of the controls. The maximum intake temperature must not exceed 110°F (43°C). Temperatures are measured in ambient air while all appliances in the kitchen are in operation.
- Countertop models require a minimum clearance of 4 inches (10.2 cm) at the rear and 1 inch (2.5 cm) at the bottom.

Approvals	Date

The Vollrath Company, L.L.C. Headquarters
 1236 North 18th Street
 Sheboygan, Wisconsin
 53081-3201 USA
 Main Tel: 800-624-2051 or 920-457-4851
 Main Fax: 800-752-5620 or 920-459-6573
 Canada Customer Service: 800-695-8560
 Tech Services: techservices@vollrathco.com
www.vollrath.com

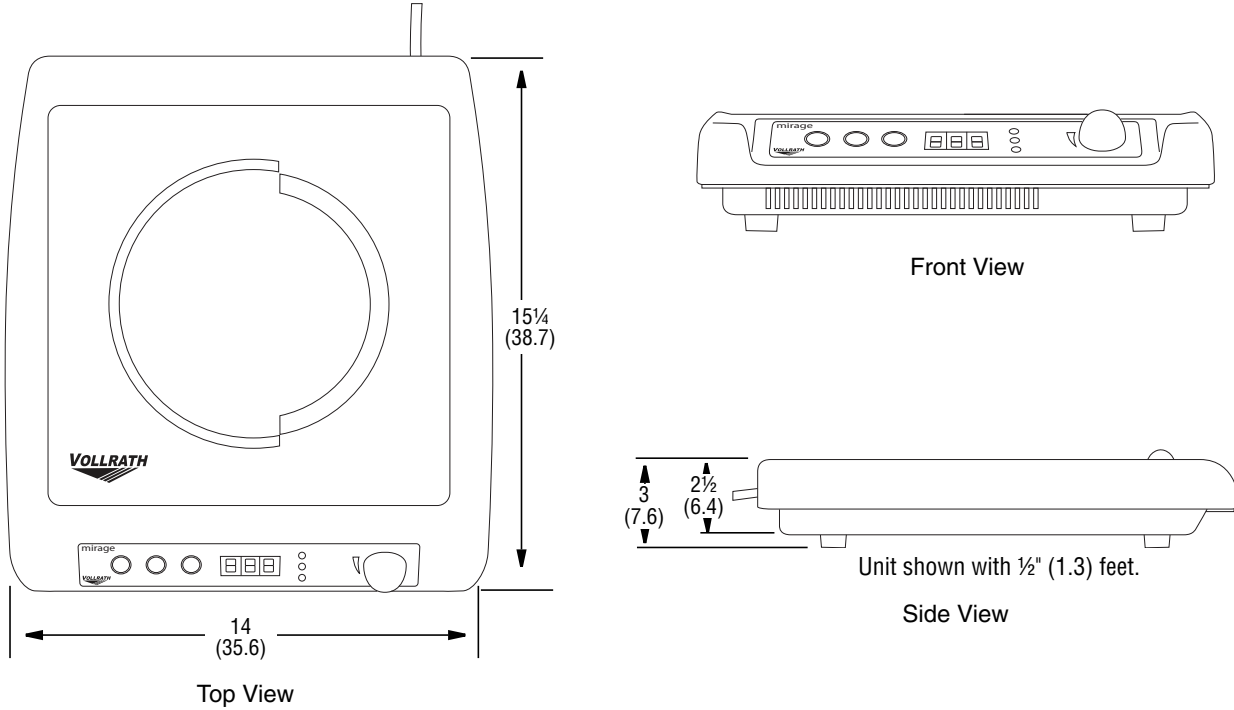
Pujadas
 Ctra. de Castanyet,
 132 P.O. Box 121
 17430 Santa Coloma de Farners
 (Girona) – Spain
 Tel. +34-972-84-32-01
info@pujadas.es

Vollrath of China
 Vollrath Shanghai Trading Limited
 Room 201, Building A
 Xin Yi Plaza
 1618 Yi Shan Road
 Shanghai, 201103
 China, P.R.C.
 Tel: +86-21-5058-9580

Vollrath de Mexico S. de R.L. de C.V.
 Periferico Sur No. 7980 Edificio 4-E
 Col. Santa Maria Tequepexpan
 45600 Tlaquepaque, Jalisco | Mexico
 Tel: (52) 333-133-6767
 Tel: (52) 333-133-6769
 Fax: (52) 333-133-6768

INTERNATIONAL MIRAGE® STANDARD COUNTERTOP INDUCTION RANGES

DIMENSIONS (Shown in inches (cm))

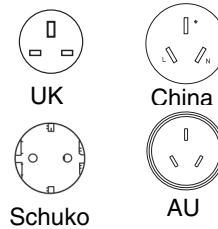


SPECIFICATIONS

Item No.	Max Pan Diameter* IN (CM)	Volts	Watts	Amps	Phase	HZ	Plug	Weight LB (KG)
59650	14 (35.6)	230	1800	7.8	1	50/60	Schuko	12.8 (5.8)
59651							UK	
59652							China	
59655							AU	

* Maximum pan diameter is provided as a guideline for achieving maximum performance. Other factors impact performance including pan construction material, the density and volume of the food in the pan, ambient temperature and food temperature.

Receptacles



The Vollrath Company, L.L.C. Headquarters
 1236 North 18th Street
 Sheboygan, Wisconsin
 53081-3201 USA
 Main Tel: 800-624-2051 or 920-457-4851
 Main Fax: 800-752-5620 or 920-459-6573
 Canada Customer Service: 800-695-8560
 Tech Services: techservicereps@vollrathco.com
 www.vollrath.com

Pujadas
 Ctra. de Castanyet,
 132 P.O. Box 121
 17430 Santa Coloma de Farners
 (Girona) – Spain
 Tel. +34-972-84-32-01
 info@pujadas.es

Vollrath of China
 Vollrath Shanghai Trading Limited
 Room 201, Building A
 Xin Yi Plaza
 1618 Yi Shan Road
 Shanghai, 201103
 China, P.R.C.
 Tel: +86-21-5058-9580

Vollrath de Mexico S. de R.L. de C.V.
 Periferico Sur No. 7980 Edificio 4-E
 Col. Santa Maria Tequepexpan
 45600 Tlaquepaque, Jalisco | Mexico
 Tel: (52) 333-133-6767
 Tel: (52) 333-133-6769
 Fax: (52) 333-133-6768