

ROSBACK COMPANY

TRUESCORE-PRO SCORING SYSTEM



ELIMINATE CRACKING

**CREATE DRAMATICALLY BETTER SCORING ON ROSBACK,
BAUM, STAHL, MBO, ROLLEM, THERM-O-TYPE
AND OTHER PRINT FINISHING MACHINES**

*IDEAL FOR DIGITALLY
PRINTED STOCK*

ROSBACK has provided world class perforating, scoring, and slitting solutions since 1881. The TrueLine and 240XL series perforators provide quality, cost-effective perforating and scoring solutions that presses or folders cannot match. No wonder thousands of demanding print finishers ask for ROSBACK.

Now add the innovative patent pending TrueScore-Pro to your ROSBACK Perforator. Produce perfect crack free scores on digitally printed stock and any sensitive material. No more outsourcing difficult scoring jobs.

The TrueScore-Pro fits all Rosback perforating and scoring machines.

AVAILABLE FOR BAUM, STAHL, MBO, AND OTHER FOLDERS

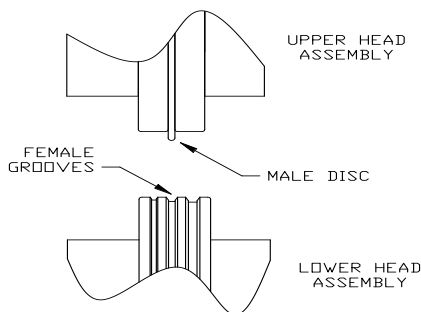
Five models are designed for use on most folders with adjustable 25, 30, and 35mm, 0.875", and 1.125" slitting shafts. Enjoy the same easy setup and operation and the same perfect results.

AVAILABLE FOR ROLLEM AND THERM-O-TYPE MACHINES

Two models available for 1.00" diameter shafts eliminate cracking on these perforating and slitting machines.

HOW THE TRUESCORE-PRO WORKS

The upper head holds a color-coded male disc, selected for a particular weight of stock. The lower head has various female groove widths. When the heads engage, the upper male disc gently stretches the fibers into the female ring, providing a deep, perfect score and crack free fold every time.



EASY SETUP AND OPERATION

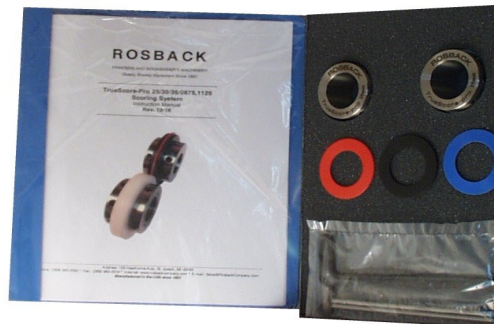
- Choose a female groove and lock the lower head into position.
- Choose a male scoring disc. Center the upper head over the female groove, then lower the upper head. Lock the upper head.
- Run a sheet through and adjust the pressure to reach the desired score depth.
- Male scoring discs are split for fast and easy replacement without removing the head from the machine.
- The blue disc produces a narrow score, perfect for paper and other light materials.
- The black disc produces a medium score.
- The red disc produces a wider score for heavier card and cover stocks.
- The standard minimum line to line spacing is 1". If closer spacing is required, contact ROSBACK with your application and we will provide a solution.



The top of this stack was scored with the TrueScore-Pro while the bottom was scored using standard scoring equipment. The TrueScore-Pro gives dramatically better results.

AVAILABLE KITS INCLUDE

- #220-A-203 for ROSBACK machines
- #TS25-A-010 for 25mm folders
- #TS30-A-010 for 30mm folders
- #TS35-A-010 for 35mm folders
- #TS0875-A-010 for 0.875" folders
- #TS1125-A-010 for 1.125" folders
- #TS1000-A-010 for Therm-O-Type
- #TS1000-A-020 for Rollem



EACH KIT CONTAINS:

- 1-Upper Male Head
 - 1-Lower Female Head
 - 1-Black Male Scoring Disc
 - 1-Blue Male Scoring Disc
 - 1-Red Male Scoring Disc
 - 1-Allen Key for Heads
 - 1-Set Head Tools
 - 1-User and Parts Manual
- Featuring durable and attractive stainless steel hubs and nuts. Every kit ships in a box suitable for secure and convenient storage.

OTHER ACCESSORIES FOR ROSBACK PERFORATORS

- Quick-Align Perforating Heads
- Slot-Cut Perforating Heads in 3, 4, 6, 9, and 12 TPI
- Knife-Cut Perforating Heads in 3, 4, 6, 9, and 12 TPI
- Micro-Perforating Heads in 36, 54, and 72 TPI
- Slitting Heads
- Scoring Heads in a variety of styles
- Gutter Slit/Perforating Heads
- Pressure-Sensitive Slitters for back slitting label stock
- Narrow Margin Perf perforating Heads
- Special 1/2" Perforating Heads
- Easy Out Shafts for rapid tool changes
- Special Engineered Heads. Chances are good we have done it before and can produce your special application quickly, saving you time & money.

ROSBACK COMPANY

125 HAWTHORNE AVE., ST. JOSEPH, MI 49085 USA

Phone: (269) 983-2582 * Fax: (269) 983-2516

Internet: www.rosbackcompany.com * E-mail: sales@rosbackcompany.com

Your Dealer: