

SCUBAJET

— PORTABLE SERIES



USER MANUAL SCUBAJET PORTABLE

V2.0 | 2023

CONTENTS

| | | | |
|---|----------|--|-----------|
| I Introduction | 3 | 5.4 DHC-Dual Hand Controller™ Display | 24 |
| II Product Details | 5 | 5.5 DHC-Dual Hand Controller™ Menu | 25 |
| III SCUBAJET in use | 6 | VI After using your SCUBAJET | 26 |
| 3.1 Introduction | 6 | 6.1 Cleaning instructions..... | 27 |
| 3.2. Preparing the Scubajet..... | 7 | VII Changing the Tube | 28 |
| IV Using the SCUBAJET on your SUP | 8 | VIII Battery Use & Care Information | 31 |
| 4.1 Your first steps on the water | 9 | 8.1 Battery types | 32 |
| 4.2 Contents of the SCUBAJET PRO Overwater Kit..... | 10 | 8.2 Smart Batteries activation and reset..... | 32 |
| 4.3. Contents of the RC-Remote Controller™ Overwater Kit..... | 11 | 8.3 Charging Batteries | 32 |
| 4.4 Using the Finbox Adapter and BT-Link on your SUP | 12 | 8.4 Storing Batteries | 33 |
| 4.5 Mounting the BT-Link™..... | 13 | 8.5 Buying Batteries..... | 33 |
| 4.6 Charging the RC-Remote Controller™..... | 13 | IX Important Safety & Operating Information | 34 |
| 4.7 How to use the RC-Remote Controller™..... | 14 | 9.1. Warning of Risk of Injury to yourself or others | 34 |
| 4.8 RC-Remote Controller™ Display | 16 | X Technical Specifications | 41 |
| 4.9 Settings and pairing..... | 17 | XI Warranty Terms | 42 |
| V Using SCUBAJET while diving, snorkeling and swimming .18 | | 10.1 Warranty Process..... | 43 |
| 5.1 Contents of the DHC – Dual Hand Controller™..... | 19 | 10.2 SCUBAJET is entitled to refuse a warranty claim in case | 44 |
| 5.2 Contents of the SCUBAJET PRO Underwater Kit | 20 | XII Transportation of your SCUBAJET | 45 |
| 5.3 Using the DHC-Dual Hand Controller™ on your SCUBAJET..... | 22 | | |

I INTRODUCTION

Dear customer,

Thank you for choosing SCUBAJET and for being part of our goal to make water sports activities more awesome. SCUBAJET is the most versatile and easy-to-handle water jet for paddle boarding, canoeing, diving, snorkeling, and swimming. It turns almost any existing water sports equipment into a powerful electric jet-assisted product within seconds.

Our products are made to the highest technological and design specifications, featuring cutting-edge engines, innovative battery systems, and extraordinary water jet propulsion technology.

We want to make sure you stay safe while using your SCUBAJET, so we put this manual together with a lot of care. We invite you to join us in keeping everyone safe by reading it fully and carefully, so you may use your SCUBAJET properly and enjoy it for a long time.

Don't hesitate to contact us by e-mail if you have any comments, questions, or issues:

support@scubajet.com

We wish you endless fun with your SCUBAJET products!

⚠ DANGER

ELECTRICALLY OPERATED PRODUCT & WATER SUCTION EFFECT

Not recommended for children under 16 years of age. As with all electrical products, precautions should be observed while handling. Be aware that water suction at the water intake may suck in hair, body parts, or loose items.



II PRODUCT DETAILS

NOSE™

optional:
BEAM™
1500 Lumen LED

SCUBAJET RAIL™

SSC

SCUBAJET Smart Connect for
Accessories

Diffuser

Turn to open for
impeller change

HD Batteries

200 Wh / 400 Wh

Smart Batteries™

100 Wh / 2×100 Wh / 4×100 Wh

Tube

NEO (1×100 Wh smart battery)
PRO (2×100 Wh smart battery)
PRO XR (4×100 Wh smart battery)

2 Motor options

500 W or 1000 W

Harness Mounting

for safety or dive leash





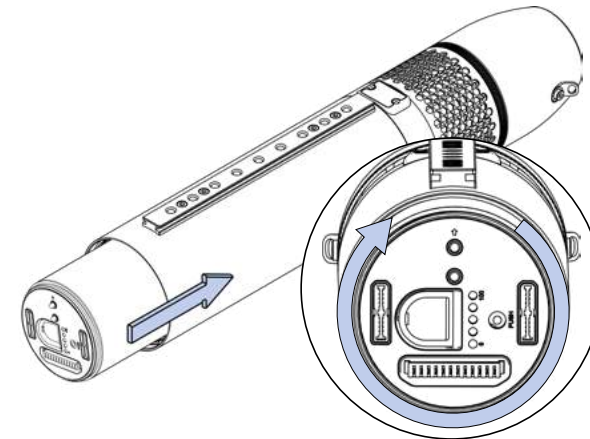
III SCUBAJET IN USE

3.1 INTRODUCTION

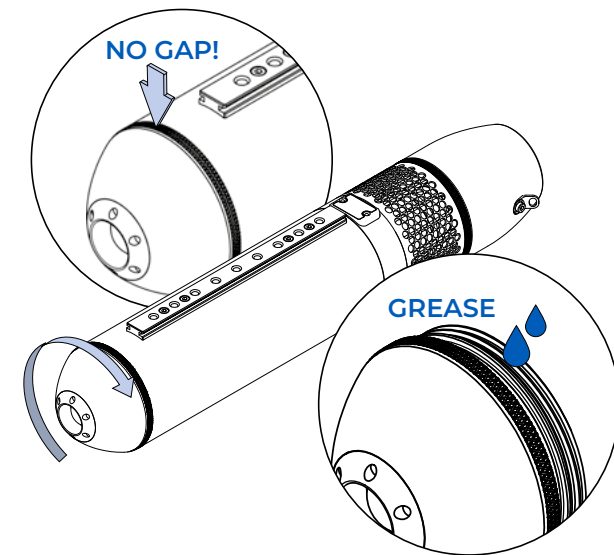
By following the next simple steps, you'll be on your way to using your SCUBAJET properly. Please follow them carefully to set up and start your SCUBAJET independently of its intended use.

Once your SCUBAJET is set up, you can continue directly with section IV (page 9) if you intend to use it on a SUP. For snorkeling, swimming, and diving, go to section V (page 19).

3.2 PREPARING THE SCUBAJET



- 1 The battery has to be fully charged. Insert the battery and rotate the ring clockwise until the battery locks in place. Push the battery in until you hear a click; otherwise, the nose will not fit on the tube.



- 2 Make sure the grooves of the nose are well lubricated. Add some of the grease included if the nose is too hard to screw onto the tube. Ensure there's no gap between the tube and the nose, or water could get inside your SCUBAJET and cause damage. The nose and tube markers should align, indicating the nose is locked correctly. Your SCUBAJET might not turn on otherwise.



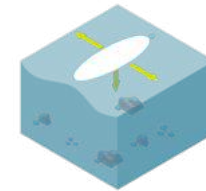
IV USING THE SCUBAJET ON YOUR SUP

You are now ready to transform your SUP board with the power of your SCUBAJET and take it to the next level. Powering your board will allow you to train your balance and endurance more effectively and to go longer distances at higher speeds. You'll be set in seconds to enjoy paddling to the fullest!

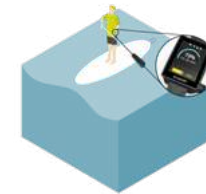
The following pages will show you how to mount the adapter to your SCUBAJET and attach the SCUBAJET to your board. Read on!

4.1 YOUR FIRST STEPS ON THE WATER

1 Put the SUP with the attached SCUBAJET in the water and ensure you have plenty of obstacle-free space above and underwater.



2 Stand or kneel on the SUP and take the remote control.



3 Attach the remote control to your wrist, paddle, lanyard or other equipment so you don't lose it if you fall.



TIP If you fall off the board, the SCUBAJET will stop, when the Remote or BT-Link Receiver are underwater.

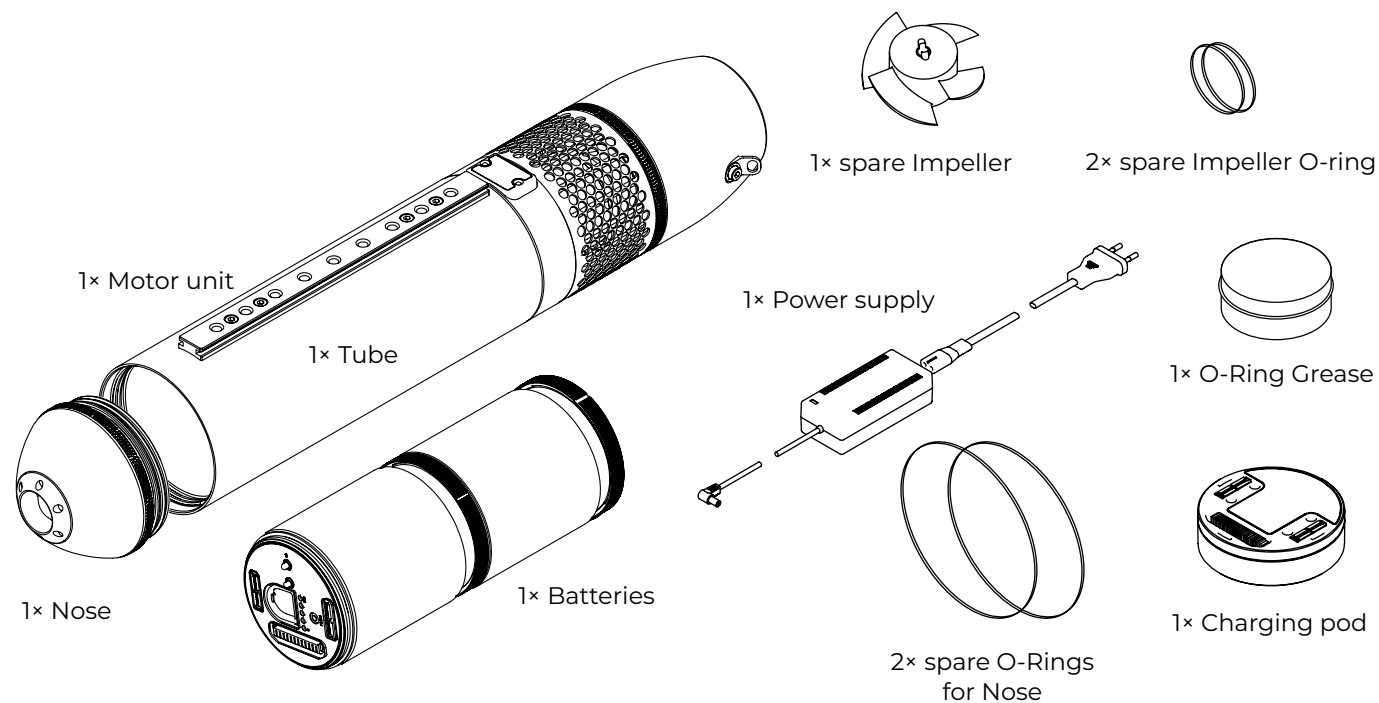


⚠ ATTENTION

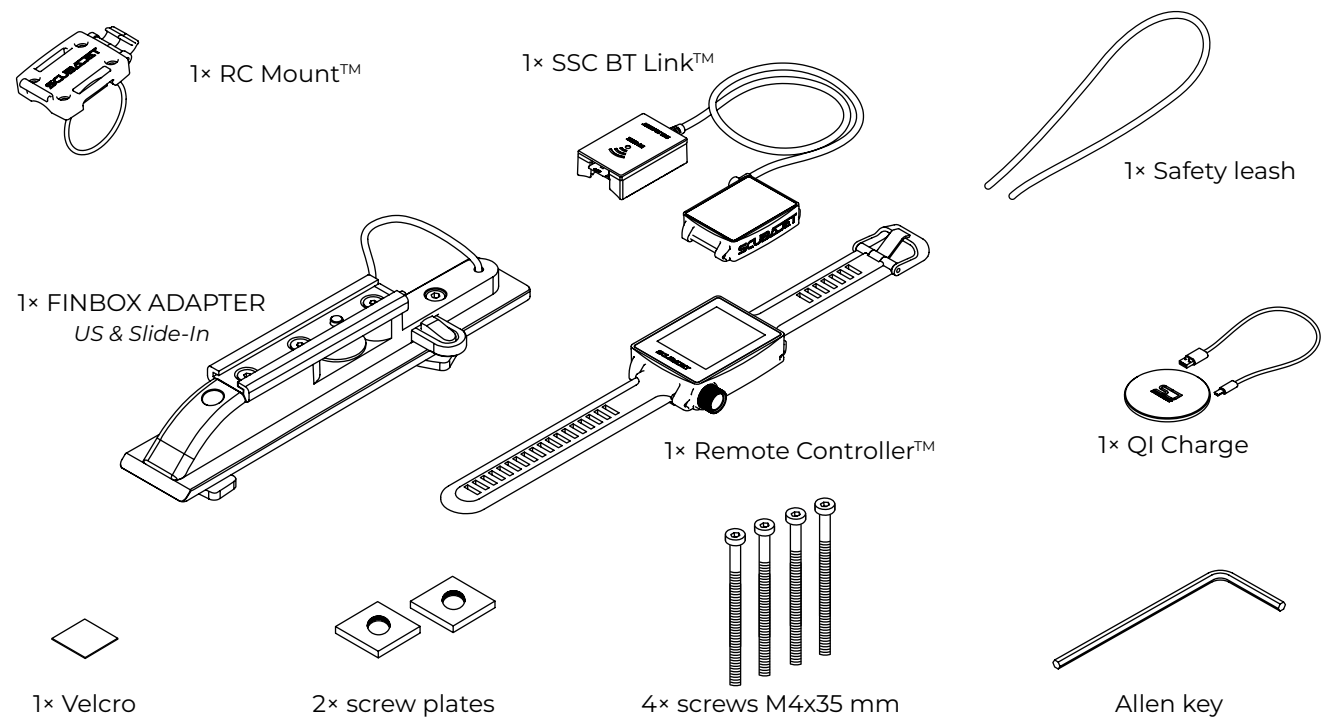
The remote control must be attached to your person or to equipment that will fall in the water with you if you fall. Otherwise, your SCUBAJET won't stop.

4.2 CONTENTS OF THE SCUBAJET PRO OVERWATER KIT

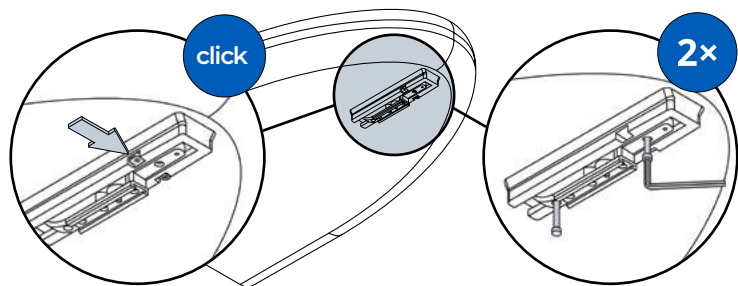
To activate your SCUBAJET and adjust the speed on a SUP board, you need the RC - Remote Controller™ Overwater Kit.



4.3 CONTENTS OF THE RC-REMOTE CONTROLLER™ OVERWATER KIT

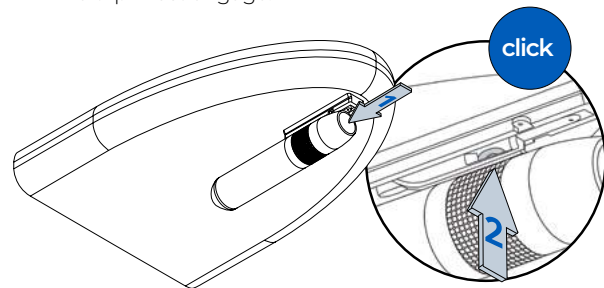


4.4 USING THE FINBOX ADAPTER AND BT-LINK ON YOUR SUP



1A Slide-In Finbox: No screws are necessary for the Slide-In Finbox. The clip must engage.

1B US Finbox: Tighten the screws with the Allen key.



2 Make sure the SCUBAJET does not extend over the edge of the SUP board.

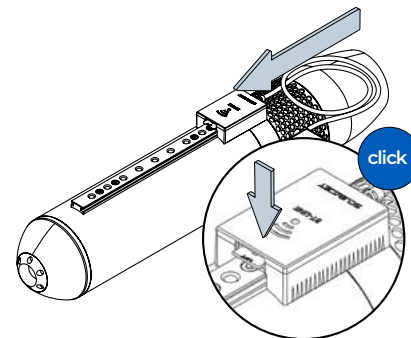
TIP

Put the board upside down in the water before mounting the SCUBAJET.

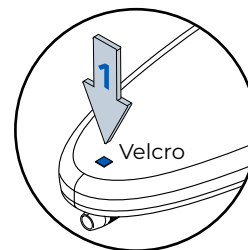
⚠ ATTENTION

Always secure your SCUBAJET! Use the Safety leash and the harness mount.

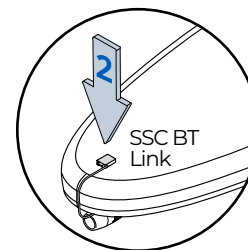
4.5 MOUNTING THE BT-LINK™



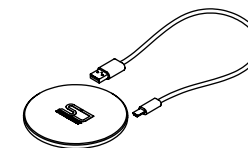
Attach the BT-Link SSC connector to the SCUBAJET accessory rail by holding the SCUBAJET upside down. Wait until the SCUBAJET logo on the BT-receiver starts blinking. This means that the device is ready for Bluetooth pairing.



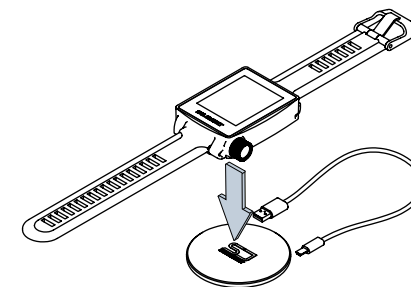
The BT-receiver must be placed on top of the board above the water surface.



4.6 CHARGING THE RC-REMOTE CONTROLLER™

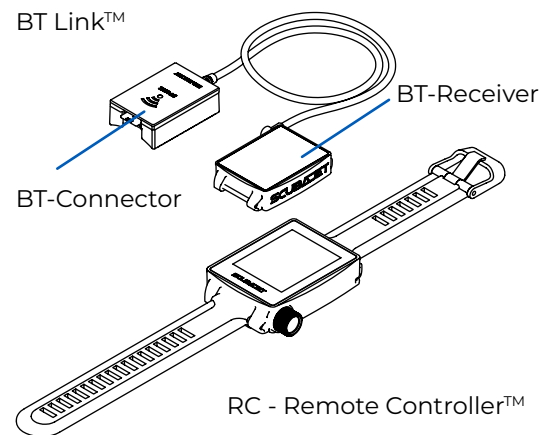


Connect the USB cable to the standard USB outlet.

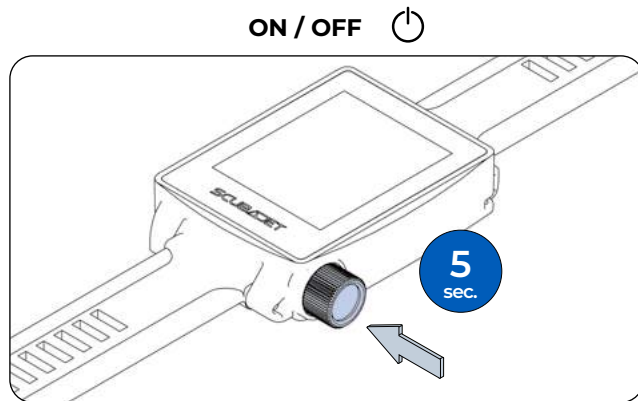


Place the remote in the middle of the charger until the light changes from red to blue. The remote begins charging only when the light turns blue. The display will show you when the remote is fully charged.

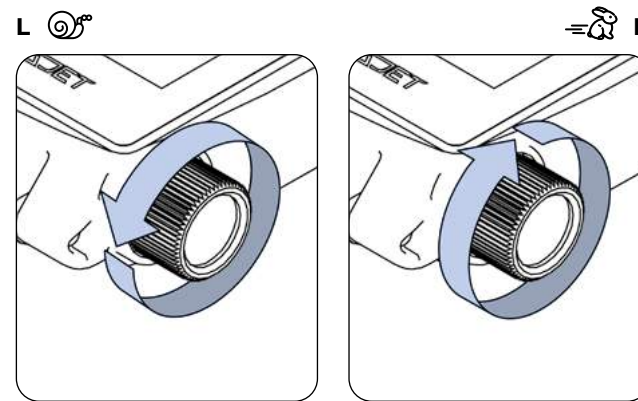
4.7 HOW TO USE THE RC-REMOTE CONTROLLER™



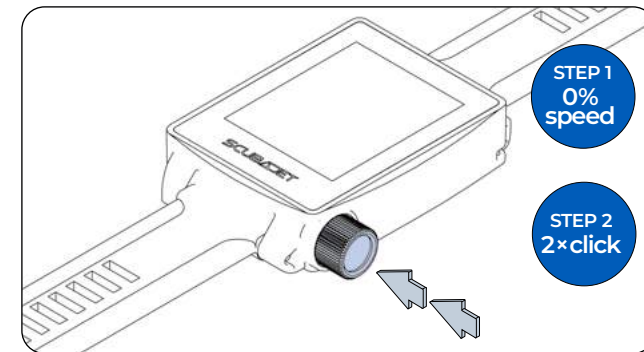
With your SCUBAJET SUP Package you will receive the remote control and the SSC BT link.



- 1 To turn on/off the remote control, press the button for 5 seconds.

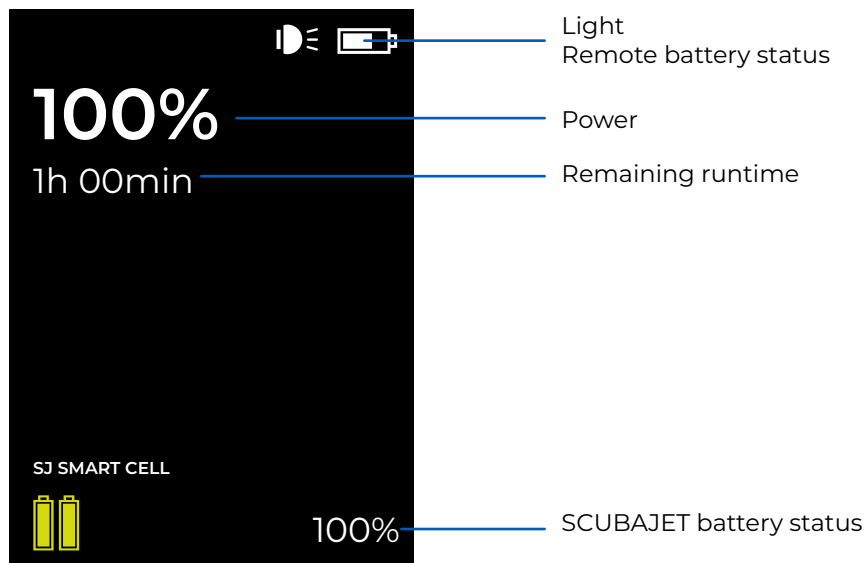


- 2 Turn it right to speed up or turn it left to slow down.



- 3 To enter or exit the menu, set the speed to 0% first, then double-click on the wheel button. Toggle up and down the menu items by turning the wheel and confirm your selection by pressing it once.

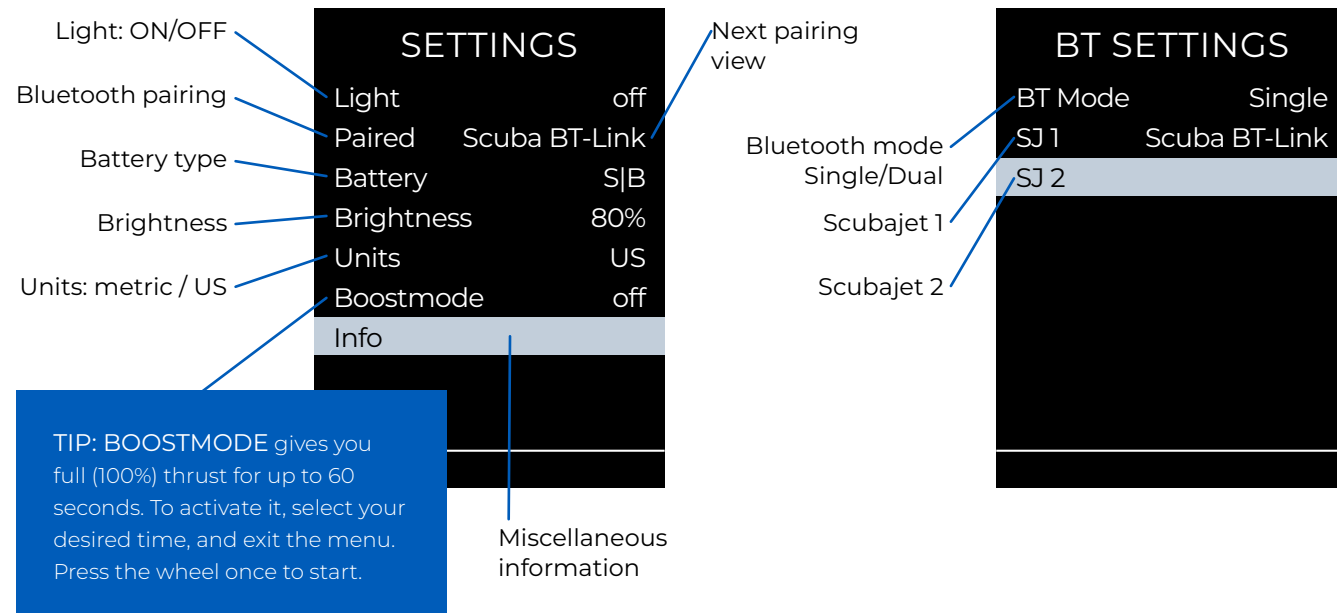
4.8 RC-REMOTE CONTROLLER™ DISPLAY



4.9 SETTINGS AND PAIRING

Once the BT-link is on the motor unit, blinking indicates that it is ready for pairing. Select the second entry "Pair / Paired." On the next screen, set the BT Mode to "SJ1". You can pair up to two SCUBAJETs at a time. Confirm slot SJ1 or SJ2 accordingly until it is paired.

With the dual mode, it is possible to run two SCUBAJETs with one remote.

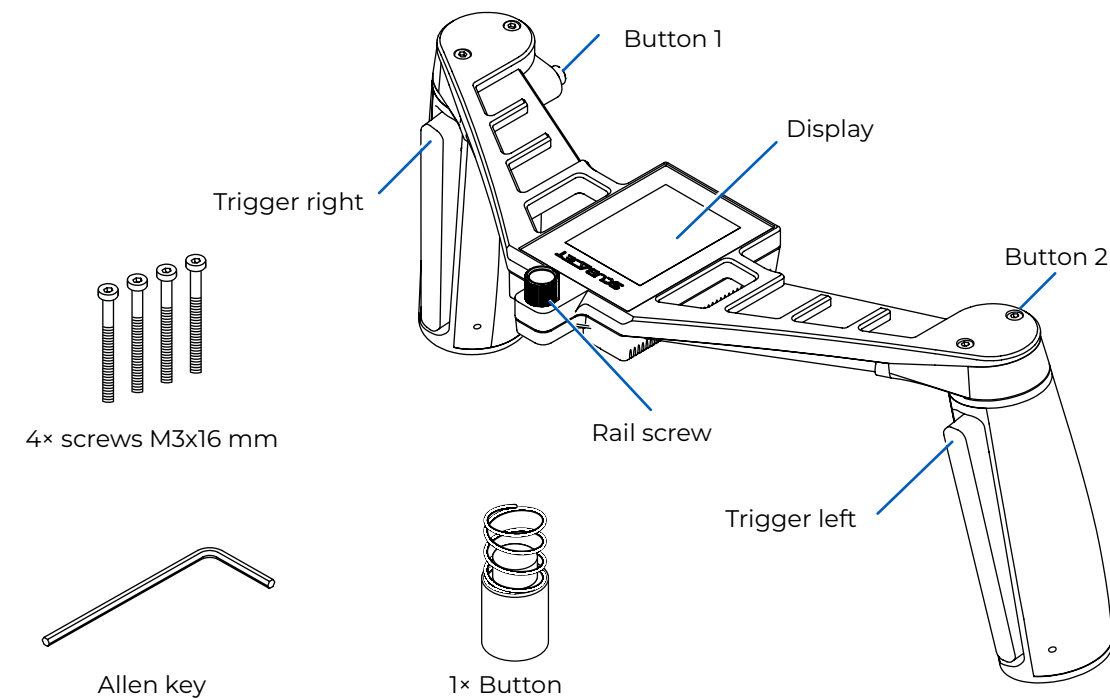


V USING SCUBAJET WHILE DIVING, SNORKELING, AND SWIMMING

The Dual Hand Controller™ of your SCUBAJET will take your underwater experience to the next level. Diving, snorkeling, or swimming, you'll be ready to start within seconds! Keep reading to find out how to use the SCUBAJET with your diving gear and how to make the most of your next underwater adventure.

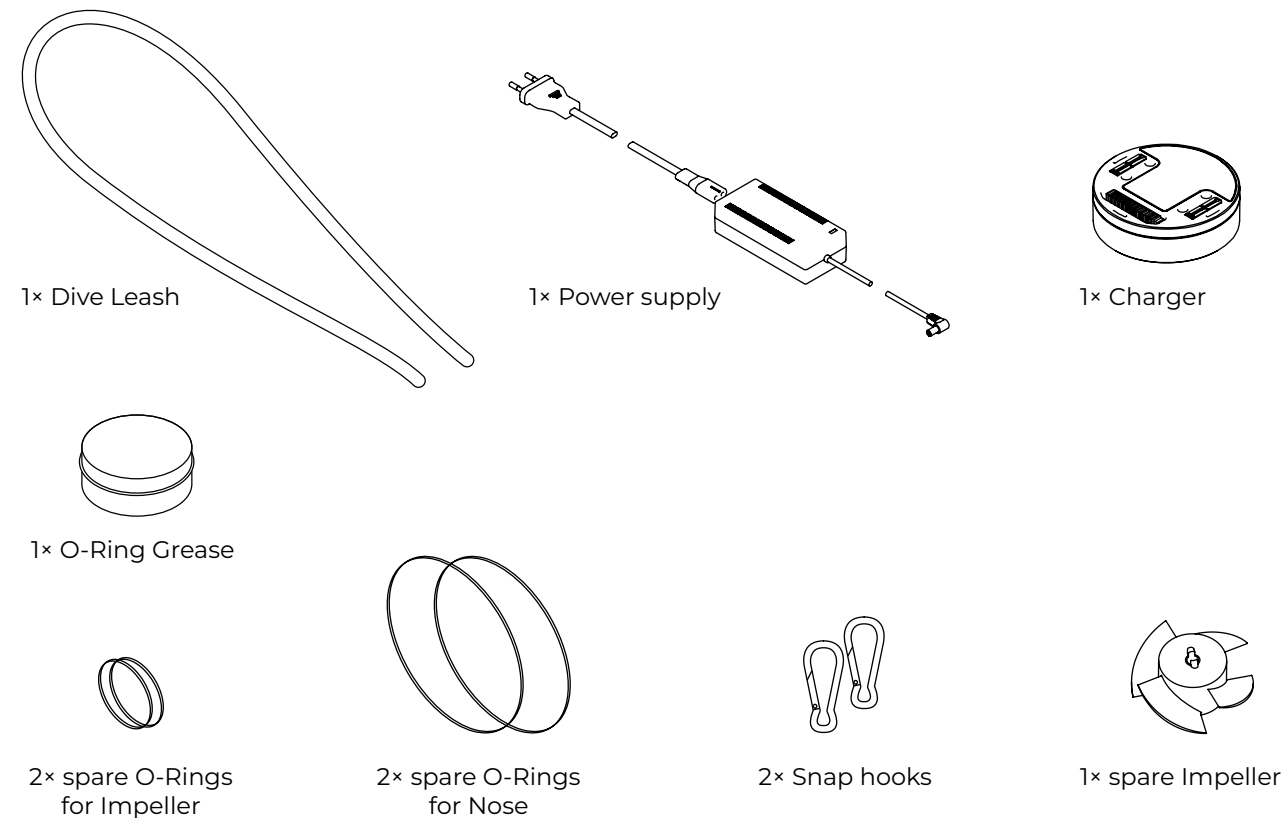
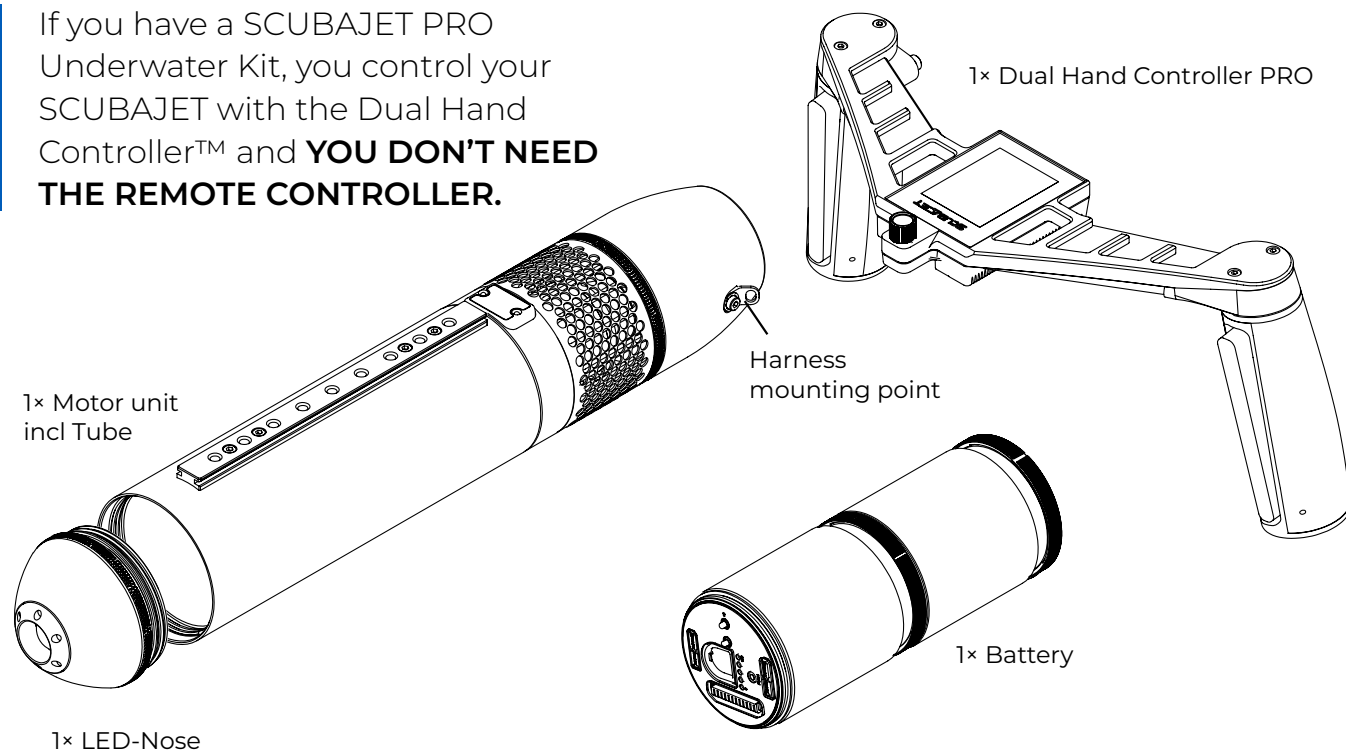


5.1 CONTENTS OF THE DHC – DUAL HAND CONTROLLER™

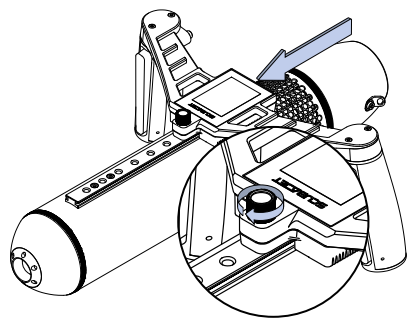


5.2 CONTENTS OF THE SCUBAJET PRO UNDERWATER KIT

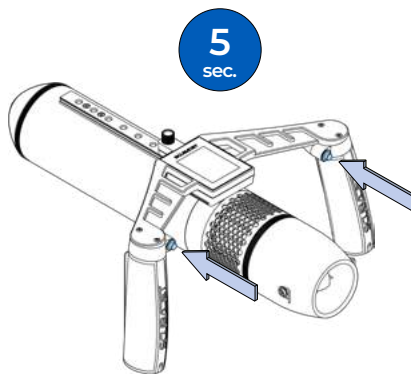
If you have a SCUBAJET PRO Underwater Kit, you control your SCUBAJET with the Dual Hand Controller™ and **YOU DON'T NEED THE REMOTE CONTROLLER.**



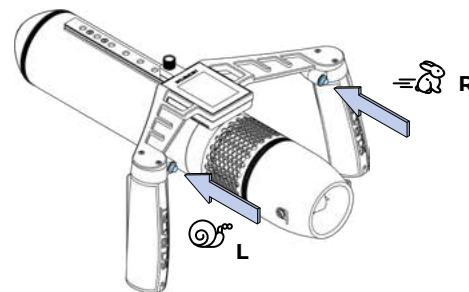
5.3 USING THE DHC-DUAL HAND CONTROLLER™ ON YOUR SCUBAJET



- 1 Securely attach the Dual Hand Controller to the adapter rail on the tube, tightening the screw clockwise until it is firmly in place.

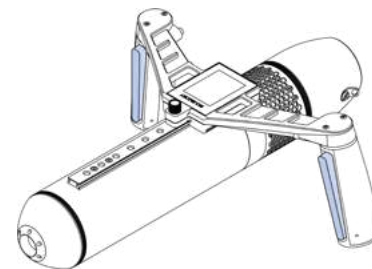


- 2 Turn the SCUBAJET on/off by pressing the 2 buttons on the Dual Hand Controller for 5 seconds.

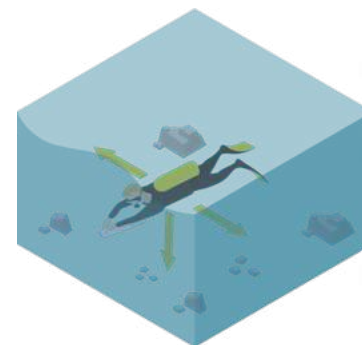


- 3 Press the right button to speed up or the left button to slow down.

TIP: Press both silver buttons simultaneously one time to turn the Beam™ on and off.



- 4 Press both triggers on the Dual Hand Controller to start your SCUBAJET. Set your speed to at least 4%. The default start setting is "Trigger Dual", which allows you to turn off the engine with just one trigger. You can always adjust the settings to customize your experience.

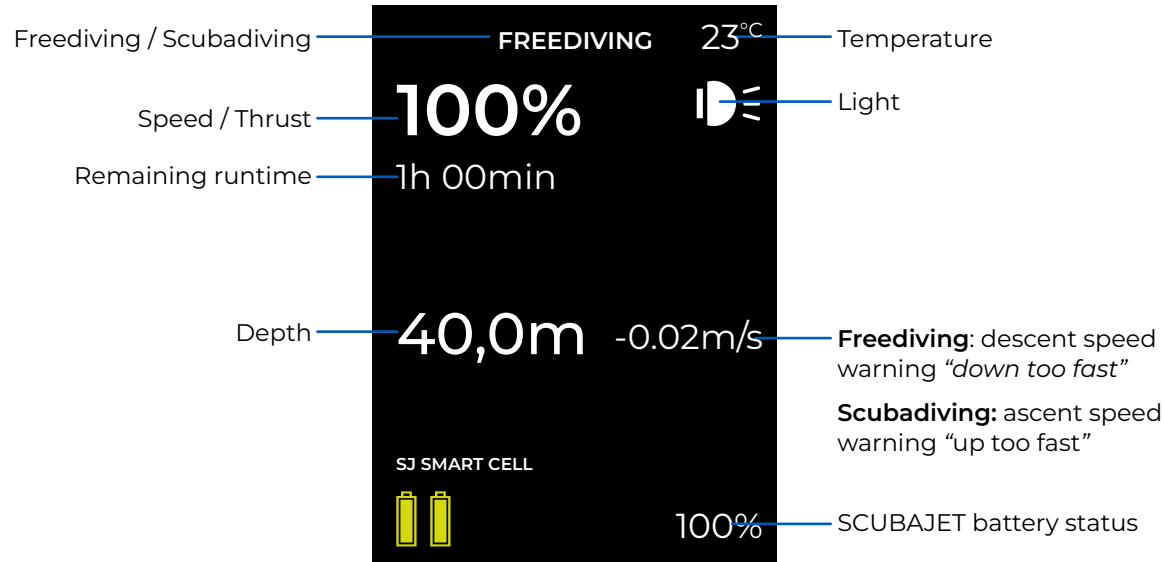


- 5 Ensure that your SCUBAJET is fully submerged and that you have ample space to avoid obstructions. When snorkeling, do not exceed the typical depth of your non-propelled dives to guarantee a safe return to the surface.

⚠ CAUTION

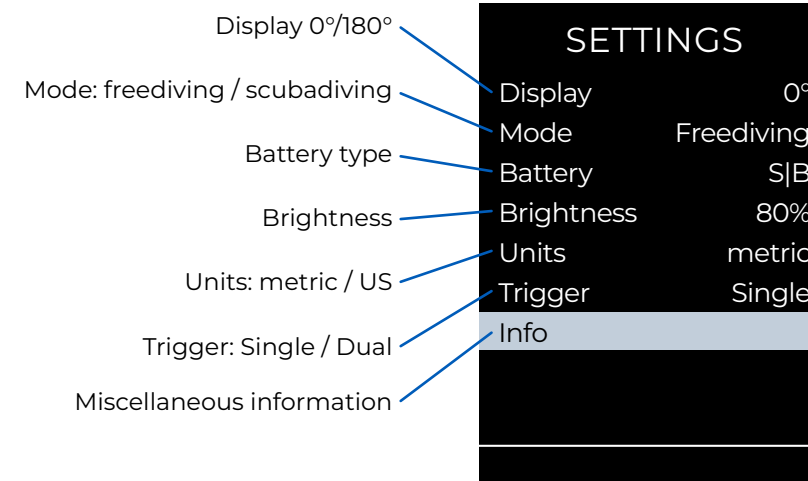
Do not insert any body parts, clothing, or other objects into the water intake (grille) of your SCUBAJET. Doing so could result in the suction of loose body parts (like hair), clothing, or equipment. NEVER run your SCUBAJET outside of the water for more than 10–30 seconds!

5.4 DHC-DUAL HAND CONTROLLER™ DISPLAY



5.5 DHC-DUAL HAND CONTROLLER™ MENU

To access settings, press both triggers simultaneously while the SCUBAJET is powered on.
To return to the regular display, double-click both triggers again.



Navigate the menu using the left and right triggers on the Dual Hand Controller to adjust the settings. To confirm the changes, press one of the buttons.

VI AFTER USING YOUR SCUBAJET

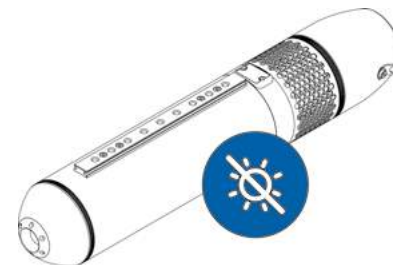
As fantastic as the sun and salt water are, they can damage your skin and your SCUBAJET.

The following tips are for when your SCUBAJET isn't in use and will help ensure its longevity. And don't forget to care for your skin either!

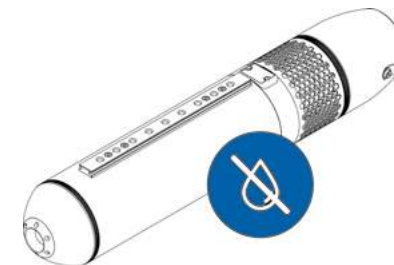
6.1 CLEANING INSTRUCTIONS



- 1 After each use, rinse your SCUBAJET with fresh water.



- 2 Try to store your SCUBAJET in a shaded area.



- 3 Wait until your SCUBAJET is dry before you remove the nose.



- 4 To remove the batteries, place one hand on the open tube, turn it upside down, and give it a firm yet gentle shake. Gravity will do the rest of the work.



- 5 Store the battery in a dry and shaded area.



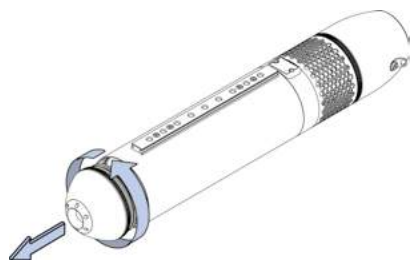
Watch the video!

INFO

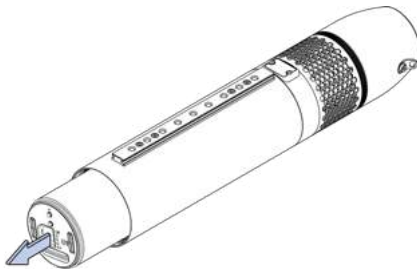
Fill a container with fresh water and submerge the SCUBAJET in it. Activate the SCUBAJET for approximately 10 seconds to rinse it.

VII CHANGING THE TUBE

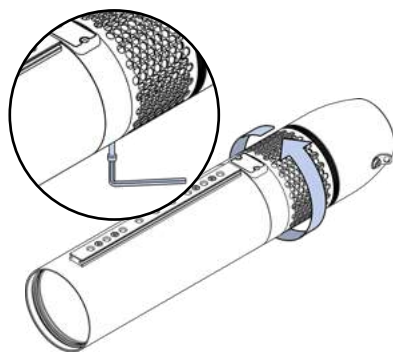
Follow these easy steps to turn your SCUBAJET PRO into a SCUBAJET PRO XR and back.



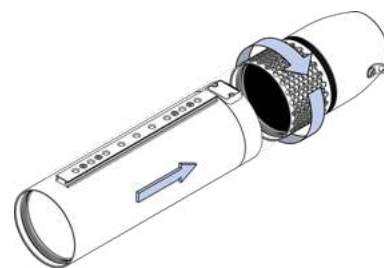
1 Rotate the nose counter-clockwise to open the SCUBAJET.



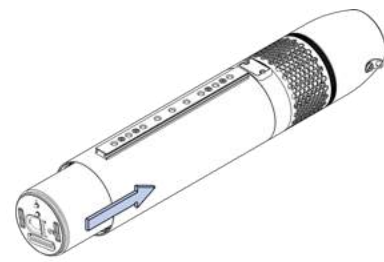
2 Remove the battery.



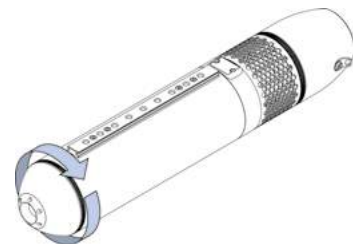
3 Using an Allen key, remove the locking screw, then unscrew the motor unit counter-clockwise to remove the tube.



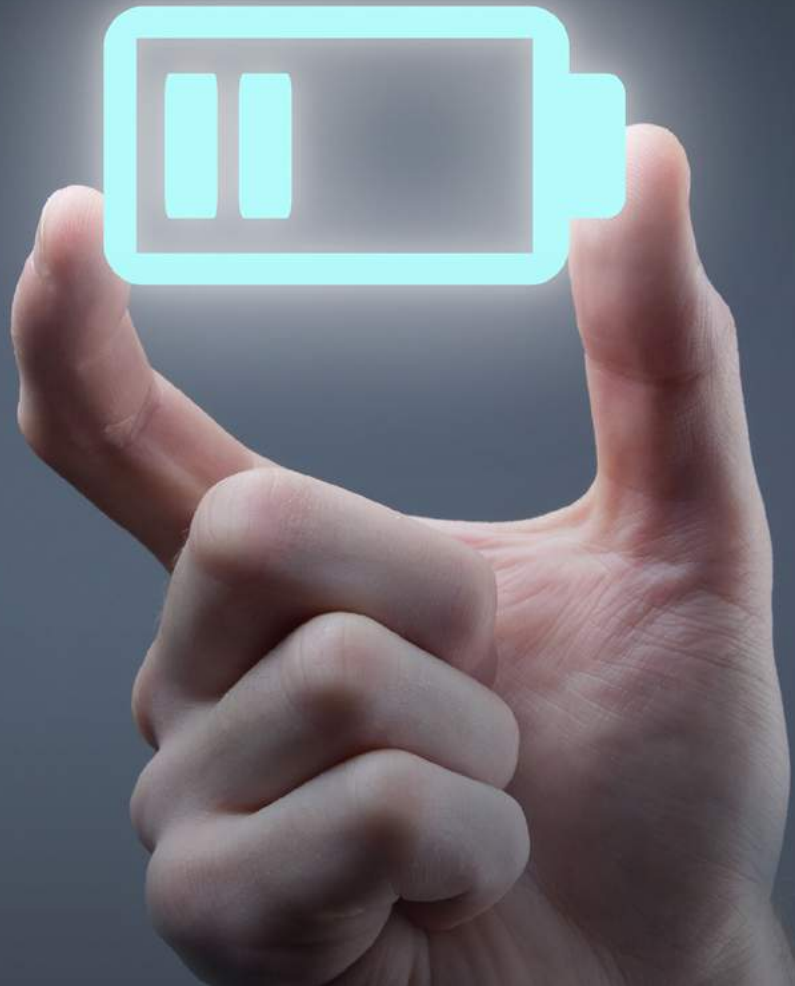
4 Attach the other tube and rotate it clockwise to secure and close it, then use the Allen key to reinstall the locking screw.



5 Insert the battery.



6 Secure the nose cap by turning it clockwise by hand, ensuring there is no gap.



VIII BATTERY USE & CARE INFORMATION

Your SCUBAJET works with a Li-ion battery, which must be handled carefully. Please read this manual thoroughly and follow the instructions below to prevent accidents and injuries.

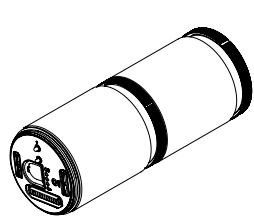
BATTERY USE

To ensure proper use of battery, read the following.

- Keep the battery in a dry area with enough ventilation, away from children, and away from heat sources to avoid ignition.
- Heat damages the battery. The battery's lifespan is shorter when you keep it in hot environments unnecessarily.
- Do not put the battery in your SCUBAJET until shortly before use.
- Before removing the battery, open the nose and allow two minutes for any potentially explosive gases to escape.
- Do not use the battery in temperatures above 60°C (140°F) as excessive off-gassing may occur. Keep the battery and your SCUBAJET in the shade when not in use.
- Always ensure your SCUBAJET is thoroughly dry before opening the nose.
- Never short-circuit the battery or battery connectors.
- If the battery appears damaged or will not charge fully, it must be replaced.
- If battery power is noticeably short, the battery should be replaced.

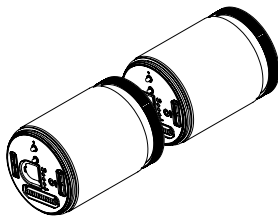
Your SCUBAJET works with a Li-Ion battery that must be handled carefully. Any Li-Ion battery can release explosive gases during regular use (off-gassing). Please make sure to read the manual thoroughly. Failure to do so could result in an explosion.

8.1 BATTERY TYPES



HD Batteries

200 Wh / 400 Wh
25,2 V power supply
non stackable
not airline-compliant



Smart Batteries

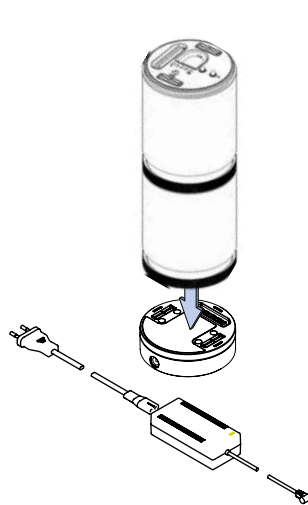
100 Wh / 2x100 Wh / 4x100 Wh
37,8 V power supply
stackable (up to 400 Wh)
airline-compliant

8.2 SMART BATTERIES ACTIVATION AND RESET

Smart batteries go into sleep mode after a few hours of inactivity. To activate your smart batteries again, press the "Push" button once briefly. The LED indicator will turn on. Always activate batteries before stacking them.

To reset your smart batteries, stack them in the tube and connect them to the motor unit. Press and hold the "Push" button for 10 seconds until the light indicators blink, then release.

8.3 CHARGING BATTERIES



Put the batteries in a vertical position on the charger for easy handling.

Once connected to the charging pod, you can lay the batteries down.

The light on the power supply will change from green to red while charging and back to green when finished.

Your smart batteries can have different charge levels. The battery with the highest voltage will be used first and will appear green on the display. Batteries with lower voltage will be displayed in grey. Once the other batteries have the same voltage level, they will get the green status and will be charged together.

Please be aware that differences in voltage may be very small (green to grey) on the display.

- Always make sure the charger is dry before use.
- Recharge batteries within 24 hours after every use and recharge them at least every two months.
- Always charge your battery to the fullest before using your SCUBAJET.
- Only use the charger supplied with your SCUBAJET package.
- Keep the battery and SCUBAJET in a dry and shady spot when not in use.
- After charging, disconnect from the mains first and then disconnect the battery from the charger.
- After charging is complete the battery can still off-gas. You should wait at least 30 minutes after charging before removing the battery from the charger. Failure to do so could result in an explosion.
- Do not charge the battery while it is still inside the SCUBAJET.
- Do not pull out the batteries on the plastic ring.
- Do not charge the battery near water.
- The charger gets quite warm while in use.
- If unsure about the status of the battery's charge, recharge it until the indicator shows a full charge.

8.4 STORING BATTERIES

To store your batteries properly:

- Do not store the battery in temperatures above 45°C (113°F) as significant off-gassing may occur.
- Keep the battery and SCUBAJET in a dry and shady spot when not in use.
- If the battery is not to be used for an extended period of time, store it in a well-ventilated area away from children, heat, and ignition sources, and recharge it every two months to maintain charge and avoid excess off-gassing.
- DO NOT store the battery inside the SCUBAJET.

8.5 BUYING BATTERIES

For more information, visit our online shop at www.scubajet.com.

IX IMPORTANT SAFETY & OPERATING INFORMATION

9.1 WARNING OF RISK OF INJURY TO YOURSELF OR OTHERS

We guarantee that our products meet the highest security and safety standards when used as suggested in our user manual.

🛡️ GENERAL INFORMATION

- Children under the age of 16 should not be allowed to operate the SCUBAJET.
- Only experienced and healthy swimmers should use a SCUBAJET.
- Do not use a SCUBAJET when tired or under the influence of alcohol, drugs, or medication.
- A moment of inattention may result in serious personal injury.
- SCUBAJET should not be used during pregnancy.
- Rinse your SCUBAJET with fresh water after each use, especially after use in salt water.
- Always charge the battery on a non-flammable surface.

👁️ BE AWARE OF YOUR SURROUNDINGS

- Always inspect the swimming area to ensure it is free of hazards or obstacles such as boats and swimmers before using a SCUBAJET.
- Be aware of water levels, tidal changes, dangerous currents, weather changes and strong offshore winds. Always scout unfamiliar water.
- Avoid hitting other items with your SCUBAJET while diving. Stay away from boats, bridges, rocks, or any other items that can hurt you.

Ignoring the instructions in this manual or mishandling the SCUBAJET could cause malfunction, operational problems to the device, damage, or personal injury. SCUBAJET accepts no liability for any damage caused by actions that contradict this operating manual.

The battery of your SCUBAJET is classified as a hazardous item. Shipping companies must use the original packaging to transport the product. This rule does not apply to private transportation. Ensure that the battery casing is not damaged before transporting the battery private.

HANDLE SCUBAJET WITH CARE

- Ensure sufficient battery charge remains to return to the shore or surface.
 - Never open the battery casing (do not loosen the three screws at the bottom of the battery). Protect the battery from mechanical damage.
- If the battery casing is damaged:**
- Do not use that battery anymore, and do not charge it as there is a fire risk.
 - If electrolytes leak from the damaged battery, avoid skin contact and breathing in the gases. If you come into contact with leaked electrolytes (e.g. on the skin or eyes), rinse the affected area thoroughly with clear water. Contact a doctor immediately.
 - Contact SCUBAJET for advice on how to dispose of the damaged battery appropriately.
- Only charge the battery at ambient temperatures between 0°C (32°F) and 45°C (113°F).
 - Since 2009 lithium batteries with a capacity of >100 Wh (per unit) may no longer be carried as luggage in passenger planes.

MIND THE WATER INTAKE

- Never stick body parts, clothing, or other objects into the water intake (grille) of the SCUBAJET or even bring them close to it. Do not wear loose or dangling clothing or equipment that could be drawn into the water intake (grille) by the suction.
- Particular care should be exercised when a SCUBAJET is used by someone with long hair or near someone with long hair. Users with long hair should tie their hair up or wear a swimming cap when using a SCUBAJET. The suction of the water intake may draw in loose body parts or equipment.
- Ensure no stones, rope, dirt, or sand enter the SCUBAJET. Regularly clean up the parts that are within easy reach if necessary.
- Never stick body parts, clothing, or other objects into the nozzle on the back of the SCUBAJET.
- Do not point the water jet toward your face or somebody else's.

SCUBAJET EQUIPMENT

- Please note that your SCUBAJET automatically limits speed to avoid overheating the battery when operated at full speed in elevated ambient temperatures.
- The remote control shows the speed level (in %) and remaining battery capacity (in %).
- The remote control has a safety function that stops the SCUBAJET when the remote control is underwater.
- The remote control is intended for use in activities above the water like stand-up paddling, kayaking, or canoeing.

WEAR PROPER CLOTHES

- Your SCUBAJET is not a personal flotation device and will sink in water.
- Always wear a life jacket when using your SCUBAJET with a SUP, canoe, or kayak and never go without a paddle.

HOW TO HANDLE SCUBAJET PROPERLY

- Only run your SCUBAJET underwater.
- Never open the nose in the water.
- Do not use your SCUBAJET below the recommended maximum depth of 60m/196ft.

WHAT TO DO WHEN SCUBAJET IS NOT IN USE

- Always take your SCUBAJET out of the water after use.
- Always remove the battery from the unit when not in use.
- Do not store the battery inside the unit.
- Use the grease provided if your SCUBAJET squeaks.

MAINTENANCE OF YOUR SCUBAJET

- Wash all the components of your SCUBAJET with fresh water after using it in salty or brackish water.
- Use contact spray every two months to care for all electronic contacts.
- You will extend the lifespan of your battery if you do not expose it to hot environments for long periods of time.
- Keep your SCUBAJET out of direct sunlight when not in use as heat damages batteries.

The SCUBAJET should only be used for scuba diving by qualified divers.

Though certified scuba divers can use the SCUBAJET below 3m (10 ft) at their discretion, this warning applies to them too. Ascending too fast or holding one's breath during ascent may cause damage to the body.

⚠️ PAY SPECIAL ATTENTION WHEN DIVING

- If you are not formally trained or certified in scuba diving, you should not use the SCUBAJET below 3m (10ft) depth. Though it can never be eliminated entirely, the risk of pulmonary damage is minimal within three meters of depth from the surface.
- When using a SCUBAJET for scuba diving, ascents and descents should be made according to established diving practices.
- Be careful not to get stuck underwater when diving with a SCUBAJET. Ensure you do not carry items that might dangle or get stuck and prevent you from a safe ascent.
- Your SCUBAJET is to be used underwater with the dive adapter. The power stops when both triggers are released.
- Only use your SCUBAJET underwater.
- SCUBAJET assumes no liability for masks or goggles that come off during its use.

X TECHNICAL SPECIFICATIONS

| | NEO | PRO | PRO XR |
|-----------------|--|--|--|
| PERFORMANCE | 500 W (*upgradeable to 1000 W) | 1000 W | 1000 W |
| SPEED | up to 1.5 m/s, 4.92 ft/s | up to 2 m/s, 6.56 ft/s | up to 2 m/s, 6.56 ft/s |
| LENGHT | 33.6 cm, 13.2 in | 42 cm, 16.5 in | 58 cm, 22.8 in |
| WEIGHT | 2.4 kg, 5.29 lbs | 3 kg, 6.6 lbs | 4.5 kg, 10 lbs |
| BATTERY RUNTIME | up to 1h | up to 2h | up to 3h |



XI WARRANTY TERMS

The company SCUBAJET GmbH, Sankt Peter Strasse 7, 9020 Klagenfurt, Austria provides the following warranty terms: Unless a longer period is provided by national and supranational law the warranty for SCUBAJET (including wearing parts) shall be 12 months. SCUBAJET decides whether faulty parts are repaired or replaced. Distributors and dealers who repair a SCUBAJET have no authority to make legally binding statements on behalf of SCUBAJET. We warrant the final purchaser of a SCUBAJET product that it is free from material and manufacturing faults within one year after the purchase, and under the conditions stated below.

Any claims by the final purchaser for any expense for the repair of a material or manufacturing fault will be settled by SCUBAJET. Claims may not include or do not cover incidental costs of a warranty claim or any other financial losses (e.g. costs for towing, telecommunications, food, accommodation, loss of earnings, loss of time etc.).

Unless a longer period is provided by national and supranational law the warranty for SCUBAJET (including wearing parts) shall be one year after purchase, the warranty for batteries in any case is of 12 months. Dealers/Customers must make any warranty claim within this period and need to submit a copy of the bill which shows the date of purchase.

We recommend servicing the SCUBAJET via a local Dealer on a yearly base.

SCUBAJET decides whether faulty parts are repaired or replaced. Distributors and dealers who repair a SCUBAJET have no authority to make legally binding statements on behalf of SCUBAJET.

10.1 WARRANTY PROCESS

Adhering to the following warranty process is a prerequisite to the satisfaction of any warranty claims. Before dispatching any apparently faulty goods, it is required to coordinate the delivery with SCUBAJET. Please open a ticket in our support system: www.scubajet.com/service or contact us via email under support@scubajet.com and describe the issue with your products. Subsequently, our support team will get in touch with you for further steps.

Please understand that we are unable to deal with products of which we have not been notified and will therefore refuse to accept delivery. Customers are responsible to adhere to



If support is needed
Please open a ticket in our support system:
www.scubajet.com/service

or contact us via email under support@scubajet.com and describe the issue with your product.

all regulations of international transport by air (IATA) and road - especially for shipping Lithium-Ion Batteries - and any customs/duty regulations. SCUBAJET is not responsible for any violations of these regulations by any customer shipping internationally.

To check a warranty, and to process a warranty claim, we require your assistance:

For returning the SCUBAJET, we recommend keeping the original SCUBAJET packaging. If this is no longer available, packaging that prevents transport damage must be used (as transport damage is not included in the warranty).

10.2 SCUBAJET IS ENTITLED TO REFUSE A WARRANTY CLAIM IN CASE

- The product has been used improperly.
- The warranty was not correctly submitted (failure to contact SCUBAJET before sending back goods, refer to warranty process).
- The safety, operating and care instructions in the manual were not observed.
- The product was in any way altered or modified or parts and accessories were added that are not expressly permitted or recommended by SCUBAJET, previous services or repairs were not carried out by firms authorized by SCUBAJET, or non-original parts were used.

As well as the rights arising from this warranty, the customer also has legal warranty claim rights arising from the purchase contract with the dealer that are not hampered by this warranty.

Please assure that your SCUBAJET is always connected to a leash while using, otherwise we cannot provide any warranty.



XII TRANSPORTATION OF YOUR SCUBAJET

Please contact your operating airline for information on transporting your SCUBAJET (including batteries) by plane. Li-Ion batteries are subject to specific rules by the airline authorities. Some airlines do not allow transporting dive scooters or batteries, so check before traveling.

All required battery information is printed on the right top of the smart battery™.

SCUBAJET

www.scubajet.com

