

LEFEET C1 WATERSCOOTER

User manual

CHECK BATTERY LEVEL

Rocket-shaped indicator on the main unit indicates the battery level:

Green light: battery level is approximately 60%-100%

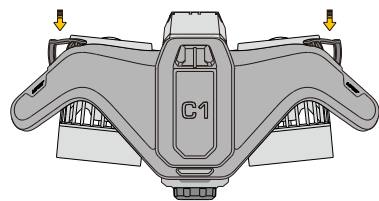
Yellow light: battery level is approximately 20%-60%

Red light: battery level is below 20%



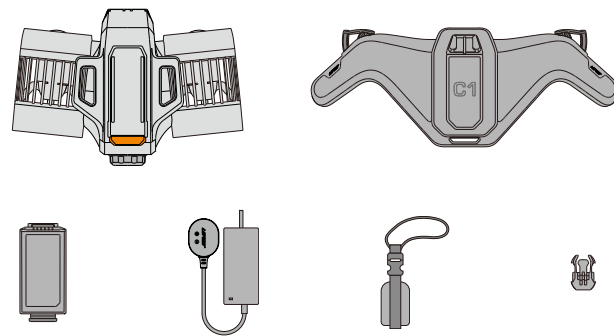
STARTING THE SCOOTER

Hold the handle of the control handle, and simultaneously press the left and right orange triggers to start the scooter. Release any trigger the scooter will stop.

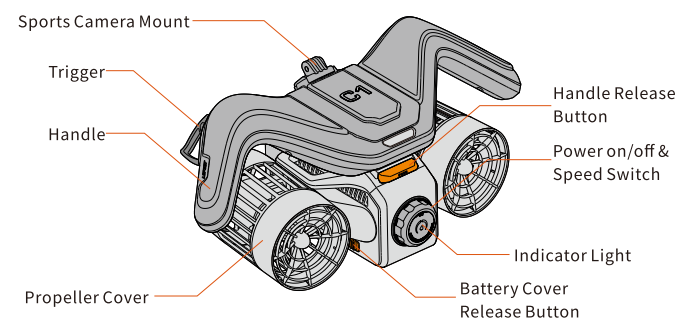


*This product is designed for use in water. Please do not start the propeller in the air.

WHAT'S IN THE BOX



PRODUCT DIAGRAM



1

MAINTENANCE

To maintain the good performance of this product, please do the following maintenance after each use:

1. Immerse the product in a container filled with fresh water for about 30 mins.
2. Hold the Handles with both hands and run it at low speed for one minute while the product is completely immersed, and repeat 2-3 times.
3. Wipe the product with a soft, clean, dry cloth.
4. Wipe off the water droplets around the battery compartment. Open the battery cover with dry hands and remove the battery.
5. Place the Main Unit and battery in a cool, ventilated place to dry completely.

STORAGE

- Do not store the product in environments with high or low temperatures, excessive dryness or humidity, direct sunlight, or dusty conditions, as harsh environments can damage electronic devices.
- Before storing the product, please charge the battery to about 60% to prevent over-discharge of the battery due to long-term idle.
- If not used for a long time, charge the battery to about 60% once every three months.
- The storage temperature should not exceed the range of -10°C to 50°C.
- If water enters the positive and negative poles of the battery, please place the battery in a safe place, do not charge it, and contact the distributor.

DISPOSAL AT END-OF-LIFE

This product must not be disposed of by incineration, land filling, or chemical risks to the environment.

The recommended disposal for any LEFEET C1 at its end-of-life is to dispose of the entire unit at or through an e-waste recycling center, program, or facility.

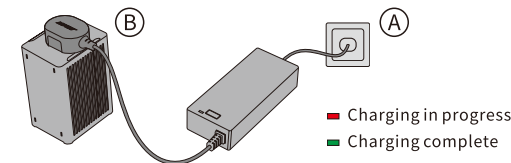
Local regulations and laws pertaining to the recycling and disposal of lithium-ion batteries and/or products containing them will vary according to country, state, and local governments. You must check laws and regulations corresponding to where you live in order to properly dispose of the battery and/or unit. It is the user's responsibility to dispose of their waste equipment properly with accordance with local regulations and laws.

For additional information about where you should drop off your batteries and electrical or electronic waste, please contact your local or regional waste-management office, your household waste disposal service, or your point-of sale.

5

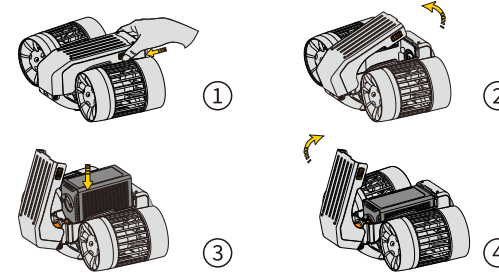
CHARGING

1. Connect the plug(A) of the battery charger to the AC power source (100V-240V; Use a power adapter plug if necessary).
2. Align and insert the charger head(B) of the battery charger into the battery charging port, and fully press down.
3. The indicator light on the charger will turn red, indicating that the battery is being charged. When it turns green, it means that the battery is fully charged. It takes about 2 hours to fully charge the battery.



INSTALL THE BATTERY

1. Slide the orange buttons on both sides backward and lift up to open the battery cover.
2. Install the battery with the battery label facing up, making sure that the latch at the back of the battery snaps onto the orange lever. (If the battery is not installed properly, the battery cover can not be snapped into place.)
3. Press the battery cover downwards until both orange buttons on the sides are back in their original position and you hear a "click" sound to ensure that the battery cover is securely closed.



* To remove the battery, simply perform the steps in reverse.

* Never submerge the device in water without installing the battery!

2

LEFEET C1 SPECIFICATIONS

Main Unit	Net Weight	~3kg (Including Battery)
	Dimensions	406*207*171 mm
	Work Temperature	0°C~40°C
	Waterproof Depth	30 m
	Speed Settings	Low/High
	Battery Runtime	30-60 mins
Battery	Maximum Thrust	8 kgf
	Charging Voltage	25.2 V
	Charging Current	3 A
	Rated Capacity	4500 mAh
	Rated Energy	97.2 Wh
	Charging Temperature	0°C~40°C
Charger	Charging Time	~2 h
	Net Weight	~800 g
	Input Voltage	100 ~ 240 V
	Output Voltage	25.2 V
	Output Current	3 A

*As the battery is consumed, the power will gradually weaken, and automatic speed reduction and speed level jumping may occur, or the high-speed level may not be available for use. This situation is considered normal.

*This data is for reference only. The actual duration of use will vary depending on different speed level, user weight, usage environment, etc.

SAFETY WARNINGS

LEFEET C1 is designed with user safety as the top priority. However, like any electronic sports product, using C1 also carries certain risks (such as losing control). Therefore, it is very important to read and follow all instructions and warnings in the user manual and make good judgments when using it.

We consider the use of LEFEET C1 products as the user's acknowledgment and acceptance of all related risks and responsibilities that may arise during use, including but not limited to muscle injuries, fractures, tears, or other serious injuries. The use of LEFEET C1 is at your own risk. We are not responsible for accidents caused by a lack of common sense.

Children under 14 years old can only use it under the supervision of parents or other adults. For better safety, please read and follow all instructions and warnings in the user manual.

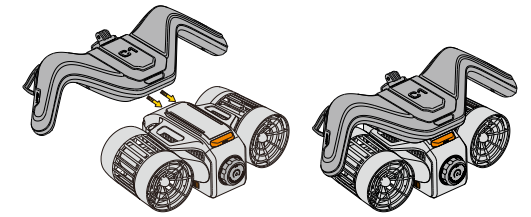
WARRANTY SERVICE

Main Unit LEFEET guarantees that the LEFEET C1 products you purchase are designed and manufactured according to the qualified standards. Under normal use, there is no functional defect during the warranty period. If you have any problem in the process of using, we recommend that you first check the user manual, furthermore, you can also download the user manual, FAQ, instructional video or support forum on our website.

Scope of Services Your LEFEET C1 includes a one-year limited hardware warranty which starts from the date of the sales invoice, the warranty period of the main body is 12 months while the warranty period of the battery is 6 months. If you cannot provide invoice or other valid proof of purchase, then the warranty period will start from 90 days after the production date that shows on the product, or otherwise specified by LEFEET. If repairs are not feasible or commercially unfeasible, we may replace this product with new or refurbished products with similar

INSTALL AND REMOVE THE CONTROL HANDLE

Align the control handle slot with the top rail of the main unit, slide it back until you hear a "click" sound to install it in place.



To remove the handle, press the orange button located between the main unit and the control handle, and slide the control handle out in the opposite direction.

POWER ON AND OFF, AND SWITCH SPEED LEVELS

Power on, power off, and switch between speed levels by rotating the knob. Power on or off: Rotate the main knob clockwise to the end and hold for 2 seconds. Release it after hearing the prompt sound to complete the power on or off operation."

Switching speed levels: Rotate the main knob clockwise to the end and quickly release it to switch to a different speed level. One light indicates low speed (1.3m/s), and two lights indicate high speed (1.6m/s).



*The speed test result is based on calm water testing, the actual speed may vary depending on the usage environment and user, which is considered normal.

*When the battery level is low, the speed level will automatically reduce to low speed and cannot be switched to high speed.

*The device will automatically shut down if there is no operation over 15 minutes.

3

features. After repair, firmware upgrade and replacement, the replaced product or accessory will be covered by the same warranty during the remaining warranty period of the original product.

How to Obtain After-Sales Services If a product does not function as warranted during the warranty period, please contact us through service@lefeet.com to obtain after-sales service. LEFEET may not offer after-sales service in certain area, the policy of after-sales service varies from different places. Additional charges may be required for services outside the regular service scope. Please contact us for information specific to your location.

What to do Before Obtaining After-Sales Services Please specify the problems with the product after contacting LEFEET. LEFEET technicians will attempt to diagnose and resolve your problem by phone, email, or remote assistance. If your problem cannot be resolved over the telephone, you may be required to deliver the product to LEFEET for further examination. LEFEET will arrange for repair or replacement service under this Limited Warranty Service.

Product and Part Replacement When after-sales service involves the replacement of a product or part, the replaced product or part becomes LEFEET's property and the replacement product or part becomes your property. Only unaltered LEFEET products and parts are eligible for replacement. Replacement products or parts provided by LEFEET may not be new, but it will be under good working order and at least functionally equivalent to the original product or part's capabilities. A replacement product or part shall be covered for the time remaining in the original product's warranty.

Use of Personal Contact Information If you obtain service under this policy, you authorize LEFEET to store, use, and process your contact information, including name, phone numbers, address, and e-mail address. You agree and understand that it is necessary for LEFEET to collect, process and use your information to perform service under this policy. We may contact you to inquire about your satisfaction with our service or to notify you about any product recalls or safety issues. In order to achieve these aims, you authorize LEFEET to transfer your information to any country where we do business and to provide it to entities acting on our behalf. We may also disclose your information where required by law.

What this After-Sales Policy does not cover •Collision or burning down accidents caused by man-made and non-product quality problems. •Damage caused by unauthorized modification and dismantling of the shell under the guidance of the unofficial instruction manual. •Damage caused by improper installation, use and operation not according to the user manual. •The customer repairs the parts by himself or asks an unauthorized service organization to repair/modify the parts without official instructions. •Damage caused by improper circuit modification guided by unofficial user manual and mismatch or misuse of the battery and charger. •Damage caused by misuse of the product or handling of the product under environmental conditions not in accordance with the user manual. •Damage due to peripherals, add-on devices, or accessories other than those recommended in the user manual. •Damage caused by insufficient discharge when the battery is low or when using a battery with quality problems. •The device has been damaged, including but not limited to damage caused by animals, lightning, abnormal voltage, fire, natural disasters and transportation. •Products or parts with an altered identification label or from which the type number, serial number, production date has been removed or unrecognizable. •The product cannot work properly because it is not used in the country/area where it was originally designed and manufactured or approved for use. •For third-party applications that you use on the product.

Limitation of Liability LEFEET only take charge of the loss or damage under following circumstances: Your product is owned by LEFEET or it is in LEFEET's transportation. Under no circumstance, and notwithstanding the failure of essential purpose of any remedy set forth herein, shall LEFEET, its affiliates, suppliers, dealers, or service providers be liable for any of the following even if informed of their possibility and regardless of whether the claim is based in contract, warranty, negligence, strict liability or other theory of liability: 1) Third party claims against you for damages; 2)Special, incidental, punitive, indirect or consequential damages, including but not limited to lost profits, business revenue, goodwill or anticipated savings. In no case shall the total liability of LEFEET, its affiliates, suppliers, dealers, or service providers for damages from any cause exceed the amount of actual direct damages, not to exceed the amount paid for the product.

More ways to use your LEFEET C1 can be found at www.lefeet.com

6

4

7