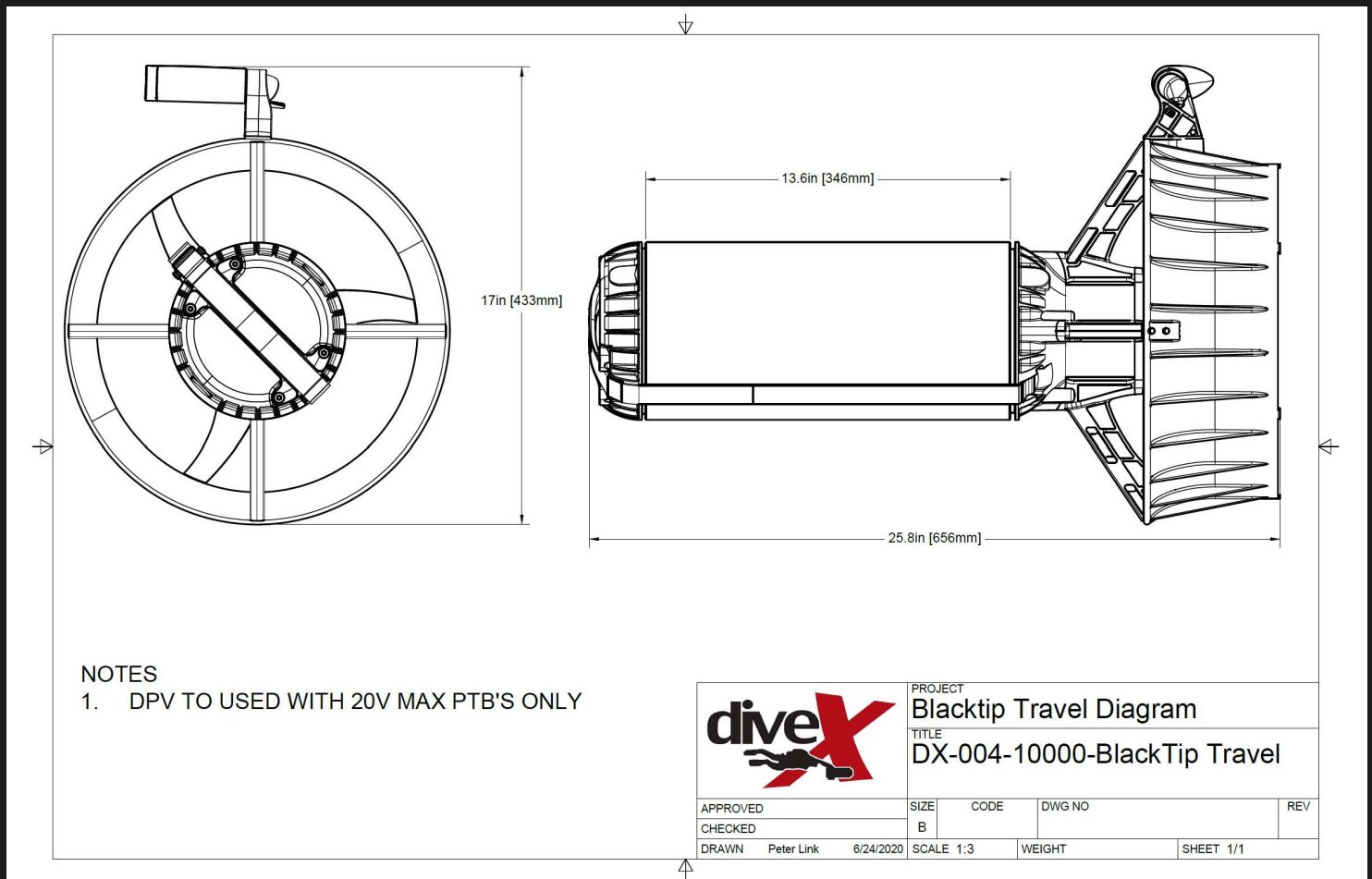


BlackTip Diagrams

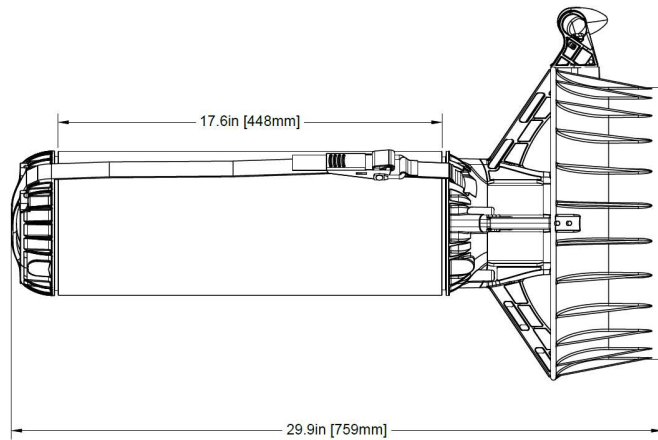
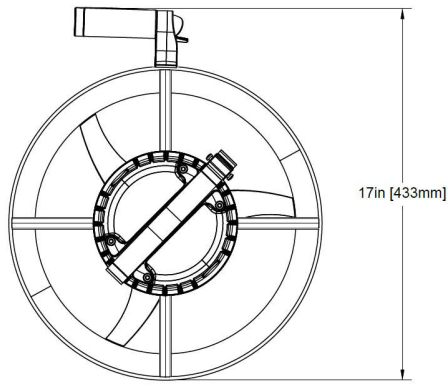
24 days ago · Updated

BlackTip Travel Dimensions




BlackTip Tech Dimensions



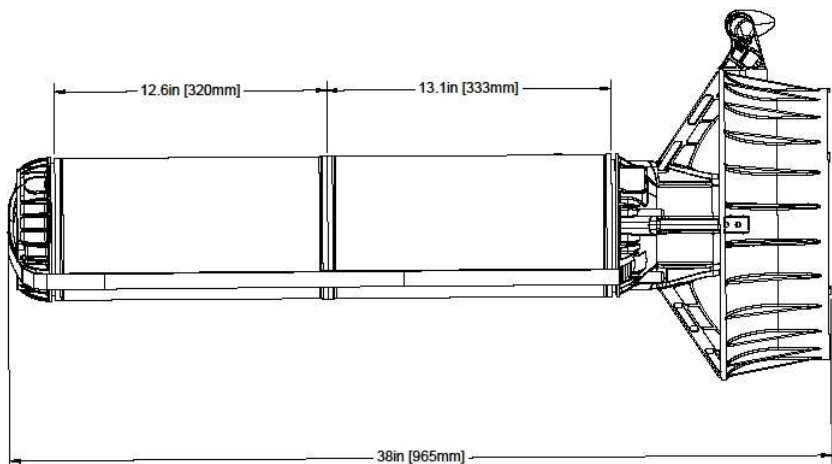
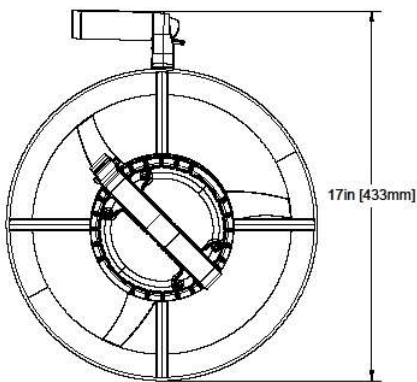


NOTES

1. DPV TO USED WITH 20V MAX PTB'S ONLY
2. WEIGHT WHEN NEUTRAL:
 - 2.1. FRESHWATER: 13.5 KG (29.7 LBS)
 - 2.2. SALTWATER: 13.7 KG (30.1 LBS)
3. FOR DPV TO BE TRIM & NEUTRAL FROM FACTORY PTB'S MUST WEIGH 1445 +/- 5 GRAMS

		PROJECT			
		Blacktip Tech Diagram			
APPROVED _____ CHECKED _____		SIZE	CODE	DWG NO	REV
		B			
DRAWN	Peter Link	6/25/2020	SCALE 1:4	WEIGHT	SHEET 1/1

BlackTip Exploration Dimensions



NOTES

1. DPV TO USED WITH 20V MAX PTB'S ONLY
2. WEIGHT WHEN NEUTRAL:
 - 2.1. FRESHWATER:
 - 2.2. SALTWATER:
3. FOR DPV TO BE TRIM & NEUTRAL FROM FACTORY PTB'S MUST WEIGH 1445 +/- 5 GRAMS

		PROJECT			
		BlackTip Exploration Diagram			
APPROVED _____ CHECKED _____		SIZE	CODE	DWG NO	REV
		B			
DRAWN	Peter Link	6/26/2020	SCALE 1:5	WEIGHT	SHEET 1/1