

ASIWO®



USER MANUAL SEA SCOOTER



14+



WEIGHT
9.7LB/4.4KG



DEPTH
131FT/40M



RUN TIME
75 MINUTES

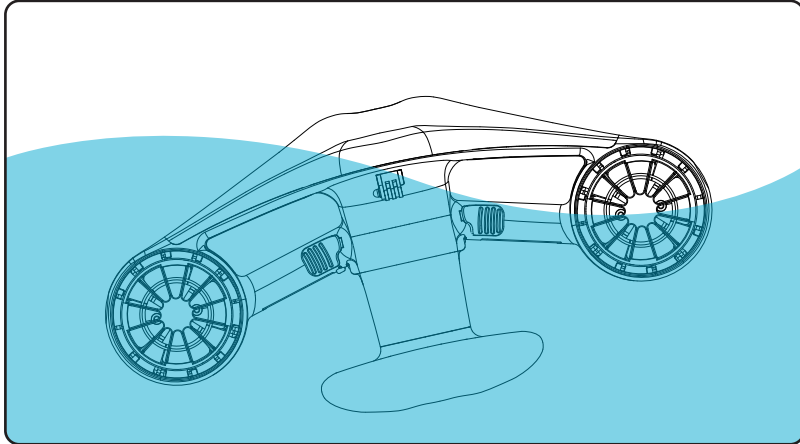


SPEED
1.5M/S

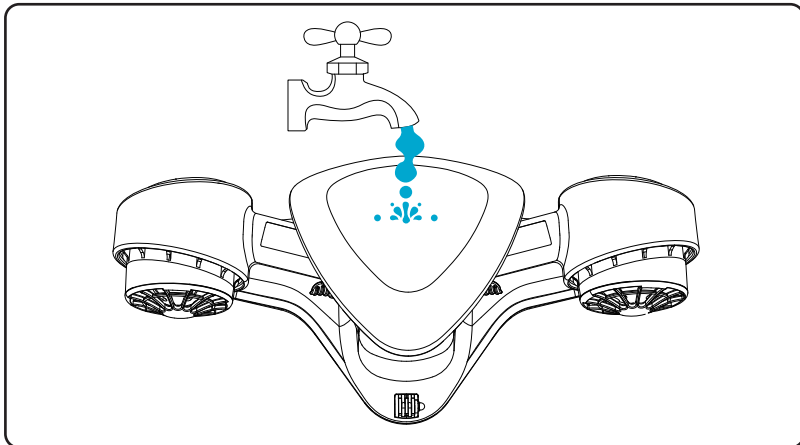


GEAR
3 SPEED



Please soak the Sea Scooter into freshwater several minutes after use.



Always rinse the sea scooter in fresh water and dry it before storage.

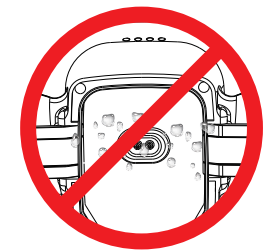
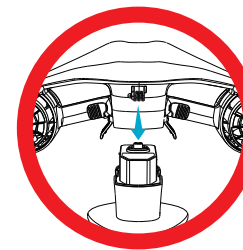
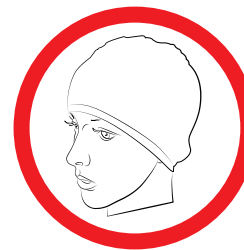


THANK YOU FOR CHOOSING OUR SEA SCOOTER !
Before operating the sea scooter, read this User's Guide for the proper instruction on use and care of the scooter !

 <p>The lightning flash and arrow head within the triangle is warning sign alerting you of dangerous voltage inside the product.</p>	<p>CAUTION</p> <p>RISK OF ELECTRIC SHOCK DO NOT OPEN</p> <p>CAUTION: TO REDUCE THE RISK OF ELECTRIC SHOCK DO NOT REMOVE COVER (OR BACK). NO USER SERVICIABLE PARTS INSIDE. REFER SERVICING TO QUALIFIED SERVICE PERSONNEL.</p>	 <p>The exclamation point within the triangle is a warning sign alerting you of important instructions accompanying the product.</p>
---	--	---

⚠ WARNING

- Do not forget to soak the sea scooter in freshwater for few minutes immediate after use.
- Always rinse the sea scooter in fresh water and dry it before storage.
- Do not use detergents, only use a damp cloth to wipe the unit clean.
- The battery connector must be kept dry at all times.
- If salt water has entered, rinse battery pack with fresh water and dry it.
- Keep downward direction when you are changing battery pack.
- Pls keep dry for the connectors.
- Pls wear a swimming cap, Particular care should be exercised while using with open hair.



Before You Begin

Before learning to use your scooter, You must read this user manual to follow all instructions and warnings. It is important that you follow all safety warnings and cautions that appear throughout the user manual and that you use good judgment when you use your scooter.

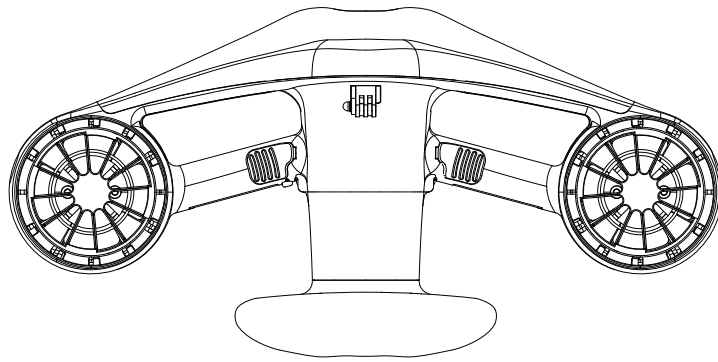
The Risk of injury

For safety purpose always wear a Approved- PFD (Personal Flotation Device) while snorkeling.

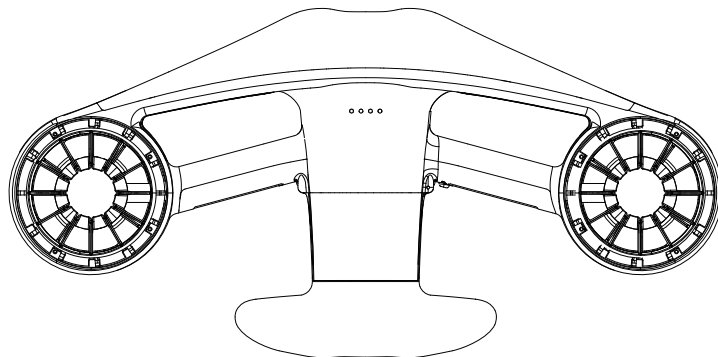
Always inspect the swimming area to ensure it is free of hazards or obstacles such as boats and swimmers before using the sea scooter. When using the sea scooter for scuba, ascents and descents should be made in accordance with recognized diving practices.

Disposal and Storage

Disposal of according to local laws. Always keep the sea scooter out of direct sunlight when not in use. Heat kills batteries.

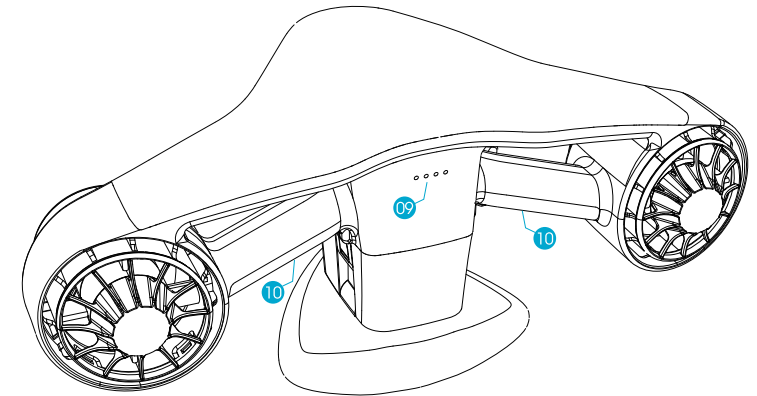
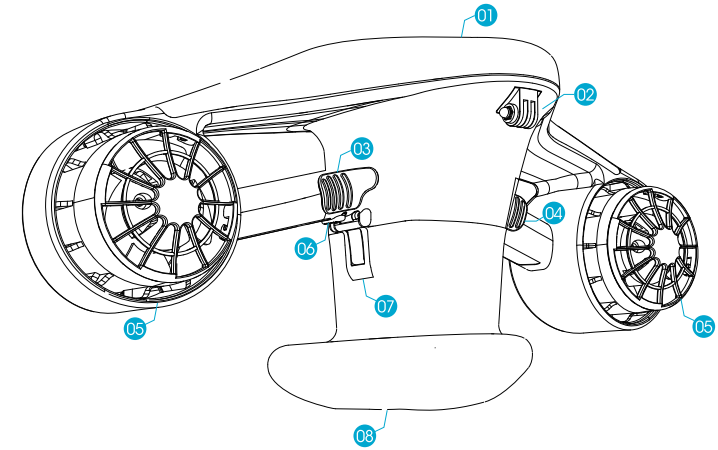


Front



Back

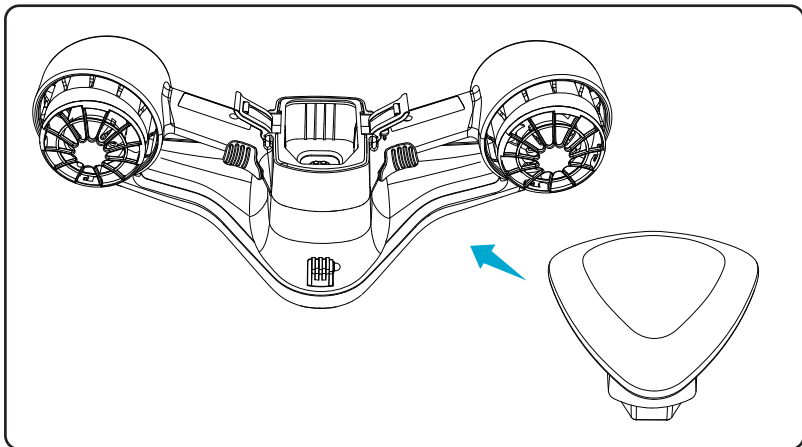
Main Components



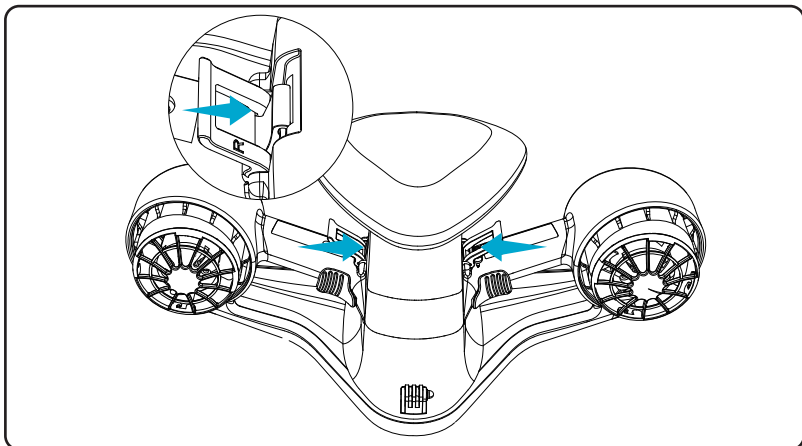
- 01 Buoyancy tank
- 02 Sports camera holder
- 03 Right switch / Acceleration switch
- 04 Left switch / Deceleration switch
- 05 Motor / Propeller
- 06 Switch locker
- 07 Battery pack locker
- 08 Battery pack
- 09 LED indicators
- 10 Handle

Install & Uninstall the Battery Pack

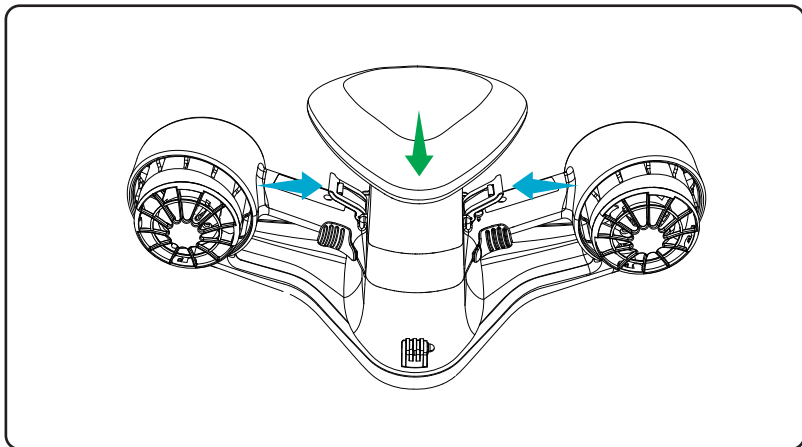
1. Put the battery pack into the body



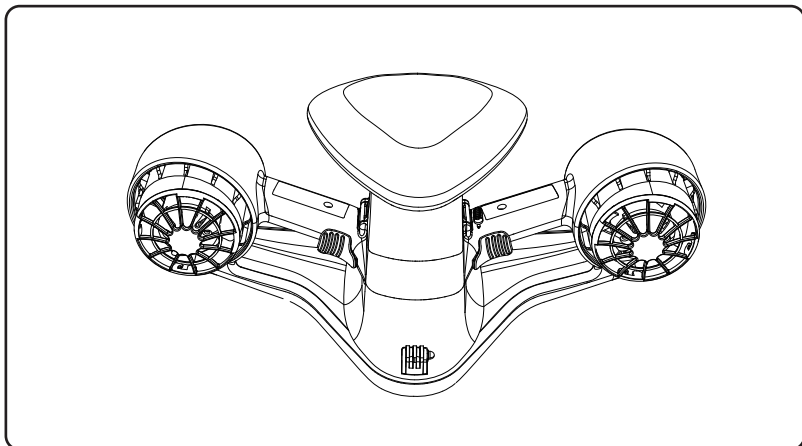
2. Fix the inner buckle of the battery pack



3. Battery will adjust according to its space and fit in.

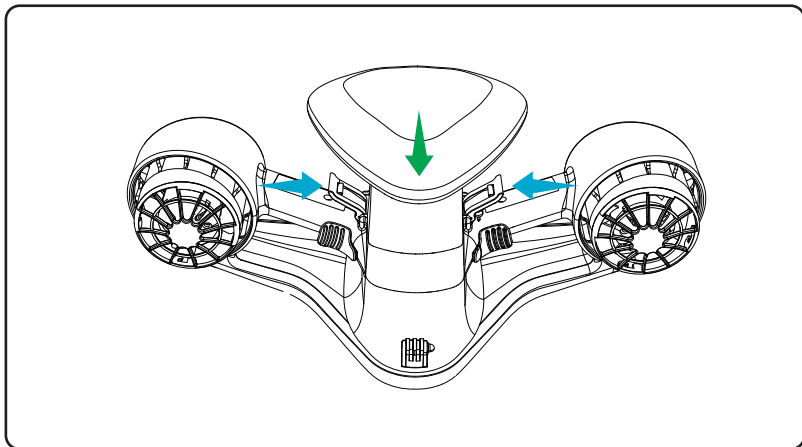


4. The battery pack is installed well

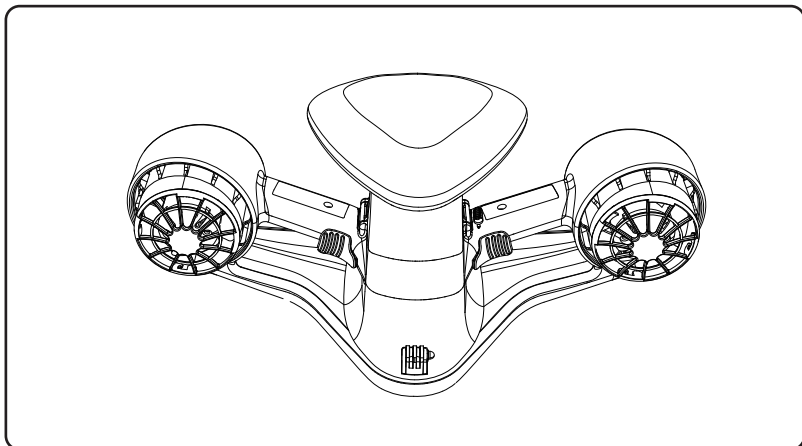


Install & Uninstall the Battery Pack

3. Battery will adjust according to its space and fit in.

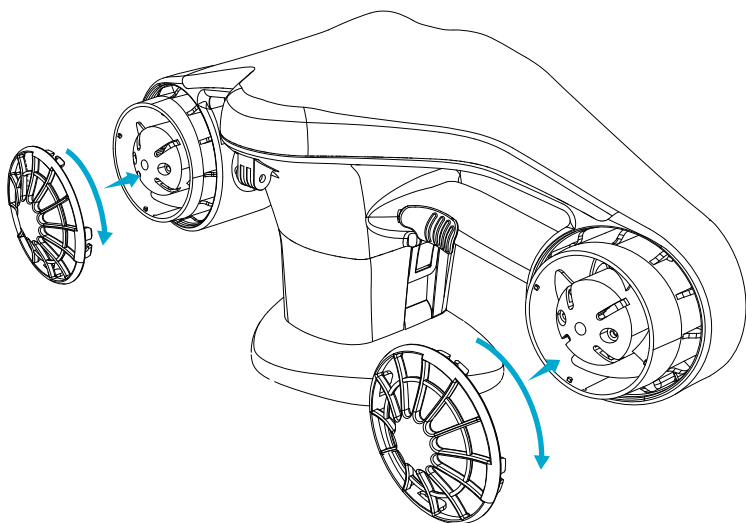


4. The battery pack is installed well



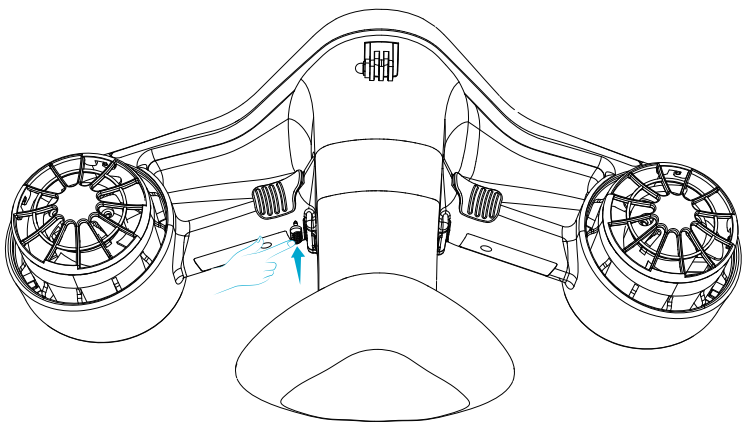
The covers of propeller is detachable design

- Align the propeller and grilles cap, rotate it clockwise adjust until fitting sound occur.



How to use

- Place the sea scooter into the water. When ready to set off, unlock the Switch first, press and hold both Triggers to start the propeller. To stop the propeller, simply release the Trigger. Always lock the Switch off when out of the water.

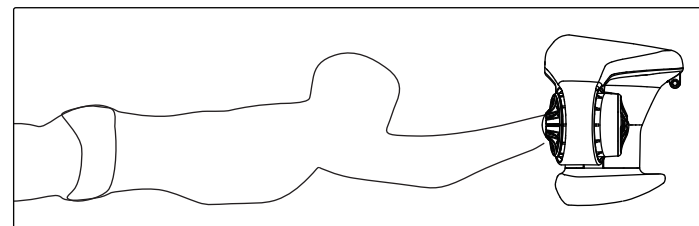


- There are 3 speed modes of the Sea Scooter, always start from 1st level of speed mode and increase according to convenience.

- Hold the Left Trigger and press Right Trigger twice to increase the speed.
Hold the Right Trigger and press Left Trigger twice to decrease the speed.

Gear	Speed(m/s)	Run time(min)	Thrust(kgs)
1	0.6	75	4.5
2	1	45	6.5
3	1.5	25	9

- Proper posture when using the sea scooter is important to achieve the maximum speed-see figure for the correct position of the sea scooter.



CAUTION

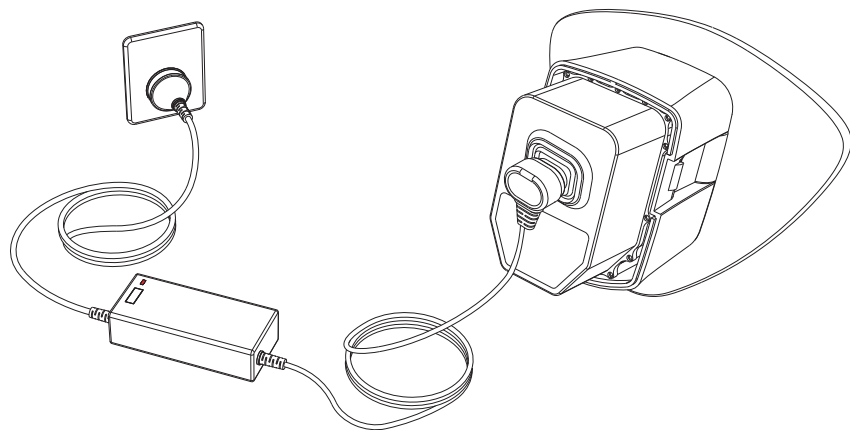
Do not dive deeper than you would normally when snorkeling, to ensure you can get back to the surface safely.

Charge Battery Pack (for EL-SS01Power)



CAUTION:

The battery pack can not be charged as the temperature is over 48°C (118°F), as the temperature drop down, then start to charge.



Do NOT insert the power cord plug if the charge port, power cord or AC power outlet is wet.

Charge Battery Pack (for EL-SS01DPower)

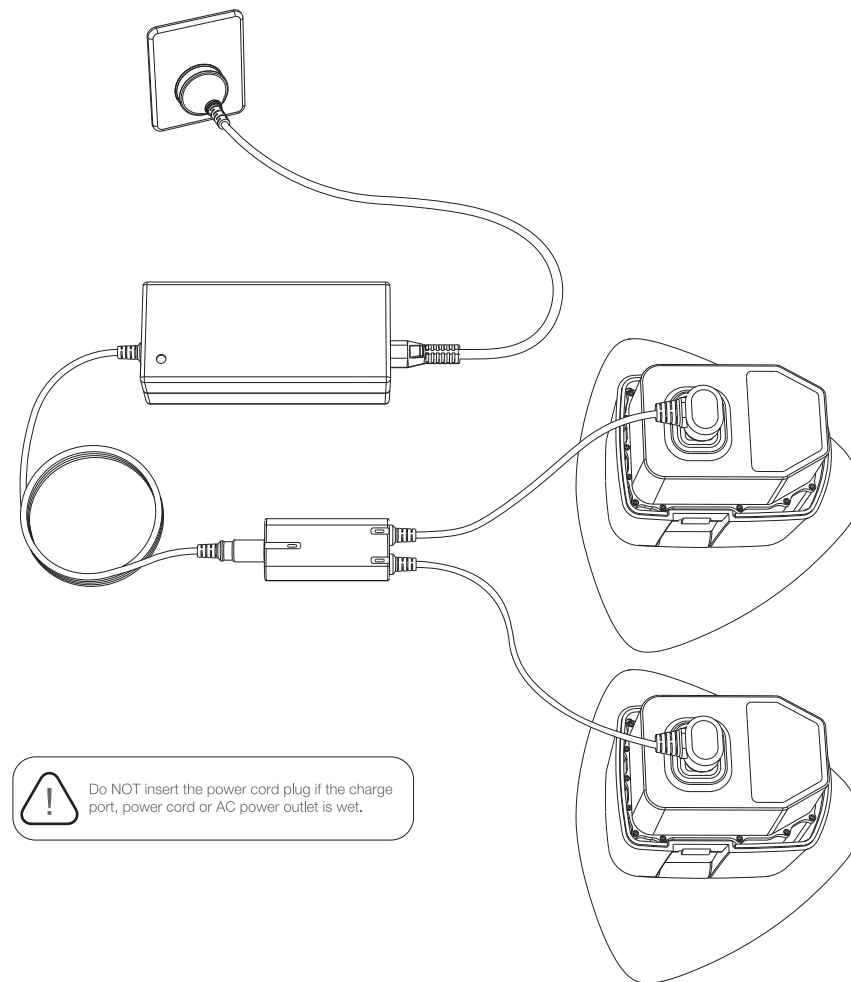
Optional charger adapter can charge two batteries at the same time, higher voltage battery will be charged first.

Note: This battery charger is optional, user can select as per requirement.



CAUTION:

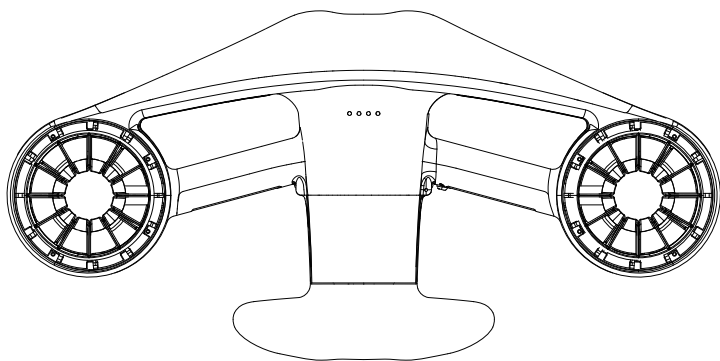
The battery pack can not be charged as the temperature is over 48°C (118°F), as the temperature drop down, then start to charge.



Do NOT insert the power cord plug if the charge port, power cord or AC power outlet is wet.

LIGHTS DURING USE:

- ● ● ● High level of charge
- ● ● ○ Medium level of charge
- ● ○ ○ Low level of charge
- ● ● ● ○ ○ ○ Empty, needs charging



※ 1 quick flashing light indicates below 20% of battery level, needs to charge.

Caution: Normally, the battery will be warm after use with 3rd gear

CONTENTS

- Sea Scooter x1
- Battery Pack x1
- AC Charger x1
- Carry Bag x1
- Protection Leash x1
- User Manual x1

TECHNICAL SPECIFICATIONS

Model:	EL-SS01Power/EL-SS01DPower	Run time:	75 mins
Input:	DC 29.4V / 2A	Charging time:	4-5 hours
Capacity:	10.0Ah 25.2V 252Wh	Environment:	-10° -40°
Max. speed:	1.5 m/s	Net Weight:	9.7 lbs / 4.4kgs
Max. depth:	131 ft / 40 m	Size:	527*213*258 mm

We certify that the power supply is used as a device for disconnecting the power distribution network, which should stay easily accessible.

FAQ:

· Is the sea scooter sinking into the water?

A No, it will float slightly on the water.

· Can I replace the battery underwater or put battery pack into water?

A No, it's not Safe. The connector of battery pack and main board will break.

· Is the sea scooter waterproof?

A Yes, The battery, motor and main board connectors are waterproof. Water will enter inside the body while using it.

· Why need soak and rinse the sea scooter with fresh water after use?

A Seawater contains salt crystals, sand particles and Swimming pool have chlorine/acids that can cause of corrosion. So it is necessary to rinse it with Fresh Water within few minutes after the dive. The longer you delay to remove materials that cause potential corrosion the more damage can be done.

· Why should the battery and sea scooter be kept dry?

A Make sure the battery and main boards connectors are completely dry before storage, otherwise it will be damage due to oxidation in electrolysis after power-on.

· Why does the motor can not work after power-on some time?

A It may be the sand particles or crystals in the motor compartment. Please put the machine into the water for few minutes and then start the machine continuously until the motor works normally.

· Can I use the battery pack if the case was broken ?

A No, We suggest you to contact your local dealer to replace the battery pack.

· Is the sea scooter failure if four battery indicator light are flashing at the same time?

A Yes, the sea scooter has a self-healing function. It will work again, just release the switch and wait for the light indicator to go out.

· Will the speed decrease as the power is decremented?

A No, Speed will remain same until the power off.

· Why does the battery can not be charged after plug it?

A The batter pack may be heat after use , so it can not be charged immediately, as the temperature drop down, then start to charge.

CONTACTS:

E-Mail: customer@asiwo.com