

BRIDGE INDUCTION COOKTOP - 2 BURNER, 120V



SPECIFICATIONS

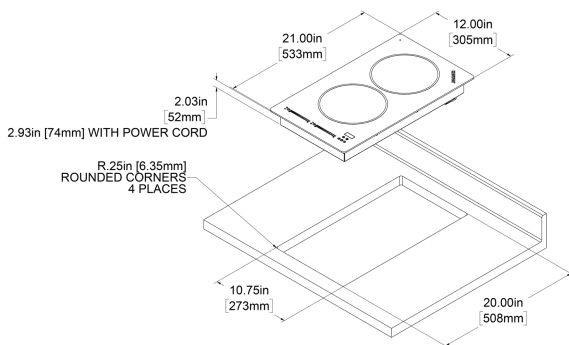
Part Number:	B80321
Orientation :	Portrait
Burners:	2 (6.25" each)
Voltage:	120V AC 50/60Hz
Amps:	15 amps
Output:	1750W Total Maximum Wattage
Control Type:	Touch Control
Overall Dimensions:	12" W x 21" L x 3.3" D (beneath counter)
Actual Weight:	19 lbs.
Installation:	Drop-in; NEMA 5-20 plug



Experience state-of-the-art cooking at it's best with the Bridge induction cooktop. Precision induction elements deliver high heat while providing consistent cooking results with greater energy efficiency and safety. Smooth black glass, durable, and easy to clean. Safety features include auto shut-off, child lock, heat limiting cooking surface protectors and an on indicator light. The included silicone mat covers the cooking, glass top protection and easy clean up. Simply throw the mat in the dishwasher or clean in the sink.

FEATURES

- Smooth black glass with stainless steel graphics
- Easy-to-use Slide Touch Controls offer smooth, intuitive and precise power control
- Control-lock allows you to lock the cooktop to prevent small children from activating the controls
- With the Boost setting activated, easily achieve the maximum heating power to boil water faster
- Quick heat dissipation
- Waterproof digital touch control panel
- Automatic shut-off at 60 or 90 minutes
- Included silicone mat protects cooking area and is dishwasher safe
- Smart Timer - keeps food warm after completion (time out)
- Round edged ceramic glass is durable and easy to clean



ACCESSORIES



Kenyon backs every cooktop with a 3-year product replacement warranty



Tested to UL-858



StackEN™ Essentials -A70063

Custom-designed and suited for use on Induction, Glass, Vitro-Ceramic, Halogen and Gas cooking stoves.



KENYON®

WWW.COOKWITHKENYON.COM

Kenyon International, Inc. | P.O. BOX 925 | Clinton, CT USA | (860) 664-4906