

★ YODER SMOKERS ★

PREMIUM GRILLS & SMOKERS

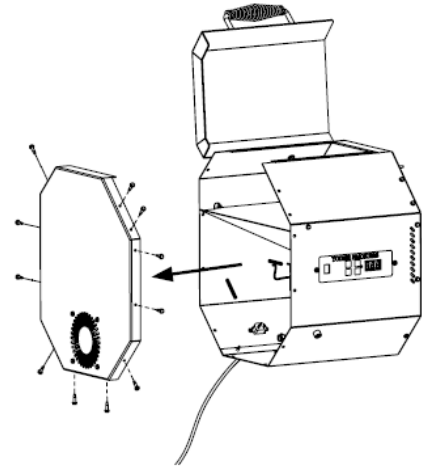
NEW FAN KIT INSTALLATION INSTRUCTIONS

(Y5480, Y5640, Y51500 MODELS)

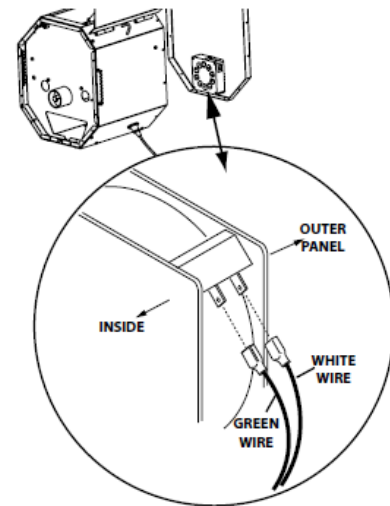


! CAUTION: BEFORE BEGINNING THIS PROCEDURE, INSURE THAT THE POWER CORD TO THE SMOKER IS DISCONNECTED! FAILING TO DO SO MAY RESULT IN BODILY INJURY.

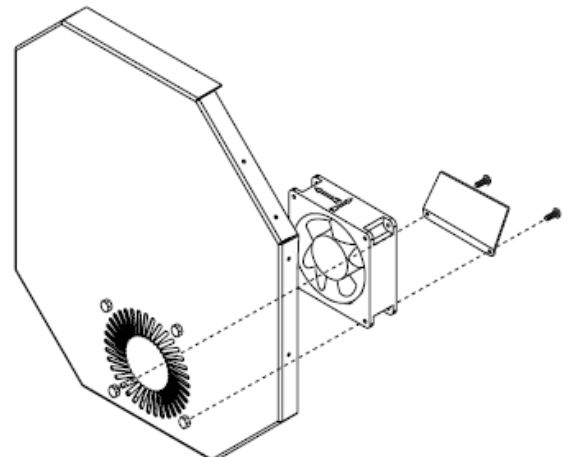
1. Remove the eleven screws (#10 x 3/4" Hex Head Screws) securing the hopper end panel, and then pull out the panel.



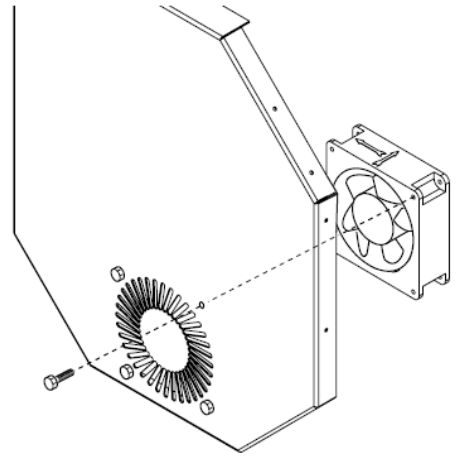
2. Disconnect the two wires (one green, one white) from the outer fan. **NOTE: (Disconnect the two purple wires from the fuse holder on Comp cart models only)**



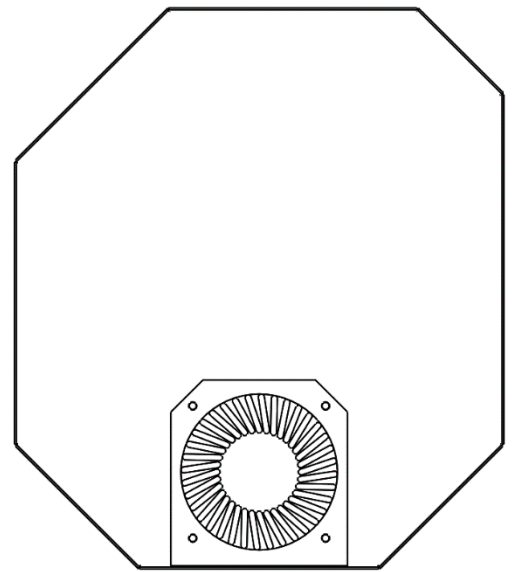
3. Remove the fan diffuser from the outer fan by loosening the two screws.



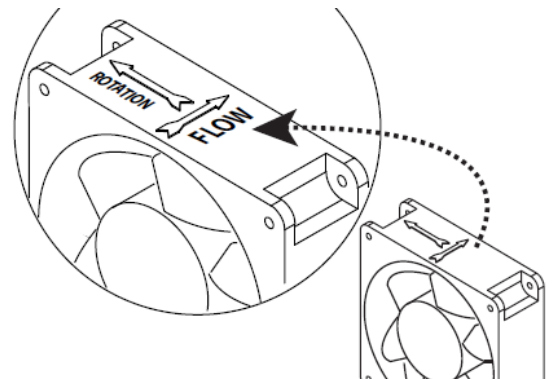
4. Remove existing fan from outer Hopper panel by removing the four screws (#10x3/4 hex head screws).



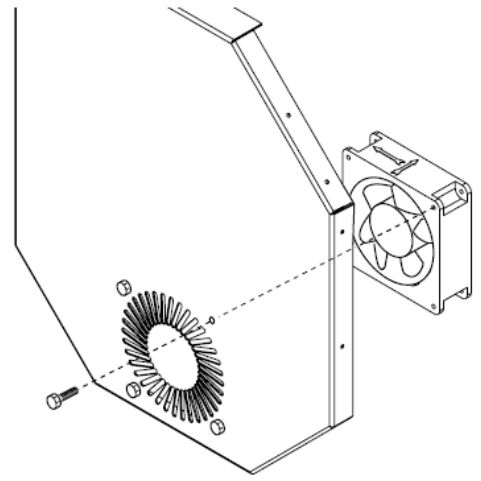
5. Install the fan isolator gasket to the outer panel. If your grill already has one, proceed to step 6. Remove the paper backing from the gasket and align the four holes (**with the cut corners upward**) with the holes in the end panel and press the adhesive side of the gasket against the end panel.



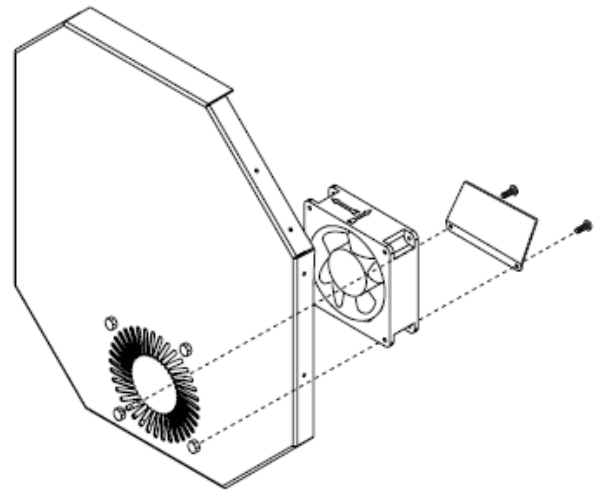
6. **Important:** On the top of both fans are directional arrows indicating the correct orientation for the fans. Make sure that the new fan matches the air flow orientation as shown below. (air flow direction pointed towards chamber)



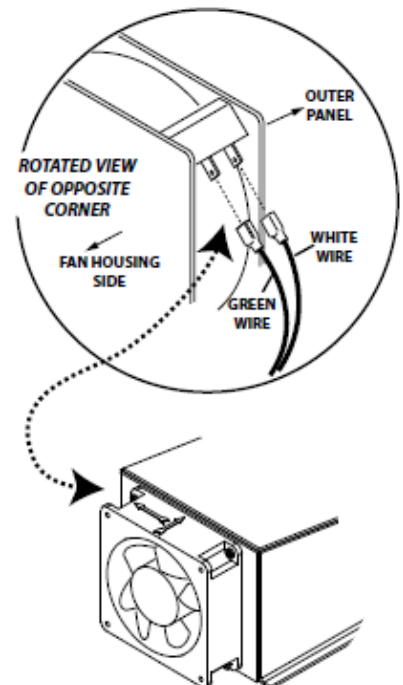
7. Install the new outer fan to the hopper end panel using the 4 screws removed in step 3. (#10 x 3/4" Hex Head Screws)



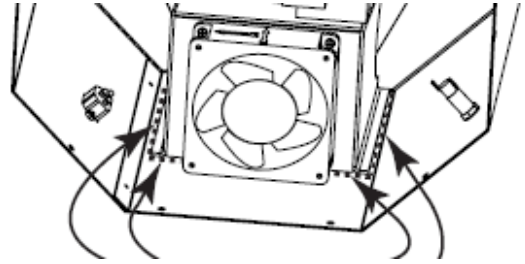
8. Install the fan diffuser to the outer fan using the two screws.



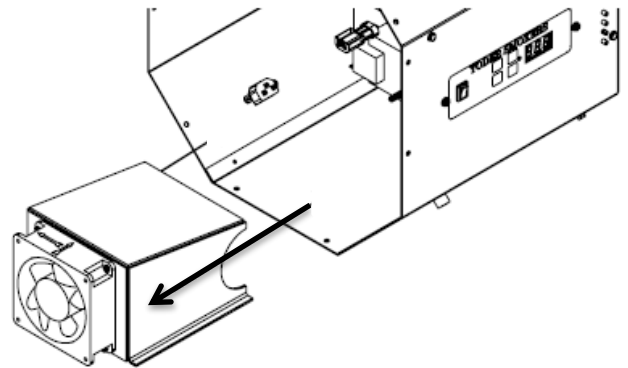
9. Disconnect the two wires (one green, one white) from the inner fan.



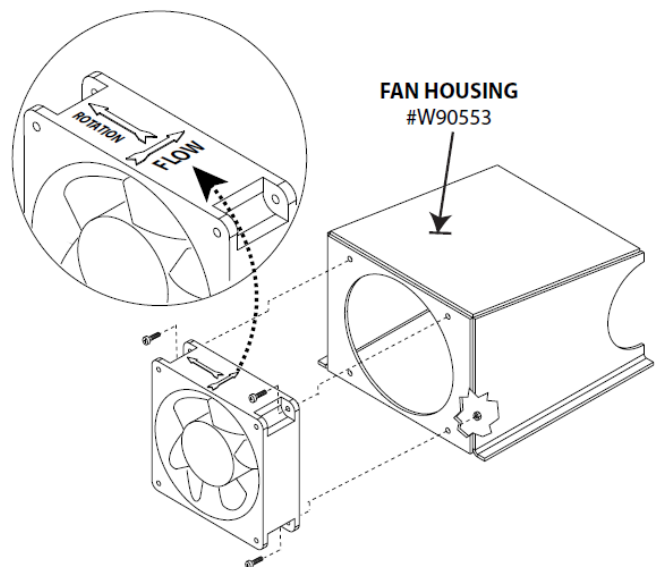
-
10. Next use a flat head screwdriver to loosen the housing from the silicone that is securing the inner fan housing in place. **NOTE: 240 volt models only (loosen the ground wire screw, nut and star washer before removing the housing)**



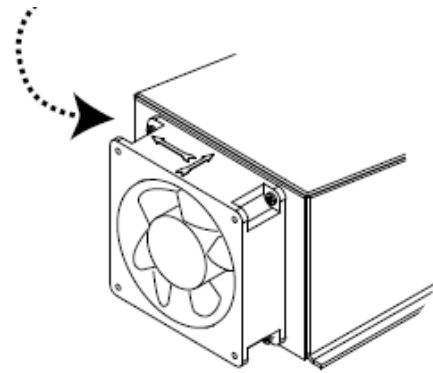
-
11. Remove the housing with the fan attached from the hopper to replace the inner fan.



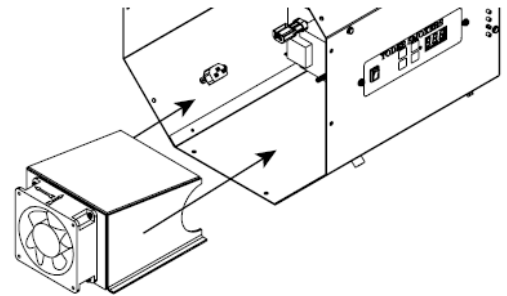
-
12. Using a Phillips head screwdriver, loosen the four screws (#8-32x1/2" Phillips head machine screws) and nuts (#8-32).



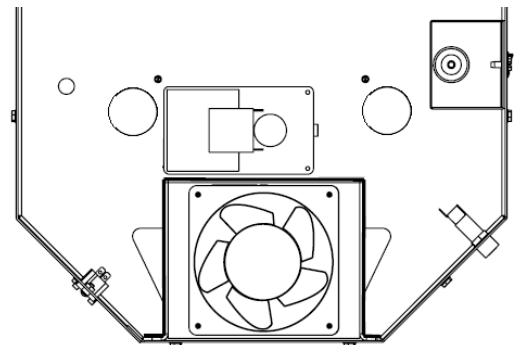
-
13. Install the new inner fan making sure that the air flow arrow is pointed towards the housing and the wire terminals are positioned to the upper left.



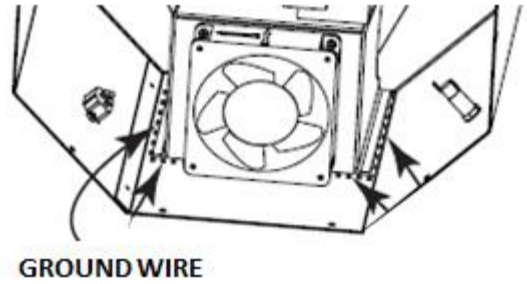
-
14. Apply silicone to the underside of each side of the housing and slide the housing in place against the inner hopper wall. **NOTE: make sure that the igniter wire is in the large “C” cutout on the housing.**



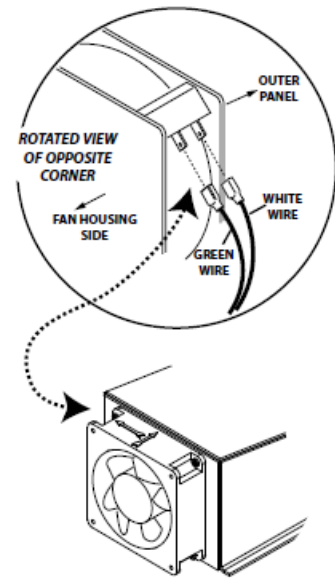
-
15. View showing inner fan assembly positioned under the auger motor assembly:



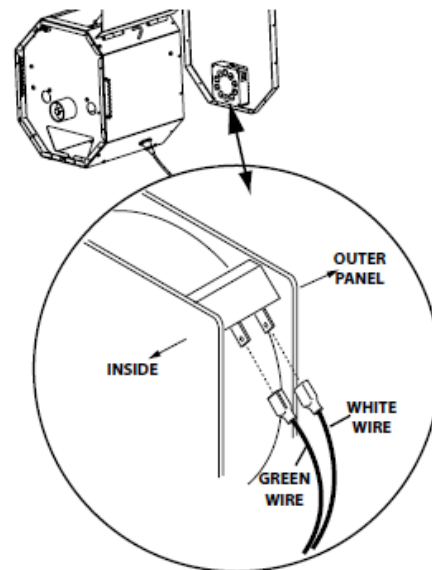
16. (240-volt models only) Position the housing so that the screw that was removed for the ground wire can be inserted into the housing. Secure the ground wire using the screw, nut and star washer removed in step 9.



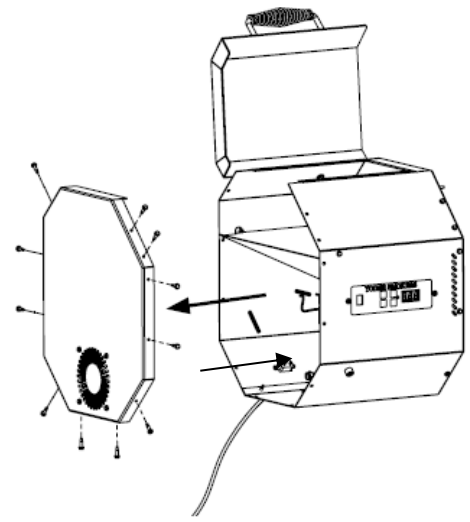
17. Connect the two wires (one green, one white) to the inner fan.



18. Connect the two wires (one green, one white) to the outer fan. **NOTE: (Connect the two purple wires to the fuse holder on Comp cart and ACS controller models only)**



19. Install the end panel using the eleven (#10 x 3/4" Hex Head Screws) screws to secure the hopper end panel.



**THIS COMPLETES THE
HARDWARE INSTALL**



FOR PRODUCT SUPPORT:

877.409.6337 (Ext. 2)

customerservice@yodersmokers.com

WWW.YODERSMOKERS.COM