

TOP-3322-9-D

SPECIFICATION SHEET

Stainless Steel
Top-Mount Sink
Double Bowl Kitchen Sink



Codes and Standards

- a. cUPC ASME A112.19.3/CSA B45.4

Product Features

- a. Installation type: Top-Mount
- b. Material: 304 Stainless Steel, 22 gauge
- c. Drain hole location: Center
- d. Sound Pad
- e. Four Faucet Holes

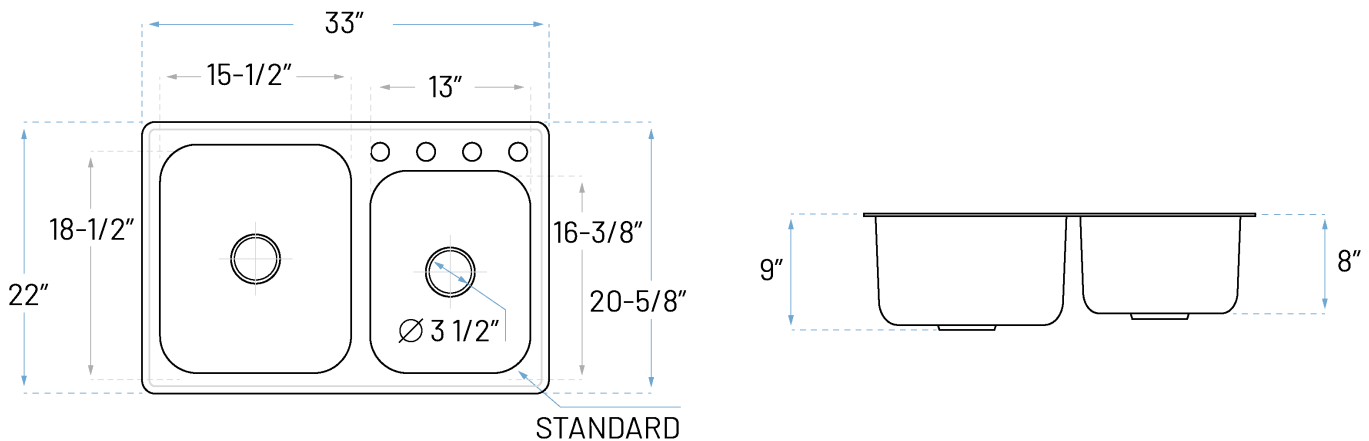
Technical Specs

- a. Drain Size : 3-1/2"
- b. Outer Dimensions : 33" x 22" x 9"
- c. Left Bowl Size : 15-1/2" x 18-1/2"
- d. Right Bowl Size : 13" x 16-3/8"
- e. Water Depth : 8-3/4"
- f. Cabinet Width : 36"
- g. Corner Radius : Standard



Accessories Included

- a. Installation Clips



ADDRESS: 22713 COMMERCE CENTER COURT STE 140 DULLES, VA 20166
PHONE: 571-291-3484 | customerservice@allorausa.com
WEBSITE: www.allorausa.com

ALLORA USA NOTES / DISCLAIMER:

Allora USA is not responsible for, nor does it have any liability for any mistakes or typographical errors including liability for incidental, consequential, or special damages. Allora USA recommends that the model to be installed be present, inspected and measured prior to utilizing the related spec sheets and any work, preparations or alterations are made to any counter-top material. See website for detailed warranty information. Allora USA reserves the right to make revisions without notice to product specifications.

REV. Jun 28, 2023

TOP-2919-8-D

SPECIFICATION SHEET

Stainless Steel
Top Mount Sink
Kitchen Sink



Sink Dimensions

- Exterior Overall: 33" x 22"
- Bowl Left Interior: 15-1/2" x 18-1/2"
- Bowl Right Interior: 13" x 18-1/4"

Features

- Depth: Right 9" - Left 8"
- 22 gauge / 304 stainless steel
- Drain location: Center
- Drain Opening: 3-1/2"
- Sound dampening pads
- Mounting hardware included
- Cut-out template included

Codes / Standards

- cUPC 9ASME A112.19.3/CSA B45.4

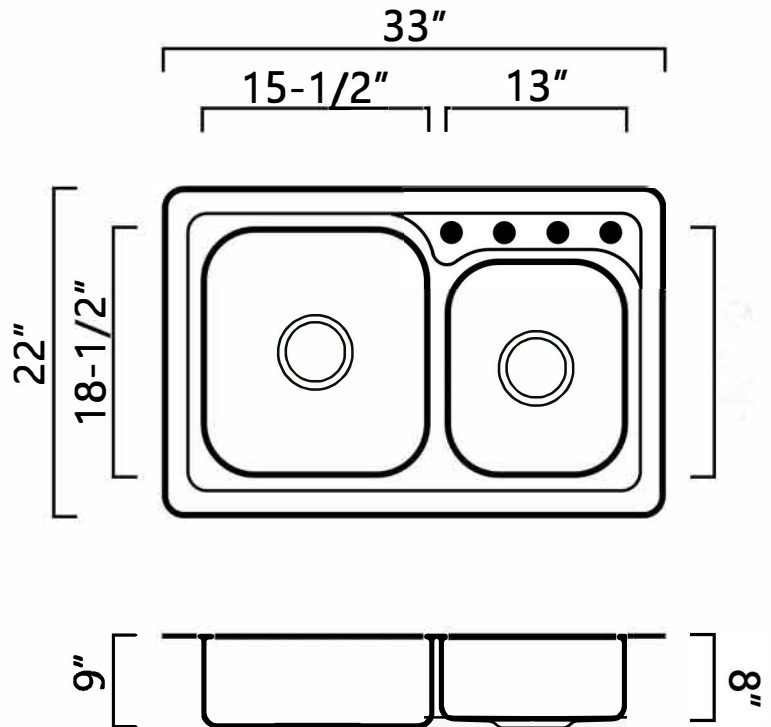


Allora USA Limited Lifetime Warranty

See website for details www.allorausa.com

ALLORA USA NOTES / DISCLAIMER:

All technical data provided is done as a service to customers of Allora USA and the end users of our products. Allora USA is not responsible for, nor does it have any liability for any mistakes or typographical errors including liability for incidental, consequential or special damages. Allora USA recommends that the model to be installed be present, inspected and measured prior to utilizing the related spec sheets and any work, preparations or alterations are made to any counter-top material. Nothing contained on this site is to be construed as contractual or providing any form of warranty or representation on the part of Allora USA. ALLORA USA MAKES NO WARRANTIES, EXPRESS OR IMPLIED, INCLUDING BUT NOT LIMITED TO ANY WARRANTY OF MERCHANTABILITY OR OF FITNESS FOR A PARTICULAR PURPOSE, AS TO THE INFORMATION CONTAINED HEREIN OR THE PRODUCTS DESCRIBED HEREIN.



ADDRESS: 22713 COMMERCE CENTER COURT STE 140 DULLES, VA 20166
PHONE: 571-291-3484
WEBSITE: WWW.ALLORAUSA.COM