

# SD-101

## SPECIFICATION SHEET

Soap Dispenser



### Product Features

- a. Installation: Deck mounted
- b. Easy refill from top
- c. Base Material: Super-durable PE plastic

### Technical Specs

- a. Reach : 4"
- b. Height from Counter : 2-1/4"
- c. Width : 2"

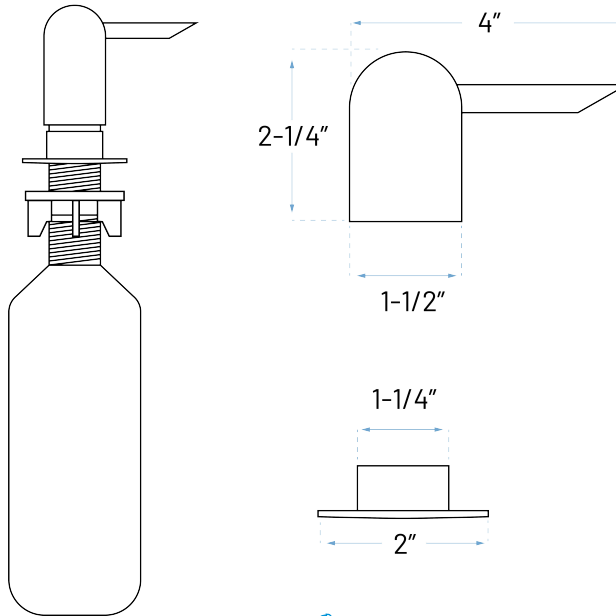


Brushed Nickel Shown  
SD-101-BN

### Accessories Included

- a. Installation Instructions

Finish Options	
Brushed Nickel	Chrome
BN	C



ADDRESS: 22713 COMMERCE CENTER COURT STE 140 DULLES, VA 20166

PHONE: 571-291-3484 | SALES: sales@alloraua.com | CUSTOMER SERVICE/TECH SUPPORT: customerservice@alloraua.com

WEBSITE: www.alloraua.com

#### ALLORA USA NOTES / DISCLAIMER:

Allara USA is not responsible for, nor does it have any liability for any mistakes or typographical errors including liability for incidental, consequential, or special damages. Allara USA recommends that the model to be installed be present, inspected and measured prior to utilizing the related spec sheets and any work, preparations or alterations are made to any counter-top material. See website for detailed warranty information. Allara USA reserves the right to make revisions without notice to product specifications.

REV. July 8, 2024