



# Installation Guide for Porcelain Undermount Sink

To ensure this product is installed properly, please read these instructions carefully before you begin. ALLORA USA recommends that all products should be installed by a professional experienced installer.

ALLORA USA is not responsible for any damages due to improper installed. Also be sure your installation conforms to local codes.

Before installing the sink, inspect it for damage. DO NOT install a damaged unit. Notify your ALLORA USA distributor of any damage. Replace sink its original packing.

## RECOMMENDED TOOLS & MATERIALS



Putty Knife



Adjustable Wrench



Plumbers' Putty



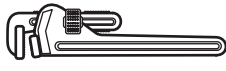
Channel Lock Pliers



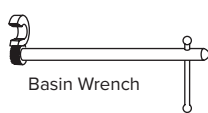
Silicone Adhesive



Tape Measure



Pipe Wrench



Basin Wrench



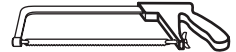
Tubing Cutter



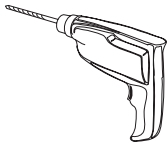
Phillips Screwdriver



Regular Screwdriver



Hacksaw



Drill

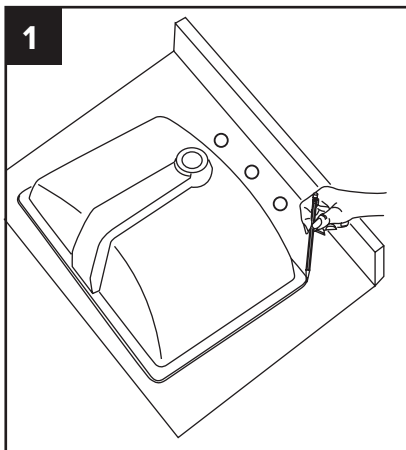


Saber Saw

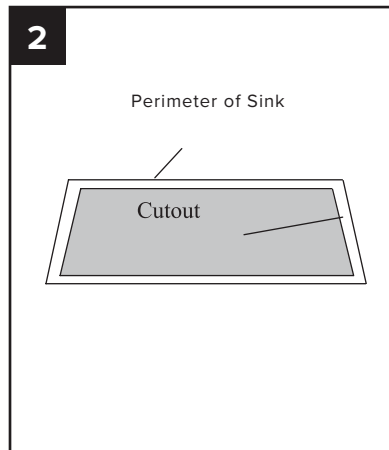


Safety Goggles

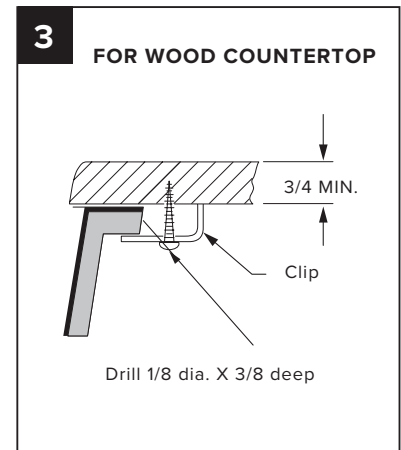
**NOTE:** Specialized tools may be necessary to install Allora USA Porcelain Undermount sinks to countertop materials other than wood or wood composites.



1 First, make sure the clearance between the backplash, faucet, fixtures and cabinets are acceptable for the new sink. NOTE: To avoid damage to countertop, install sink such that future removal from underneath the countertop is possible.

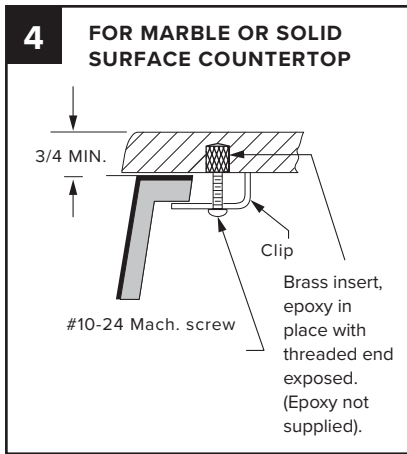


2 Carefully cut out the enclosed template, then position and trace the template on the countertop as shown on the template. Make a mark of the faucet hole centerline on the countertop. Drill a 1/2" pilot hole on the inside of the cut line. Use a saber saw or a keyhole saw to cut out the countertop opening.

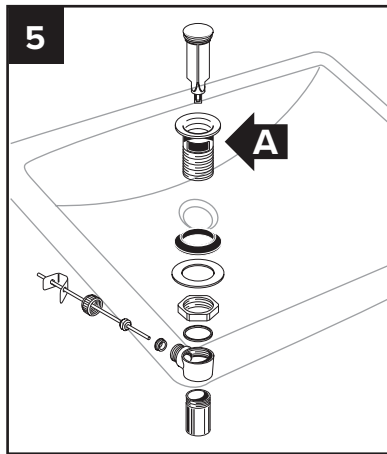


3 **FOR WOOD COUNTERTOP** Mark and pre-drill the wood screw holes as located on the enclosed template. Waterproof any exposed areas of wood.

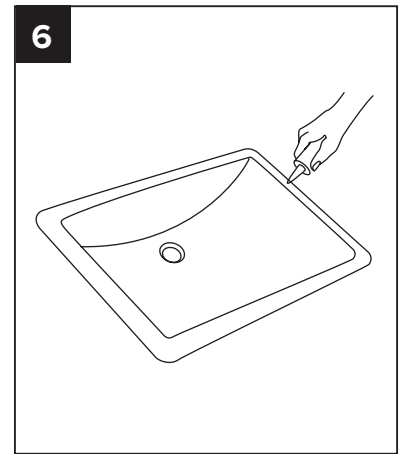
# Installation Guide for Allora USA Porcelain Undermount Sink



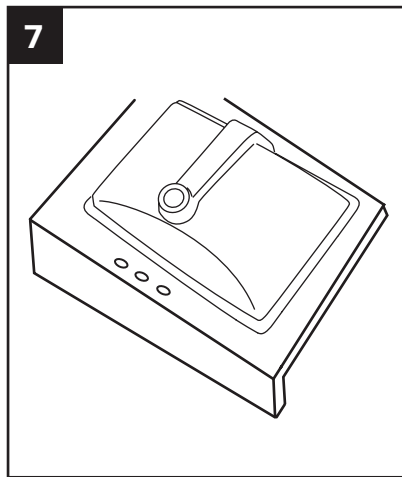
To protect countertop, place it on a foam padding and drill 3/8 Dia. X 1/2 deep hole as per location shown on template.



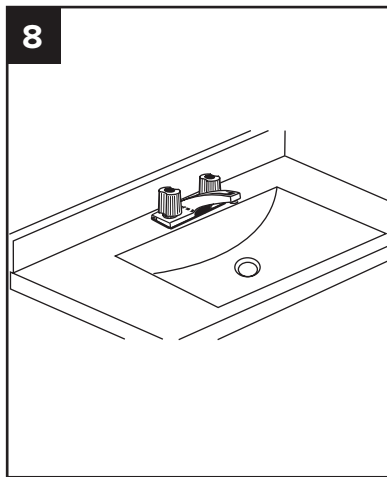
Mount the drain assembly (not included) on the sink, following faucet manufacturer's instructions. Be certain to apply a bead of sealing putty on the underside of the drain (Part "A") in order to ensure a watertight seal between the sink and drain. Remove excess putty after installing drain on sink.



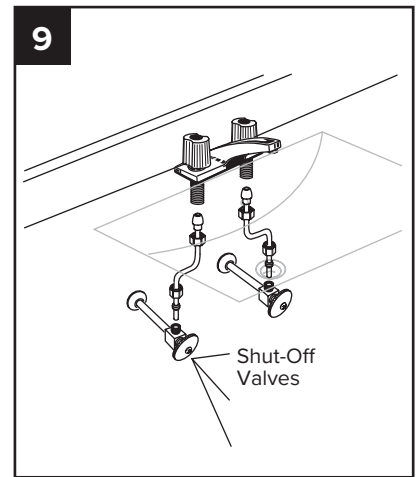
NOTE: Do not use adhesives or adhesive sealants. After checking fit and alignment of sink to cut out, apply a bead of silicone adhesive to rim of sink.



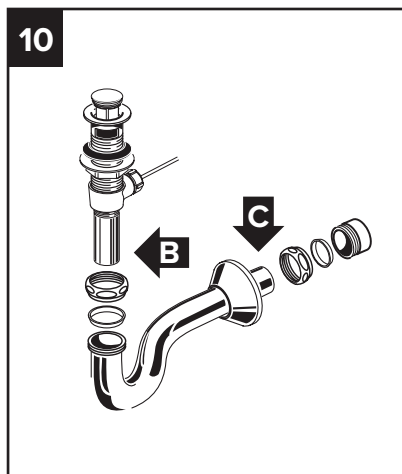
Center bowl over cutout and tighten screws (see 3 or 4) to secure bowl to countertop. Remove excess sealant from inside lip. NOTE: The screws provided should be used on countertops with a minimum 1" thickness. For thinner countertops, use appropriate anchors and fasteners.



Install faucet (not included) and countertop (not included) following manufacturers instructions.



Connect supply line to faucet (finger tight) and carefully bend tubes to engage with the supply shut-off valves. Tighten connections at faucet and shut-off valves for water tight seal.



Connect trap to drain assembly hand tight to check alignment. It may be necessary to cut off part of the tailpiece (area "B") or part of the horizontal leg of the trap (area "C"). Secure joints for watertight assembly.

## Need help?

For technical assistance or replacement parts, please contact Allora USA Customer Service and one of our representatives will be happy to assist you:

Call 571-291-3484 or email [Customerservice@alloraua.com](mailto:Customerservice@alloraua.com)



Scan the QR code to register your Allora USA product today!