



Installation Guide for Porcelain Topmount Sink

To ensure this product is installed properly, please read these instructions carefully before you begin. ALLORA USA recommends that all products should be installed by a professional experienced installer.

ALLORA USA is not responsible for any damages due to improper installed. Also be sure your installation conforms to local codes.

Before installing the sink, inspect it for damage. DO NOT install a damaged unit. Notify your ALLORA USA distributor of any damage. Replace sink its original packing.

RECOMMENDED TOOLS & MATERIALS



Safety Goggles



Putty Knife



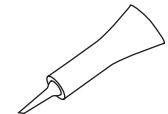
Adjustable Wrench



Plumbers' Putty



Channel Lock Pliers



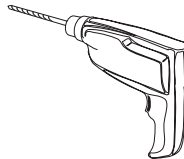
Silicone Adhesive



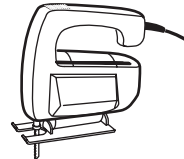
Tape Measure



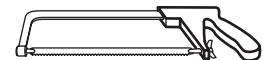
Pipe Wrench



Drill



Saber Saw



Hacksaw

NOTE: Specialized tools may be necessary to install Allora USA Porcelain Topmount sinks depending on drain and faucet specifications.

IMPORTANT

Register Your Allora USA Product

<http://www.alloraus.com/registration>

Activate Your Warranty

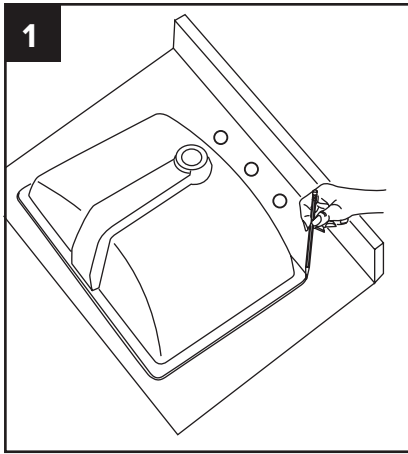
Access Premium Customer Support

Get Product Information

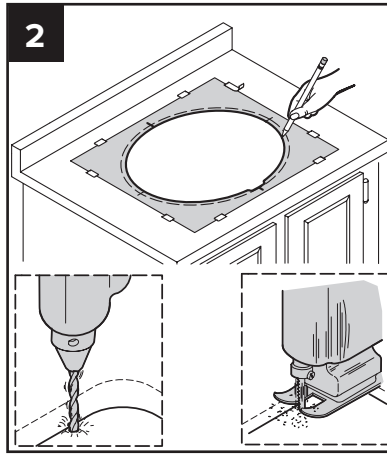


REGISTER TODAY

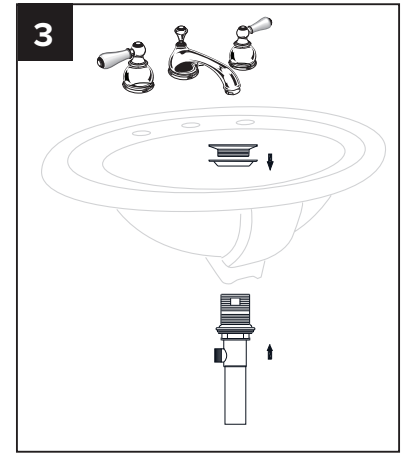
Installation Guide for Allora USA Porcelain Topmount Sink



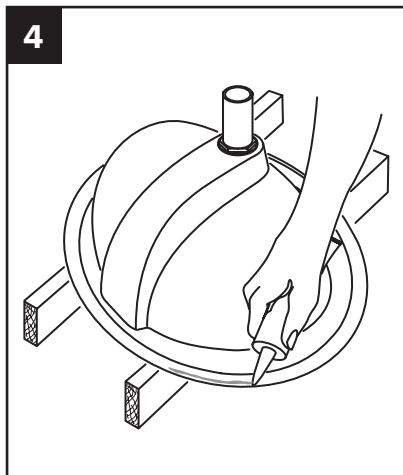
First, make sure the clearance between the backplash, faucet, fixtures and cabinets are acceptable for the new sink. NOTE: To avoid damage to countertop, install sink such that future removal from underneath the countertop is possible.



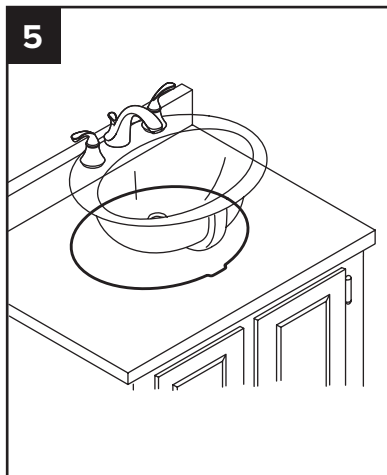
Carefully cut out the enclosed template, then position and trace the template on the countertop as shown on the template. Make a mark of the faucet hole centerline on the countertop. Drill a 1/2" pilot hole on the inside of the cut line. Use a saber saw or a keyhole saw to cut out the countertop opening.



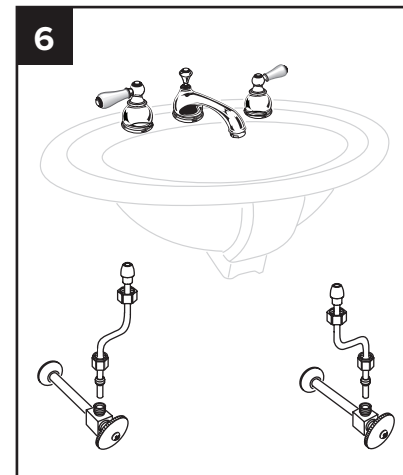
Mount the drain assembly and faucet (not included) on the sink, following faucet manufacturer's instructions. Be certain to apply a bead of sealing putty on the underside of the drain in order to ensure a watertight seal between the sink and drain. Remove excess putty after installing drain on sink.



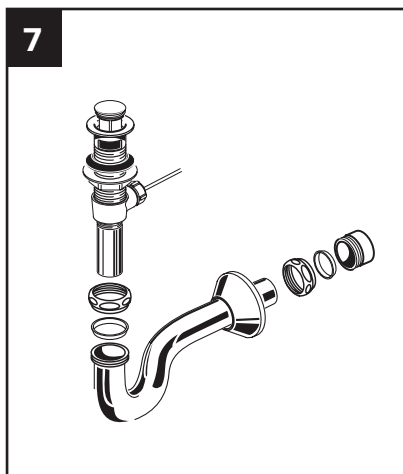
After checking fit and alignment of sink to cut out, apply a bead of silicone adhesive to rim of sink. NOTE: Do not use other construction adhesives or adhesive sealants.



Center bowl and install. Remove excess sealant from inside lip.



Connect supply line to faucet (finger tight) and carefully bend tubes to engage with the supply shut-off valves. Tighten connections at faucet and shut-off valves for water tight seal.



Connect trap to drain assembly hand tight to check alignment. It may be necessary to cut off part of the tailpiece or part of the horizontal leg of the trap. Secure joints for watertight assembly.

Need help?

For technical assistance or replacement parts, please contact Allora USA Customer Service and one of our representatives will be happy to assist you:

Call 571-291-3484 or email Customerservice@alloraua.com