

AUGUST 2024

VOTED THE BEST  
KITCHEN SINK BRAND  
OF 2024 BY

Forbes

Sink: KH-3018-10-S-R15-GM  
Faucet: A-805-BL

Sinks & Faucets Wholesaler

# PRODUCT CATALOG

571-291-3484 • SALES@ALLORAUSA.COM  
VISIT US ONLINE AT: [WWW.ALLORAUSA.COM](http://WWW.ALLORAUSA.COM)





Our mission is to enhance everyday living through exceptional design, craftsmanship, and innovation. We provide a diverse range of thoughtfully engineered kitchen and bathroom products that offer extensive choices in size, finish, functionality, and technology, ensuring the best overall value. By prioritizing features that simplify daily life, we have become leaders in the industry, catering to the unique needs of multifamily residences, senior living communities, student housing, and hospitality establishments nationwide.

“

Allora’s sinks and faucets are of excellent quality, and their team goes above and beyond to ensure customer satisfaction. Highly recommend for any business looking for reliable and stylish sink solutions.

- Dara B.  
Architect

## TABLE OF CONTENTS

### KITCHEN

#### SINKS

PAGE

##### ■ ADA KITCHEN SINKS

Zero and Tight Radius Series .....	2
Standard Radius Series .....	3
Top Mount Series .....	4

##### ■ STANDARD KITCHEN SINKS

7" Depth Series .....	4
9" Depth Series .....	5-6

##### ■ ZERO RADIUS KITCHEN SINKS

9" Depth Series .....	6-7
10" Depth Series .....	7

##### ■ TIGHT RADIUS KITCHEN SINKS

7" Depth Series .....	8
9" Depth Series .....	8-9
10" Depth Series .....	9-10

##### ■ FARMHOUSE KITCHEN SINKS

.....	10
-------	----

##### ■ BAR SINKS

Standard Radius Series .....	11
Zero & Tight Radius Series .....	11

##### ■ TOP MOUNT KITCHEN SINKS

.....	12
-------	----

##### ■ SPECIALTY KITCHEN SINKS

.....	12-14
-------	-------

##### ■ WORKSTATION KITCHEN SINKS

.....	15
-------	----

#### FAUCETS

##### ■ KITCHEN & BAR FAUCETS

.....	16
-------	----

#### ACCESSORIES

##### ■ KITCHEN ACCESSORIES

.....	17
-------	----

### BATHROOM

#### SINKS

##### ■ ADA BATHROOM SINKS

.....	19
-------	----

##### ■ STANDARD BATHROOM SINKS

.....	19-21
-------	-------

#### FAUCETS

##### ■ Bathroom Faucets

.....	22-23
-------	-------

#### SHOWERS

##### ■ BATH & SHOWER TRIM KITS

.....	25
-------	----

#### ACCESSORIES

##### ■ BATHROOM ACCESSORIES

.....	26-27
-------	-------

##### WHY CHOOSE ALLORA USA

.....	28
-------	----

##### COMMERCIAL SOLUTIONS

.....	29
-------	----

# KITCHEN

Sinks and Faucets



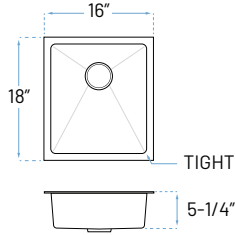
Sink: ADA-KH-2718-S-R20  
Faucet: A-726-BN

## KEY

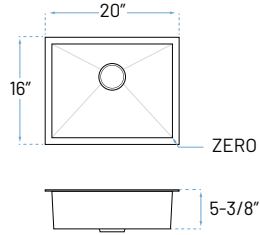
<b>FC</b> .....	Fireclay	<b>LS</b> .....	Laundry
<b>GC</b> .....	Granite Composite	<b>TOP</b> .....	Top Mount
<b>KH</b> .....	Handmade	<b>DM</b> .....	Dual Mount
<b>KHWS</b> ....	Workstation	<b>GM</b> .....	Gun Metal
<b>KSN</b> .....	Machine Pressed	<b>R</b> .....	Rectangular
<b>LD</b> .....	Low Divide	<b>O</b> .....	Oval

Zero and Tight Radius Series

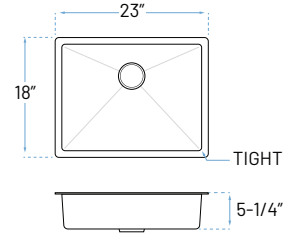
ADA-KH-1618-S-R20



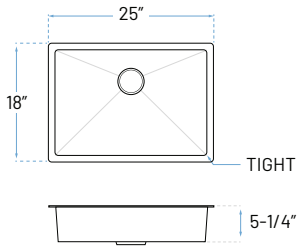
ADA-KH-2016-S-R0



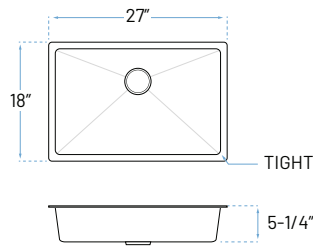
ADA-KH-2318-S-R20



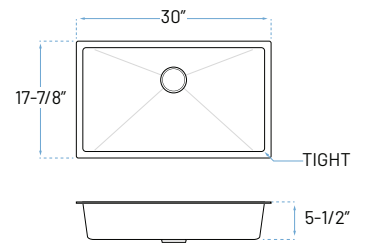
ADA-KH-2518-S-R20



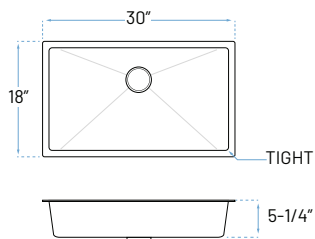
ADA-KH-2718-S-R20



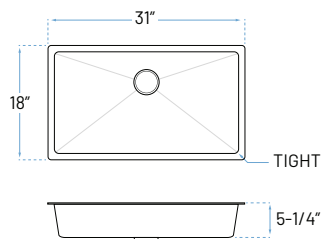
ADA-KH-3018-S-R15



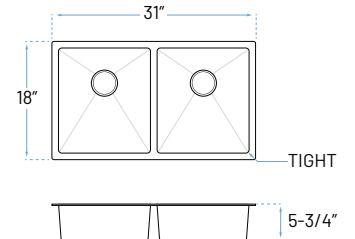
ADA-KH-3018-S-R20



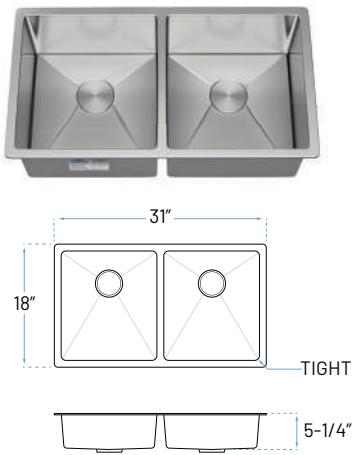
ADA-KH-3118-S-R20



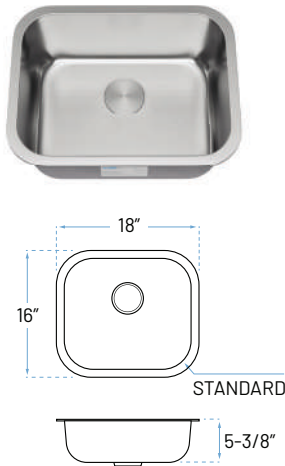
ADA-KH-3118-D-R15



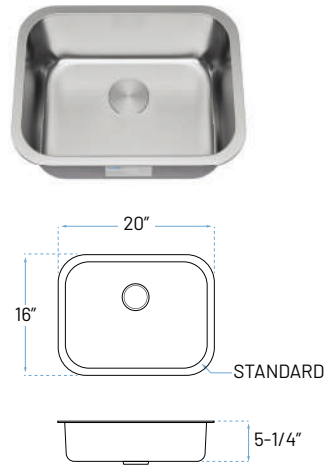
ADA-KH-3118-D-R20



ADA-KSN-1816-S



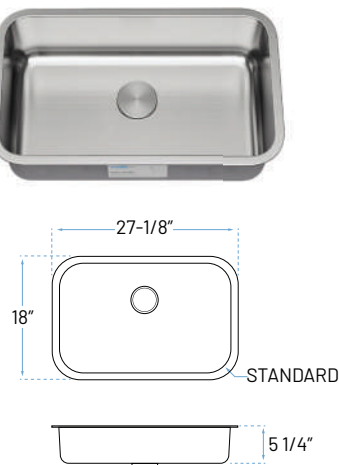
ADA-KSN-2016-S



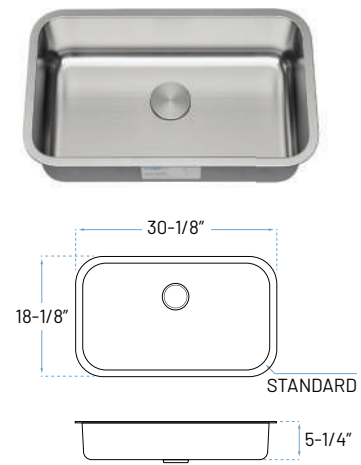
ADA-KSN-2318-S



ADA-KSN-2718-S



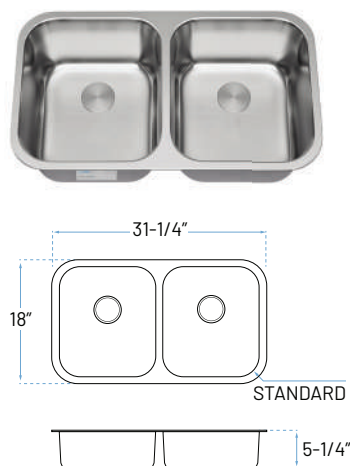
ADA-KSN-3018-S



ADA-KSN-3218-S



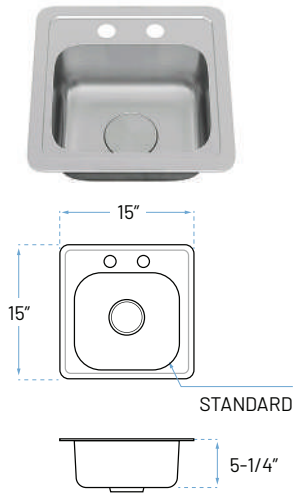
ADA-KSN-3118-D



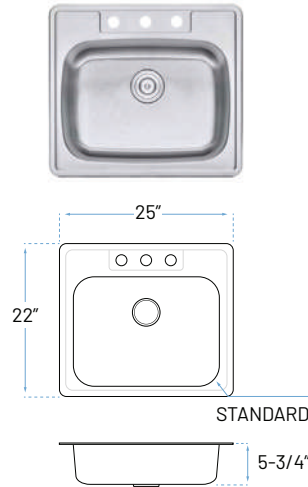
**Standard radius** sinks combine ease of cleaning with a classic look.

Top Mount Series

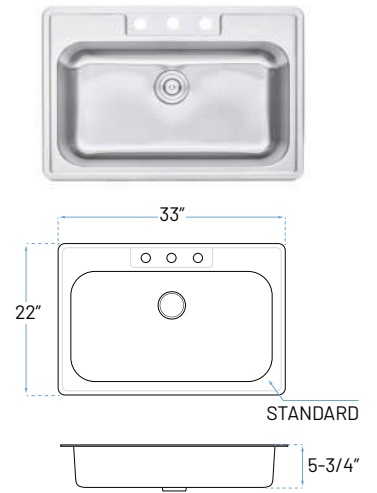
ADA-TOP-1515-S



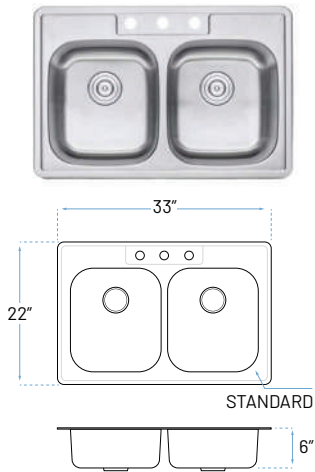
ADA-TOP-2522-S



ADA-TOP-3322-S

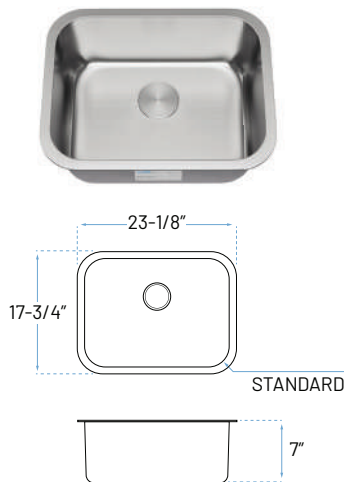


ADA-TOP-3322-D

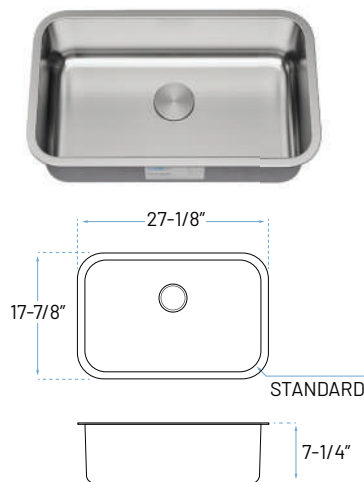


7" Depth Series

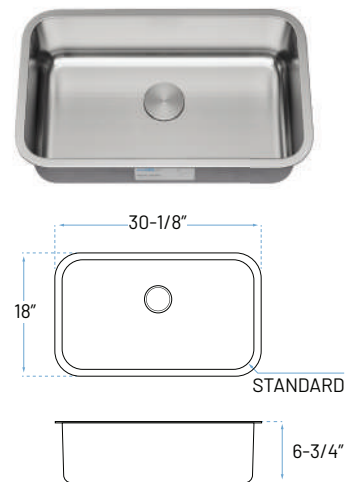
KSN-2318-7-S



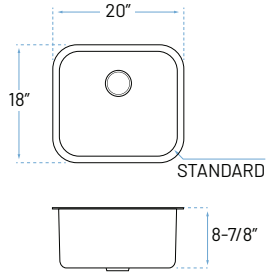
KSN-2718-7-S



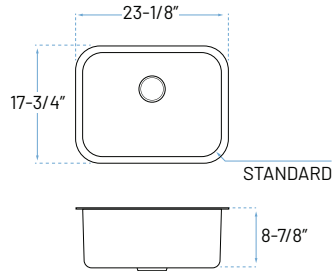
KSN-3018-7-S



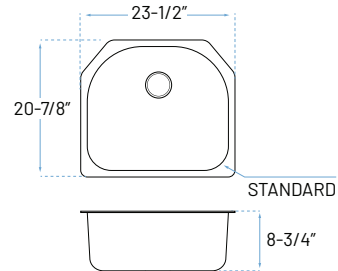
**KSN-2018-9-S**



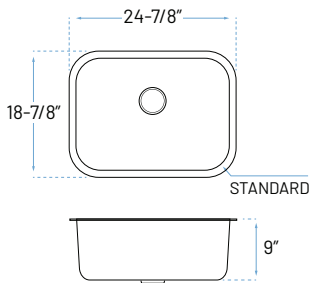
**KSN-2318-9-S**



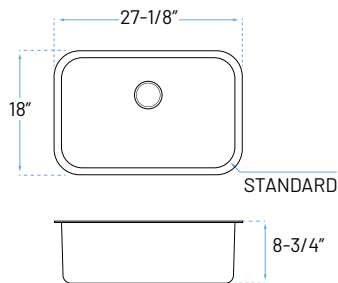
**KSN-2321-9-S**



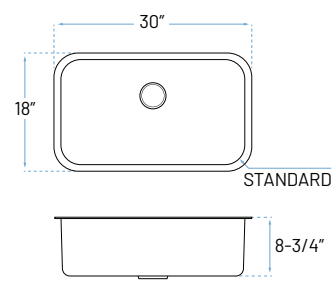
**KSN-2519-9-S**



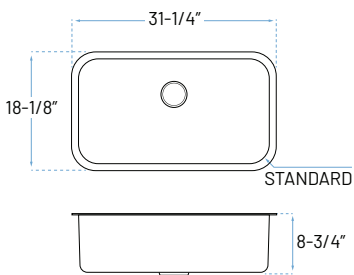
**KSN-2718-9-S**



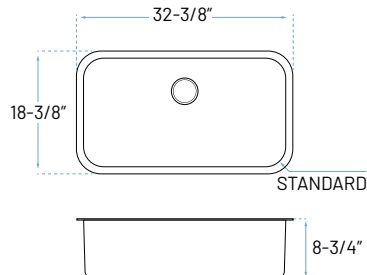
**KSN-3018-9-S**



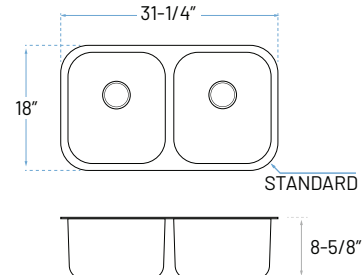
**KSN-3118-9-S**



**KSN-3218-9-S**

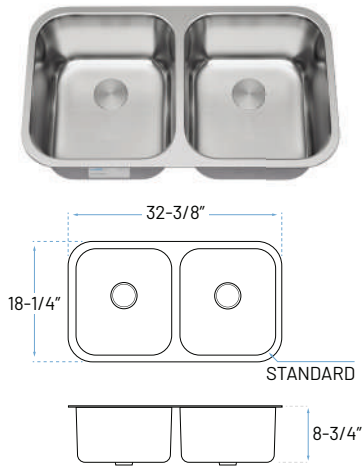


**KSN-3118-9-D**



9" Depth Series

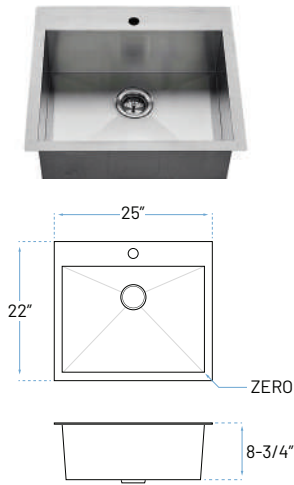
KSN-3218-9-D



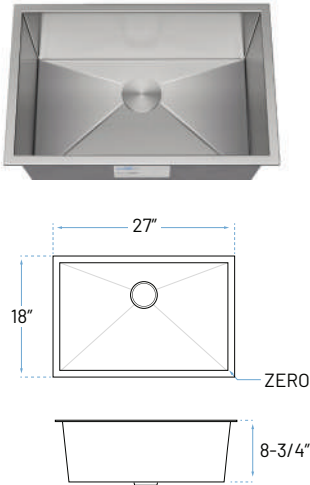
Sink: KSN-2318-9-S  
Faucet: A-710-C

9" Depth Series

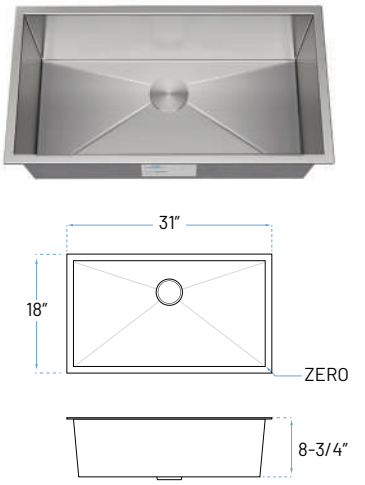
KH-2522-9-S-R0-DM



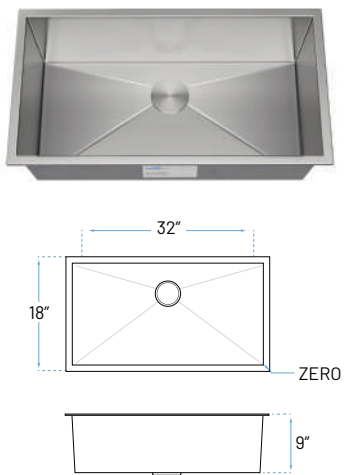
KH-2718-9-S-R0



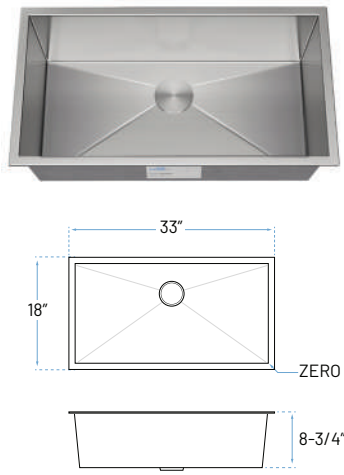
KH-3118-9-S-R0



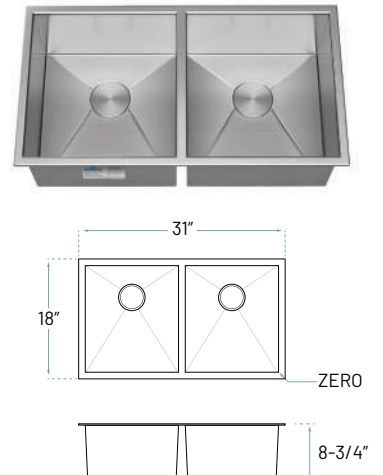
KH-3218-9-S-R0



KH-3318-9-S-R0



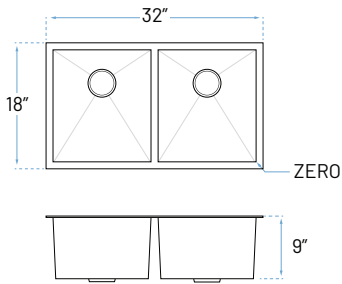
KH-3118-9-D-R0



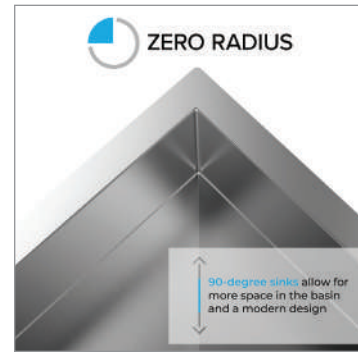
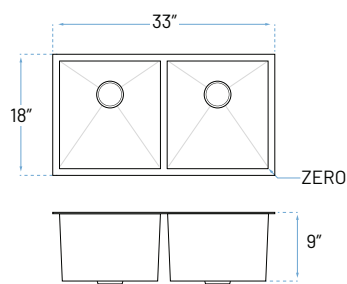


9" Depth Series

KH-3218-9-D-R0



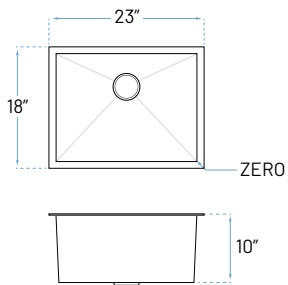
KH-3318-9-D-R0



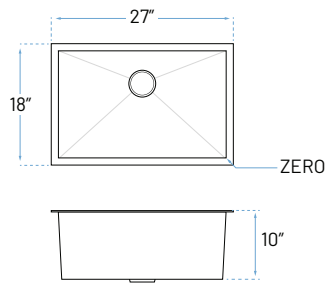
**Zero radius** sinks offer more basin space and a modern design.

10" Depth Series

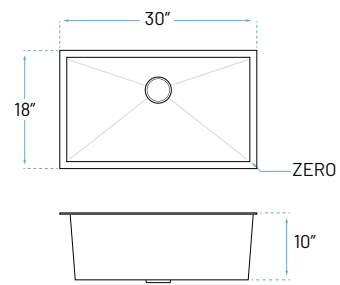
KH-2318-10-S-R0



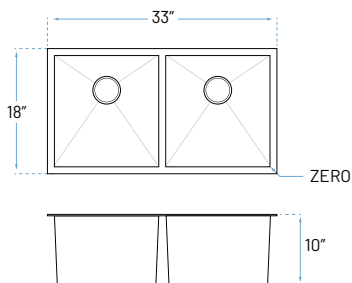
KH-2718-10-S-R0



KH-3018-10-S-R0



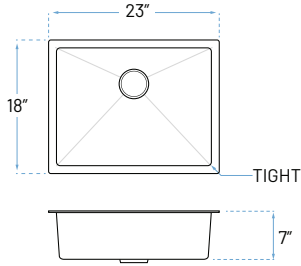
KH-3318-10-D-R0



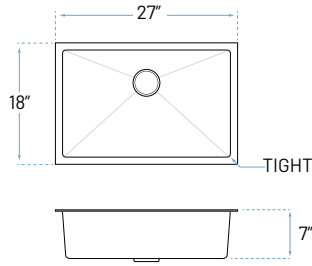
Sink: KH-3018-10-S-R0  
Faucet: A-700-BN

7" Depth Series

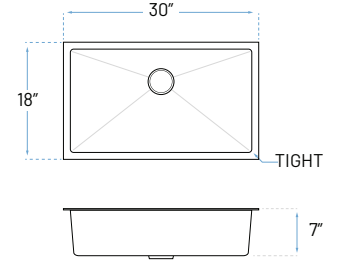
**KH-2318-7-S-R15**



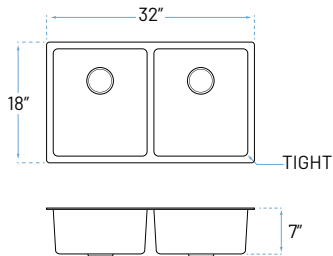
**KH-2718-7-S-R15**



**KH-3018-7-S-R15**



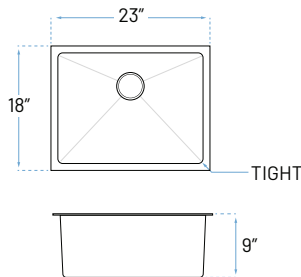
**KH-3218-7-D-R15**



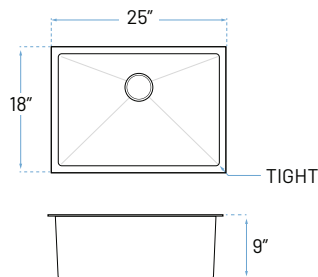
Sink: KH-3118-9-D-R20  
Faucet: A-700-BN

9" Depth Series

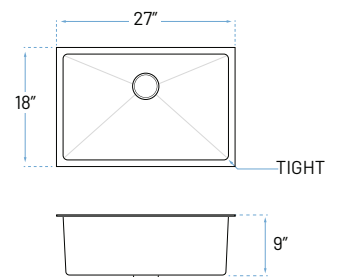
**KH-2318-9-S-R20**



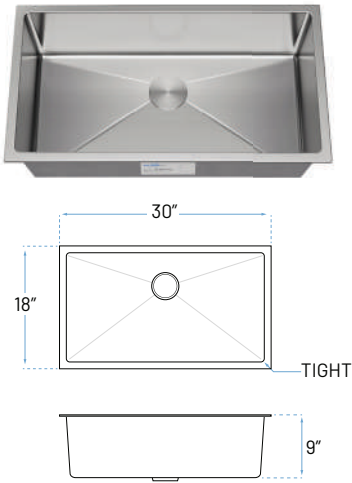
**KH-2518-9-S-R20**



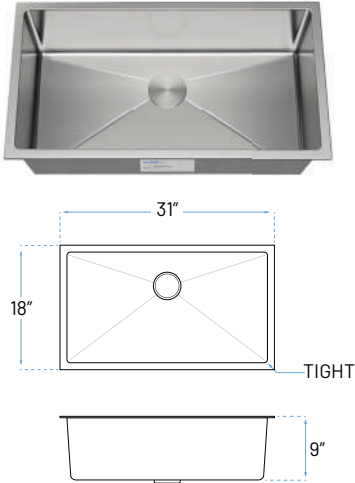
**KH-2718-9-S-R20**



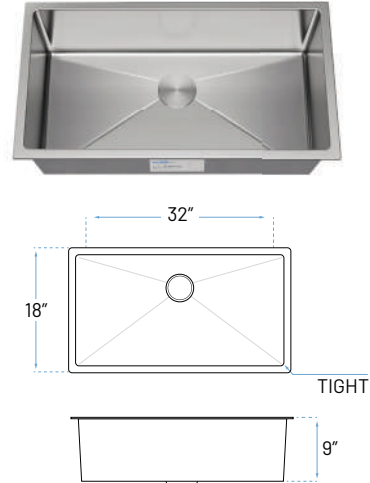
**KH-3018-9-S-R20**



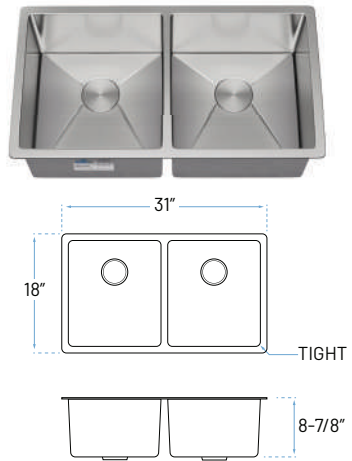
**KH-3118-9-S-R20**



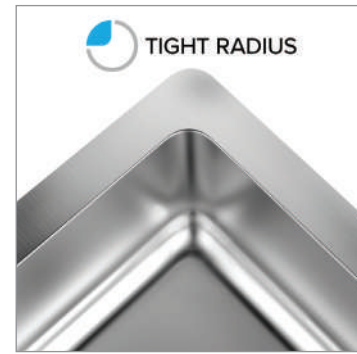
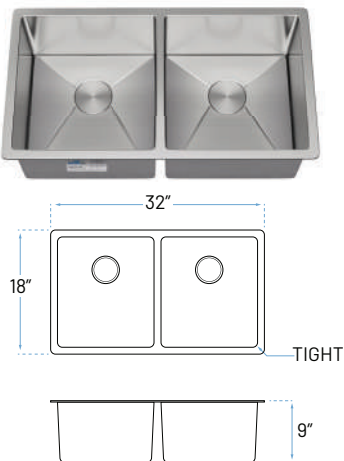
**KH-3218-9-S-R20**



**KH-3118-9-D-R20**

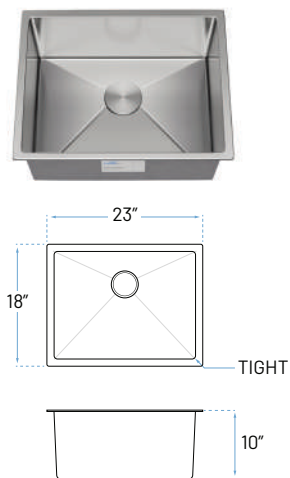


**KH-3218-9-D-R20**

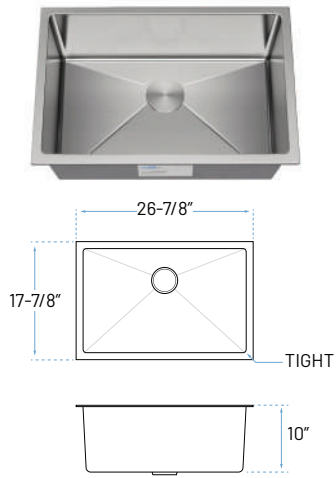


**Tight radius** sinks are easy to clean and sleek in design.

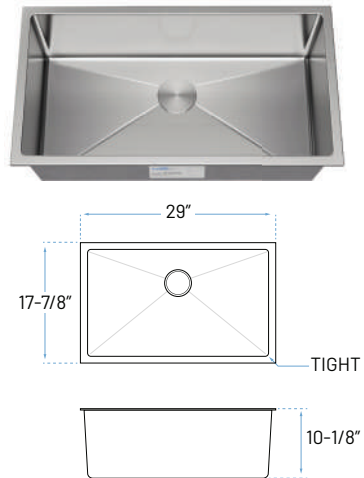
**KH-2318-10-S-R15**



**KH-2718-10-S-R15**

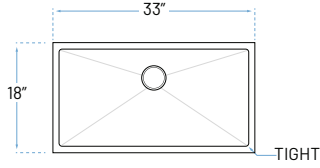


**KH-2918-10-S-R15**

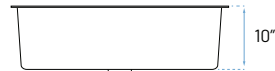
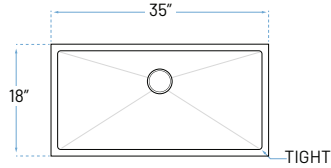


10" Depth Series

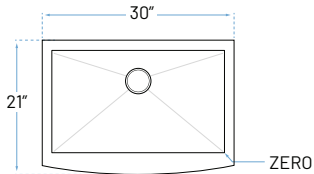
**KH-3318-10-S-R15**



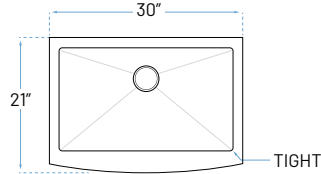
**KH-3518-10-S-R15**



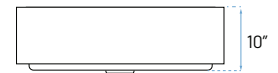
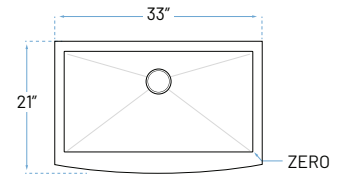
**KH-3021-10-S-R0-F**



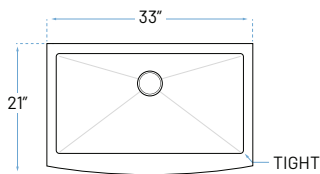
**KH-3021-10-S-R15-F**



**KH-3321-10-S-R0-F**



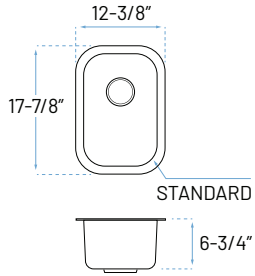
**KH-3321-10-S-R15-F**



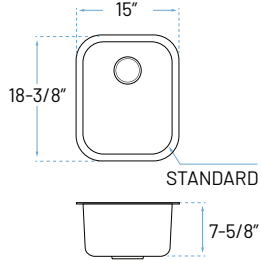
Sink: KH-3021-10-S-R15-F

Standard Radius Series

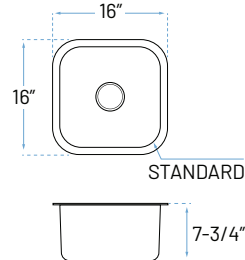
KSN-1218-8-S



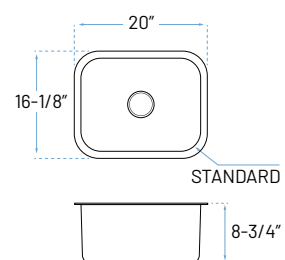
KSN-1518-8-S



KSN-1616-8-S

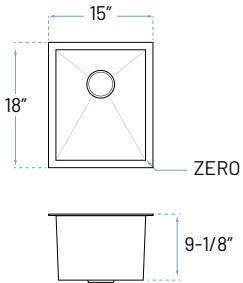


KSN-2016-9-S

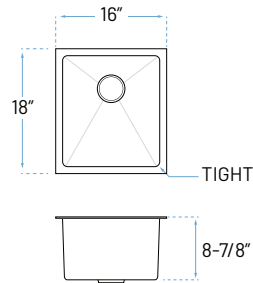


Zero and Tight Radius Series

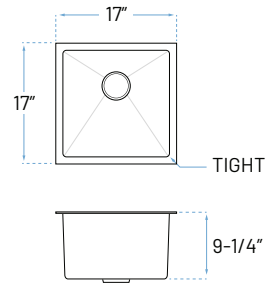
KH-1518-9-S-RO



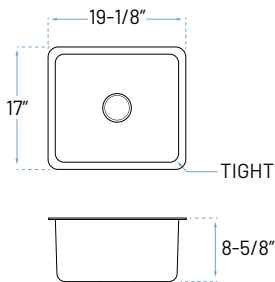
KH-1618-9-S-R20



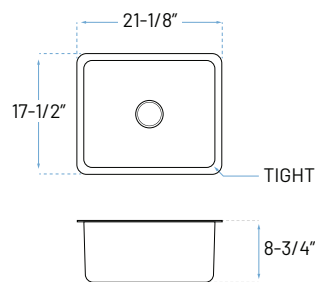
KH-1717-10-S-R15



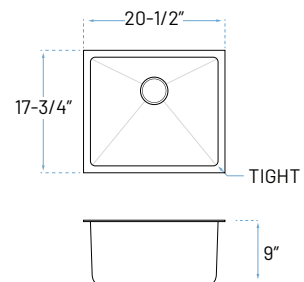
KSN-1917-9-S-R25



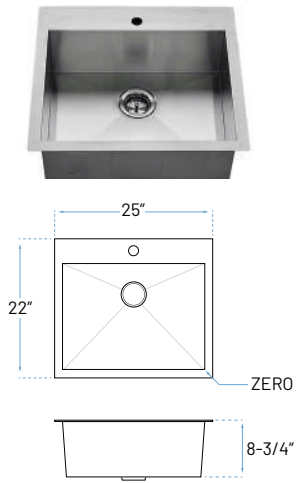
KSN-2117-9-S-R25



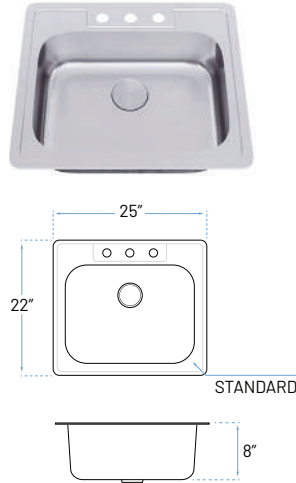
KH-2118-9-S-R20



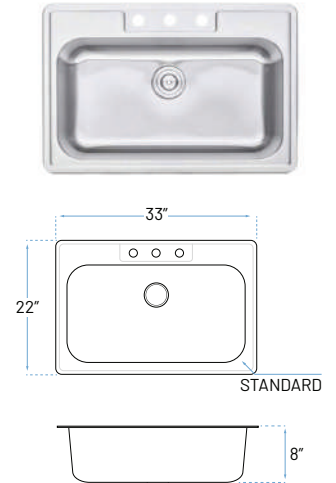
**KH-2522-9-S-R0-DM**



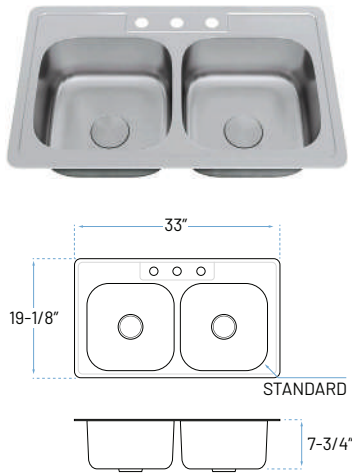
**TOP-2522-8-S**



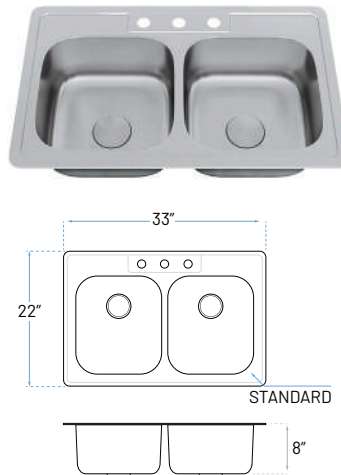
**TOP-3322-8-S**



**TOP-3319-8-D**



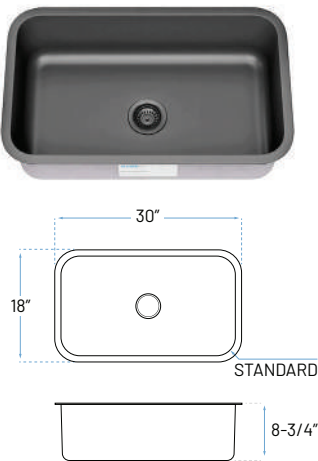
**TOP-3322-8-D**



**TOP-3322-9-D**



**KSN-3018-9-S-GM**



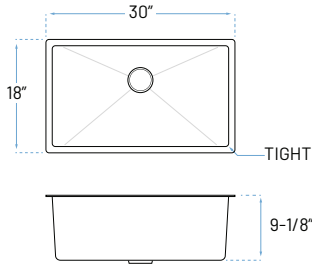
**KH-2718-10-S-R15-GM**



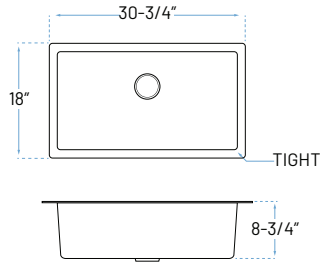
**KH-3018-10-S-R15-GM**



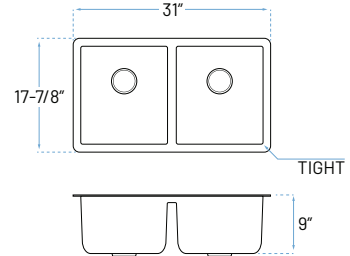
**KH-3018-9-S-R15-GL**



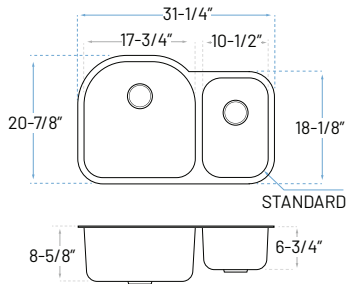
**GC-3118-10-S**  
(Granite Composite)



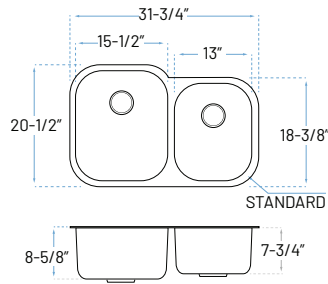
**GC-3118-10-D**  
(Granite Composite)



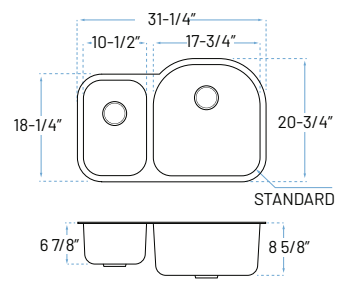
**KSN-2131-9-D**



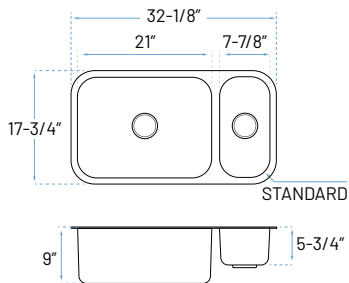
**KSN-2132-9-D**



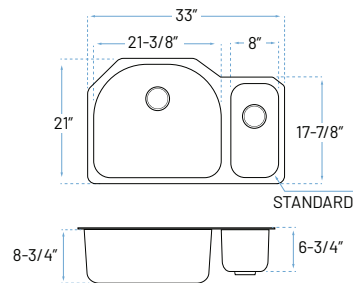
**KSN-3121R-9-D**



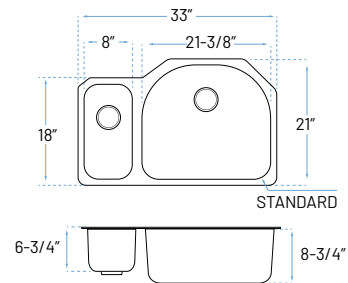
**KSN-3218-D**



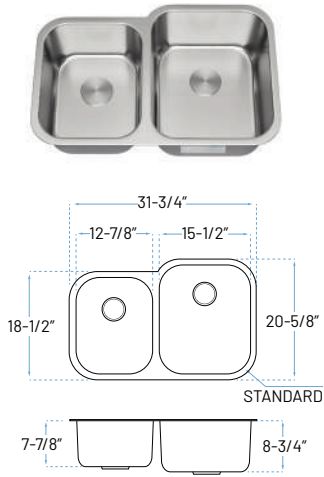
**KSN-3321**



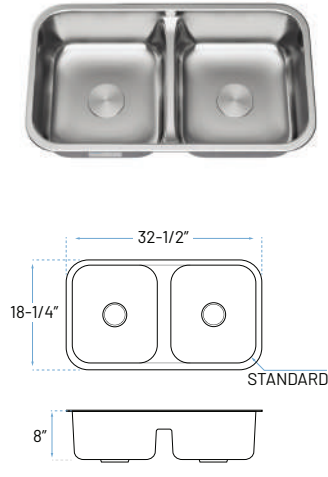
**KSN-3321R**



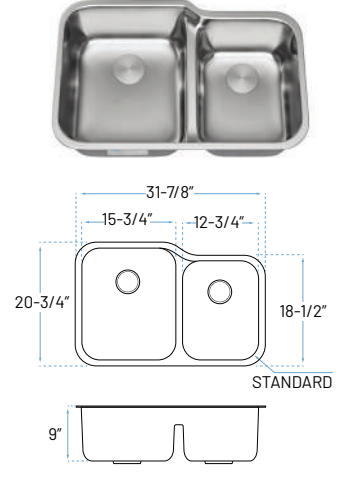
**KSN-3221R-9-D**



**LD-3218**

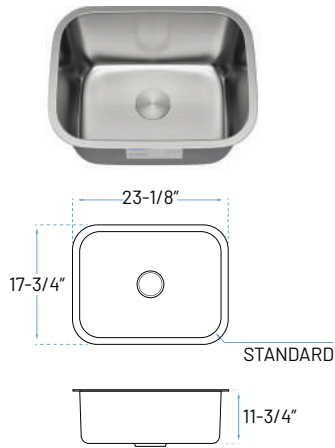


**LD-3221**

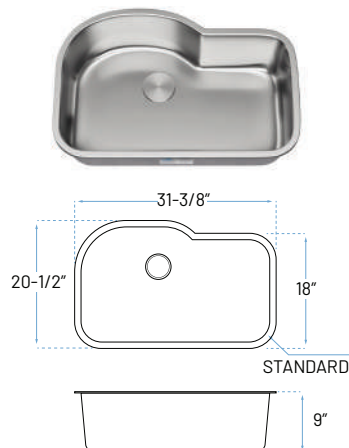


**LS-2318-12-S**

(Laundry Sink)



**ND-3222**



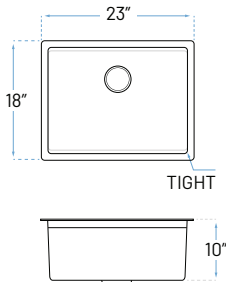
Sink: KSN-3018-9-S-GM



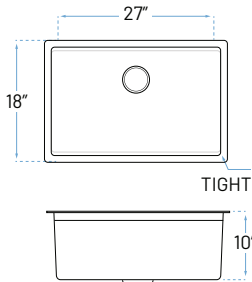
# ALLORA USA WORKSTATION KITCHEN SINKS ULTIMATE EFFICIENCY & STYLE

Enhance kitchen efficiency with Allora USA workstation sinks. Integrated tracks allow easy attachment of accessories. These sinks fit any decor and come with a grid, colander, basket strainer, cutting board, and drying mat.

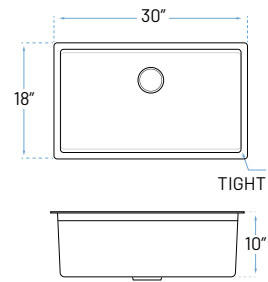
**KHWS-2318-10-S-R15**



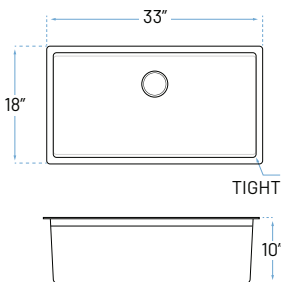
**KHWS-2718-10-S-R15**



**KHWS-3018-10-S-R15**

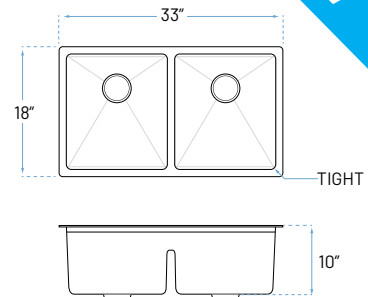


**KHWS-3318-10-S-R15**



**KHWS-3318-10-D-R15**

**NEW**



**Workstation 33" Undermount Double Bowl  
Kitchen Sink with Accessories**

**A-200**



COLOR/  
FINISH:

STAINLESS  
STEEL

Overall Height : 16-3/8"  
Spout Height : 8-1/2"  
Spout Reach : 9"

**A-700**



COLOR/  
FINISH:

BRUSHED  
NICKEL

CHROME

Overall Height : 8"  
Spout Height : 4-1/2"  
Spout Reach : 8-7/8"

**A-710**



COLOR/  
FINISH:

BRUSHED  
NICKEL

CHROME

Overall Height : 15-1/2"  
Spout Height : 6-7/8"  
Spout Reach : 8-1/2"

**A-726**



COLOR/  
FINISH:

BRUSHED  
NICKEL

CHROME

Overall Height : 15-5/8"  
Spout Height : 6-3/4"  
Spout Reach : 8"

**A-805**



COLOR/  
FINISH:

BRUSHED  
NICKEL

CHROME

BLACK

Overall Height : 15-1/2"  
Spout Height : 6-7/8"  
Spout Reach : 8-5/8"

**A-807**



COLOR/  
FINISH:

BRUSHED  
NICKEL

CHROME

BLACK

Overall Height : 20-1/4"  
Spout Height : 5-1/2"  
Spout Reach : 9-3/8"

**A-810**



COLOR/  
FINISH:

BRUSHED  
NICKEL

CHROME

BLACK

GOLD

Overall Height : 16-1/8"  
Spout Height : 7-1/4"  
Spout Reach : 8-5/8"

**B-101**



COLOR/  
FINISH:

CHROME

Available without  
side sprayer: **B-100**

Overall Height : 6-1/4"  
Spout Height : 5-1/4"  
Spout Reach : 8"

**BAR-7260**



COLOR/  
FINISH:

BRUSHED  
NICKEL

CHROME

Overall Height : 12"  
Spout Height : 7-5/8"  
Spout Reach : 6-3/4"



Faucet: A-805-BL  
Sink: KH-2718-10-S-R15-GM

# A PERFECT BLEND OF INNOVATION & ELEGANCE

Combining cutting-edge technology with timeless style, our faucets enhance your kitchen with reliable performance and inspiring design.

EXPLORE OUR KITCHEN FAUCETS AT:  
[WWW.ALLORAUSA.COM/KITCHEN-FAUCETS](http://WWW.ALLORAUSA.COM/KITCHEN-FAUCETS)

CUTTING BOARD



DC-450



SR-220



SR-330-GL



SR-330-BL



EXPLORE OUR KITCHEN ACCESSORIES AT:  
[WWW.ALLORAUSA.COM/KITCHEN-ACCESSORIES](http://WWW.ALLORAUSA.COM/KITCHEN-ACCESSORIES)

# BATHROOM

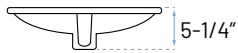
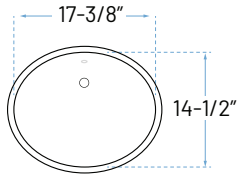
Sinks, Faucets, and Showers



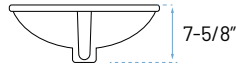
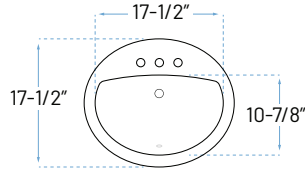
Sink: VCS-1316-O  
Faucet: A-7004-BN



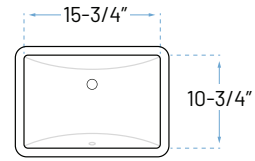
ADA-VCS-1417-O



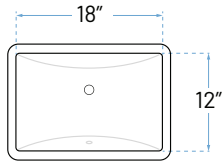
ADA-VCS-2017-O-T



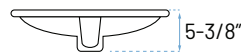
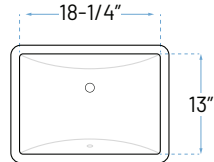
ADA-VCS-1116-R



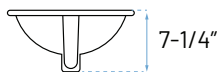
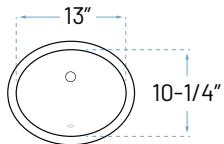
ADA-VCS-1218-R



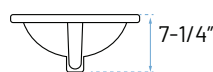
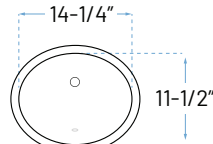
ADA-VCS-1318-R



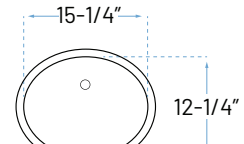
VCS-1013-O



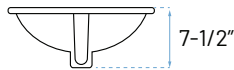
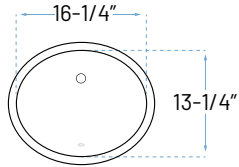
VCS-1114-O



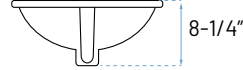
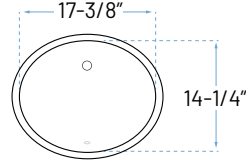
VCS-1215-O



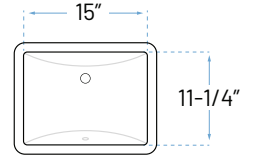
VCS-1316-O



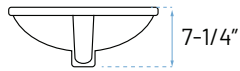
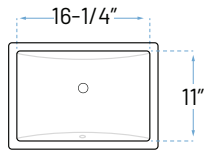
VCS-1417-O



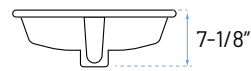
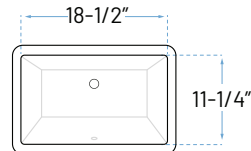
VCS-1115-R



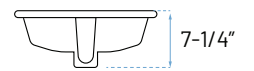
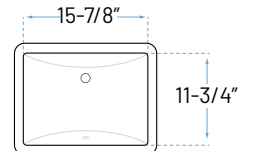
VCS-1116-R



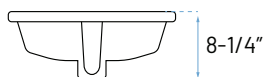
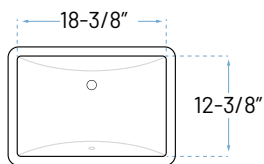
VCS-1118-R



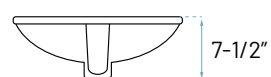
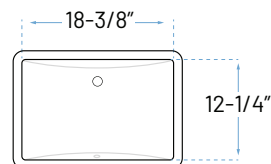
VCS-1216-R



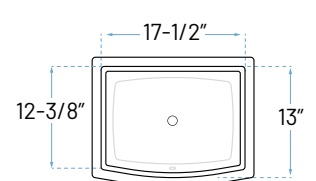
VCS-1218-R



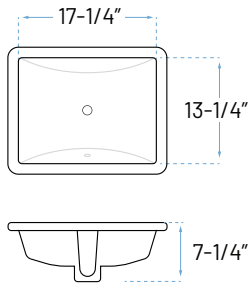
VCS-1218-N-R



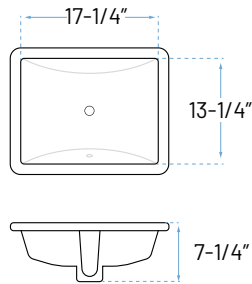
VCS-1218-A-R



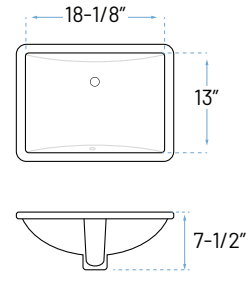
VCS-1317-BL



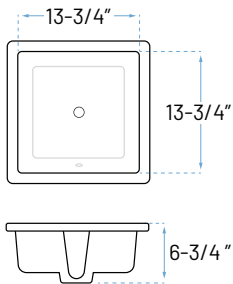
VCS-1317-R



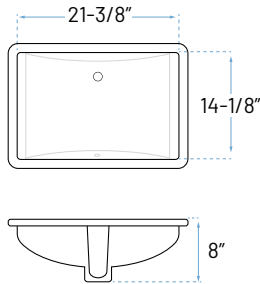
VCS-1318-R



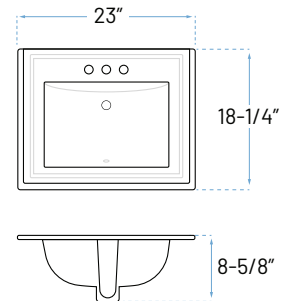
VCS-1414-R



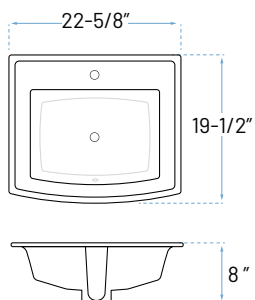
VCS-1421-R



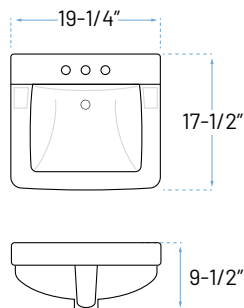
VCS-2318-R-T



VCS-2319-A-R-T



WMC-1918-R



**A-6550**



COLOR/  
FINISH:

BRUSHED  
NICKEL

CHROME

Overall Height : 8-1/4"  
Spout Height : 4"  
Spout Reach : 5-3/8"

**A-6560**



COLOR/  
FINISH:

BRUSHED  
NICKEL

CHROME

Overall Height : 6-1/4"  
Spout Height : 4-1/2"  
Spout Reach : 4-7/8"

**A-6570**



COLOR/  
FINISH:

BRUSHED  
NICKEL

CHROME

Overall Height : 6-3/8"  
Spout Height : 4-5/8"  
Spout Reach : 5"

**A-7001**



COLOR/  
FINISH:

BRUSHED  
NICKEL

CHROME

BLACK

Overall Height : 5-1/2"  
Spout Height : 3-1/4"  
Spout Reach : 4-1/4"

**A-7002**



COLOR/  
FINISH:

BRUSHED  
NICKEL

CHROME

BLACK

Overall Height : 6-1/2"  
Spout Height : 3"  
Spout Reach : 4"

**A-7004**



COLOR/  
FINISH:

BRUSHED  
NICKEL

CHROME

BLACK

Overall Height : 6-3/8"  
Spout Height : 4-1/8"  
Spout Reach : 4-3/8"

**A-7005**



COLOR/  
FINISH:

BRUSHED  
NICKEL

CHROME

BLACK

Overall Height : 7-3/4"  
Spout Height : 5"  
Spout Reach : 4"

**A-7006**



COLOR/  
FINISH:

BRUSHED  
NICKEL

CHROME

BLACK

Overall Height : 6-1/2"  
Spout Height : 2-1/2"  
Spout Reach : 5-7/8"

**A-7014**



COLOR/  
FINISH:

BRUSHED  
NICKEL

CHROME

BLACK

Overall Height : 4-5/8"  
Spout Height : 3-5/8"  
Spout Reach : 4-3/8"



**B-4000**



COLOR/  
FINISH:

BRUSHED  
NICKEL

CHROME

Overall Height : 5"  
Spout Height : 1-5/8"  
Spout Reach : 3-3/4"

**B-4001**



COLOR/  
FINISH:

BRUSHED  
NICKEL

CHROME

Overall Height : 3-3/8"  
Spout Height : 1-7/8"  
Spout Reach : 4"

**B-4004**



COLOR/  
FINISH:

BRUSHED  
NICKEL

CHROME

Overall Height : 6-1/4"  
Spout Height : 4-1/4"  
Spout Reach : 4-3/4"



Faucet: A-7005-BL

## Transform Your Daily Rituals with ALLORA USA'S ELEGANT BATHROOM FAUCETS

**DURABLE FINISH**

Resistant to corrosion and tarnishing over time.

**HIGH-QUALITY CERAMIC CARTRIDGE**

Ensures long-lasting, leak-free performance.

**SOFT-TOUCH AERATOR**

Prevents lime scale build-up and delivers a gentle, splash-free stream.

**READY FOR INSTALLATION**

Includes pre-attached water lines and mounting hardware for easy setup.



# ELEVATE YOUR SHOWER EXPERIENCE

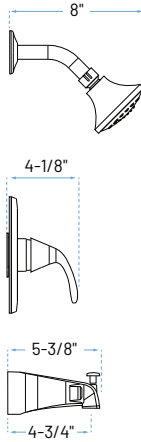
with an Allora USA Shower Trim Kit

A high-quality shower trim can elevate your shower from a routine task to a luxurious, spa-like escape.

**WITH TUB SPOUT  
ST-7001**



**WITHOUT TUB SPOUT  
ST-7011**



COLOR/  
FINISH:

BRUSHED  
NICKEL

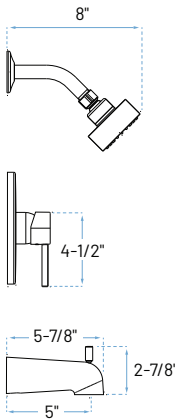
CHROME

BLACK

**WITH TUB SPOUT  
ST-7002**



**WITHOUT TUB SPOUT  
ST-7012**



COLOR/  
FINISH:

BRUSHED  
NICKEL

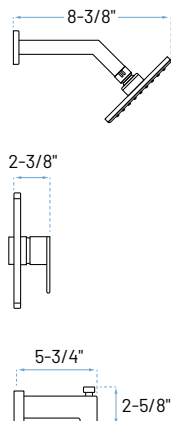
CHROME

BLACK

**WITH TUB SPOUT  
ST-7004**



**WITHOUT TUB SPOUT  
ST-7014**



COLOR/  
FINISH:

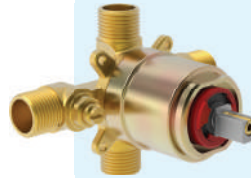
BRUSHED  
NICKEL

CHROME

BLACK

**AL7-01 Rough-In Valve**

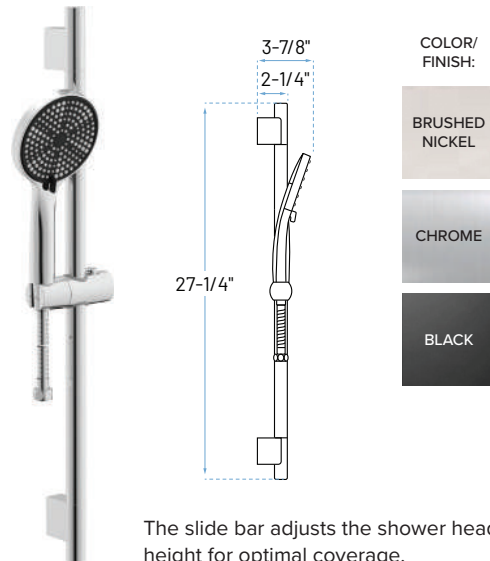
*(Sold Separately)*



This shower valve features a pressure-balanced cartridge and is designed for use with a tub/shower diverter, enabling easy switching between the shower and an accessory or using both simultaneously.

**Ensure your shower is  
ADA-compliant with the Allora USA  
ADA Hand Shower Trim.**

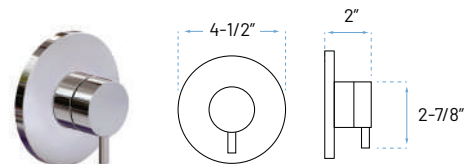
**ADA-ST-72**



The slide bar adjusts the shower head height for optimal coverage.

**ST-DIV-74**

Diverter Trim Included with ADA-ST-72

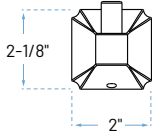


**AL7-04 2-Outlet  
Diverter Valve**  
*(Sold separately)*



**RH-71**

Robe Hook



COLOR/  
FINISH:

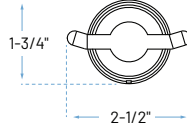
BRUSHED  
NICKEL

CHROME

BLACK

**RH-72**

Robe Hook



COLOR/  
FINISH:

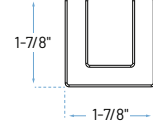
BRUSHED  
NICKEL

CHROME

BLACK

**RH-74**

Robe Hook



COLOR/  
FINISH:

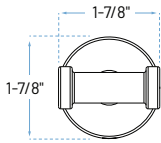
BRUSHED  
NICKEL

CHROME

BLACK

**RH-75**

Robe Hook



COLOR/  
FINISH:

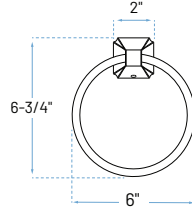
BRUSHED  
NICKEL

CHROME

BLACK

**TR-71**

Towel Ring



COLOR/  
FINISH:

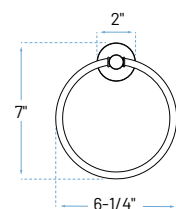
BRUSHED  
NICKEL

CHROME

BLACK

**TR-72**

Towel Ring



COLOR/  
FINISH:

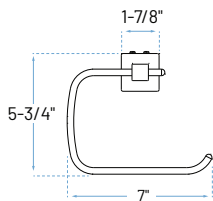
BRUSHED  
NICKEL

CHROME

BLACK

**TR-74**

Towel Ring



COLOR/  
FINISH:

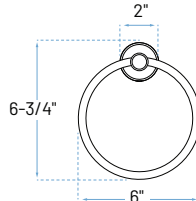
BRUSHED  
NICKEL

CHROME

BLACK

**TR-75**

Towel Ring



COLOR/  
FINISH:

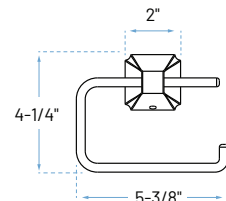
BRUSHED  
NICKEL

CHROME

BLACK

**TPH-71**

Towel Ring



COLOR/  
FINISH:

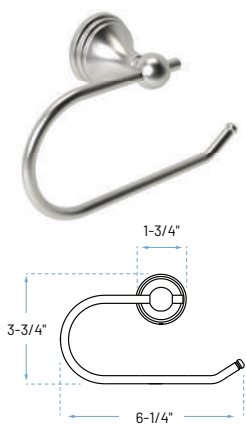
BRUSHED  
NICKEL

CHROME

BLACK

**TPH-72**

Toilet Paper Holder



COLOR/  
FINISH:

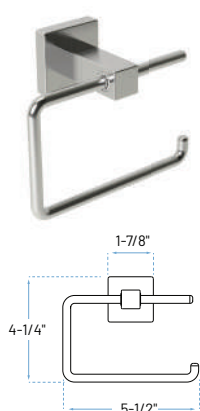
BRUSHED  
NICKEL

CHROME

BLACK

**TPH-74**

Toilet Paper Holder



COLOR/  
FINISH:

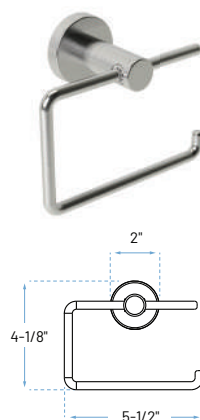
BRUSHED  
NICKEL

CHROME

BLACK

**TPH-75**

Toilet Paper Holder



COLOR/  
FINISH:

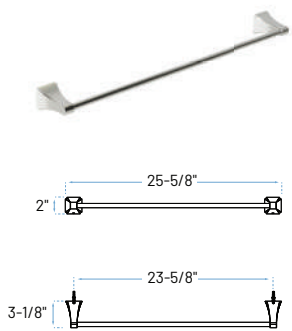
BRUSHED  
NICKEL

CHROME

BLACK

**TB-2471**

Towel Bar



COLOR/  
FINISH:

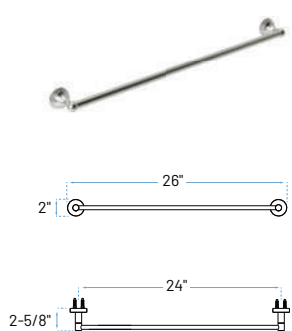
BRUSHED  
NICKEL

CHROME

BLACK

**TB-2472**

Towel Bar



COLOR/  
FINISH:

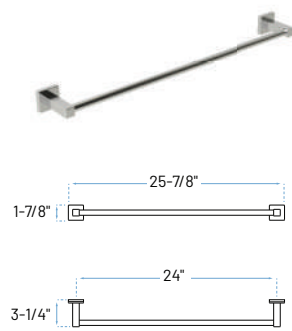
BRUSHED  
NICKEL

CHROME

BLACK

**TB-2474**

Towel Bar



COLOR/  
FINISH:

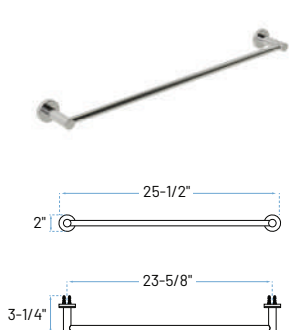
BRUSHED  
NICKEL

CHROME

BLACK

**TB-2475**

Towel Bar



COLOR/  
FINISH:

BRUSHED  
NICKEL

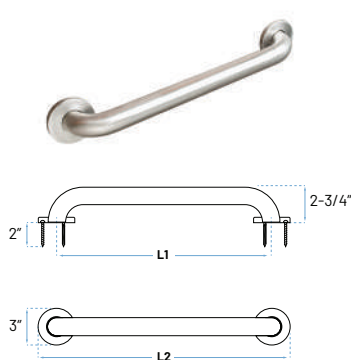
CHROME

BLACK

**GB-100**

Grab Bar

Add safety and support to bathroom stalls and shower walls.



COLOR/  
FINISH:

BRUSHED  
NICKEL

CHROME

BLACK

MODEL  
NUMBER

L1

L2

**GB-100-18**

18"

21"

**GB-100-24**

24"

27"

**GB-100-30**

30"

33"

**GB-100-36**

36"

39"

**GB-100-42**

42"

45"

**GB-100-48**

48"

51"

# WHY CHOOSE ALLORA USA

## RESPONSIVE

- Dedicated expert support
- Dependable and fast delivery - same day shipping
- Technical expertise

## AGILE

- Quick to adapt and adjust for evolving challenges
- Customize and deliver on your unique, dynamic needs
- Extensive inventory

## PARTNERS

- Tailored solutions and designs to suit specific requirements and tastes of your business
- Value Engineering
- Competitive pricing

## CERTIFICATIONS AND STANDARDS



### cUPC Certified

IAPMO certified to meet ASME, NSF standards, and UPC on select models.



### WaterSense

Applicable faucets meet EPA's criteria for water efficiency and performance.



### ADA Compliant

Wide array of ADA-compliant products meeting ANSI A117.1 requirements.

## TRUSTED BY



## FEATURES, ADVANTAGES, AND BENEFITS

### Easy Installation

Innovative solutions designed to expedite and streamline installation processes, saving both time and costs on the job site.

### Virtually Maintenance-Free

Built for lasting durability, our products ensure peace of mind for years to come.

### Industry-Best 10-Year Warranty

Dedicated to ensuring your satisfaction with our high-quality, durable plumbing products and expertise.

# COMMERCIAL SOLUTIONS

## MULTIFAMILY

Allora USA offers robust solutions for developers and contractors with durable strength, reliable performance, and impeccable design. Our products suit single and multiple projects, blending quality and style with easy installation and maintenance. Supported by a top-tier warranty, our customer-focused approach guarantees satisfaction.

## SENIOR LIVING

Enhance senior living with Allora USA kitchen and bath products. Our stylish, durable, and accessible designs prioritize comfort, safety, and independence. From faucets to fixtures, our user-friendly products cater to seniors' unique needs. Transform senior living with Allora USA's quality and reliability.

## STUDENT HOUSING

Enhance college living with Allora USA's stylish and functional kitchen and bath products. Designed for dorms and residences, our durable, user-friendly designs prioritize comfort and safety. From modern faucets to sleek fixtures, our products cater to students' unique needs, offering quality and reliability to elevate your college experience.

## HOSPITALITY

We prioritize your commitment to excellence in guest experience. Choose Allora USA bath products to provide your guests with luxury and durability, creating a true sense of home. Our brand standards ensure alignment with each property's distinct décor and personality.

## 10-YEAR INDUSTRY-LEADING COMMERCIAL WARRANTY

At Allora USA, we prioritize customer satisfaction through robust warranties, showcasing our confidence in both our durable plumbing products and our expert team.

**LEARN MORE AT:  
[WWW.ALLORAUSA.COM/COMMERCIAL](http://WWW.ALLORAUSA.COM/COMMERCIAL)**





Sink: VCS-1318-R  
Faucet: A-6570-BN

Sinks & Faucets Wholesaler

# PRODUCT CATALOG

**PH: 571-291-3484**

**Sales:** [sales@allorausea.com](mailto:sales@allorausea.com)

**Customer Service/Technical Support:**  
[customerservice@allorausea.com](mailto:customerservice@allorausea.com)

22713 Commerce Center Ct, Suite 140  
Dulles, VA 20166

[www.allorausea.com](http://www.allorausea.com)

**ALLORAUSA**  
ELEVATE EVERYDAY LIVING