

FEBRUARY 2024



Sink: KH-3018-10-S-R15-GM
Faucet: A-805-BL

SINK & FAUCET WHOLESALE

FEATURED PRODUCTS CATALOG



571-291-3484 • WWW.ALLORAUSA.COM • SALES@ALLORAUSA.COM



At Allora USA, our mission is to be the preferred provider of authentic quality, style, and value for Builders, Architects, Contractors, and Developers. Since our establishment in 2009, we've operated as a family-owned enterprise with a steadfast dedication to addressing the distinctive needs of our clients.

With a solid track record for dependable products and an unyielding pledge to customer contentment, our brand is synonymous with trust, earning the confidence of both builders and homeowners alike.



Allora's sinks and faucets are of excellent quality, and their team goes above and beyond to ensure customer satisfaction. Highly recommend for any business looking for reliable and stylish sink solutions.

- Dara B.
Architect

Contents

SINKS

KITCHEN SINKS	PAGE
■ ADA KITCHEN SINKS	1-3
Zero and Tight Radius Series	1-2
Standard Radius Series	2
Top Mount Series	3
■ STANDARD KITCHEN SINKS	3-5
7" Depth Series	3
9" Depth Series	3-5
■ ZERO RADIUS KITCHEN SINKS	5-6
9" Depth Series	5
10" Depth Series	6
■ TIGHT RADIUS KITCHEN SINKS	6-8
9" Depth Series	6-7
10" Depth Series	7-8
■ BAR SINKS	8-9
Standard Radius Series	8
Tight Radius Series	9
■ WORKSTATION KITCHEN SINKS	10
■ TOP MOUNT KITCHEN SINKS	11
■ SPECIALTY KITCHEN SINKS	11-13
 BATHROOM SINKS	
■ ADA BATHROOM SINKS	13
■ STANDARD BATHROOM SINKS	14-15
 FAUCETS	
■ KITCHEN & BAR FAUCETS	17
■ BATHROOM FAUCETS	18-19
 ACCESSORIES	
■ ACCESSORIES	19
COMMERCIAL SOLUTIONS	20

Kitchen & Bathroom Sinks

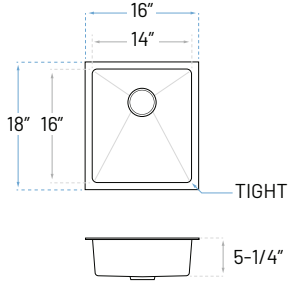
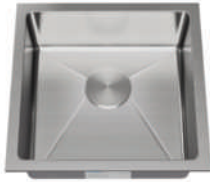
KEY

- | | | | |
|------------------|-------------------|------------------|-------------|
| FC | Fireclay | LS | Laundry |
| GC | Granite Composite | TOP | Top Mount |
| KH | Handmade | DM | Dual Mount |
| KHWS | Workstation | GM | Gun Metal |
| KSN | Machine Pressed | R | Rectangular |
| LD | Low Divide | O | Oval |

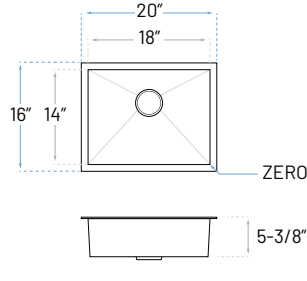
Sink: KH-3118-9-S-R20
Faucet: A-710-BN

Zero and Tight Radius Series

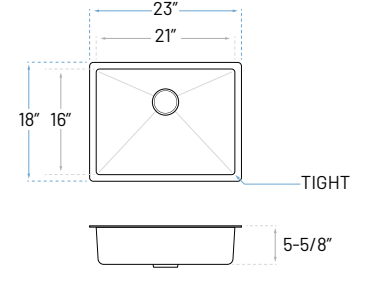
ADA-KH-1618-S-R20



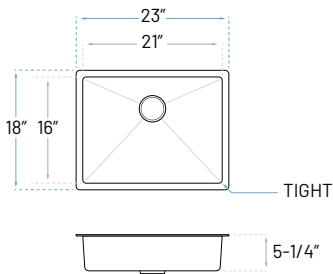
ADA-KH-2016-S-R0



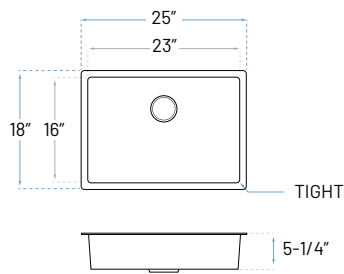
ADA-KH-2318-S-R15



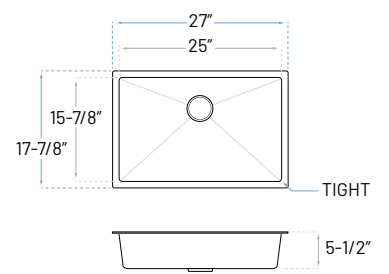
ADA-KH-2318-S-R20



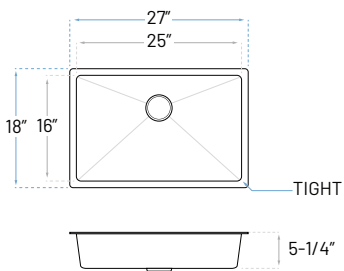
ADA-KH-2518-S-R20



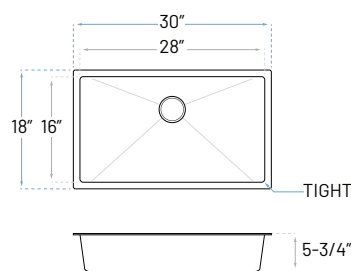
ADA-KH-2718-S-R15



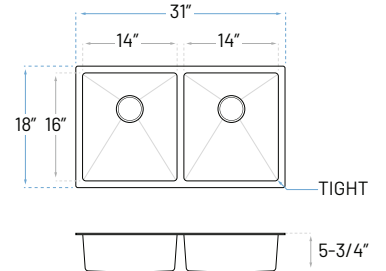
ADA-KH-2718-S-R20



ADA-KH-3018-S-R15

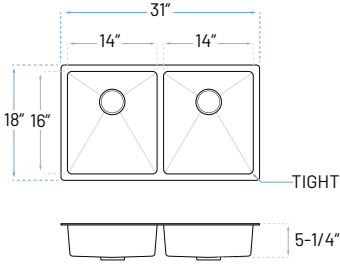


ADA-KH-3118-D-R15

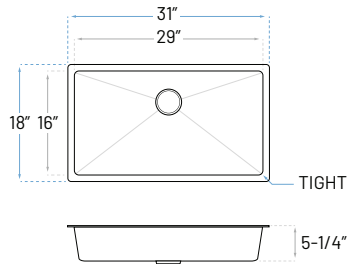




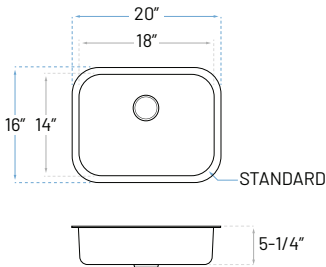
ADA-KH-3118-D-R20



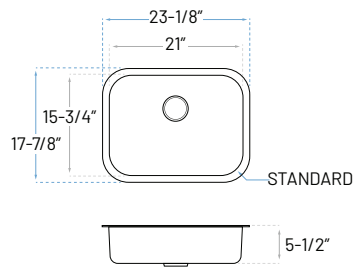
ADA-KH-3118-S-R20



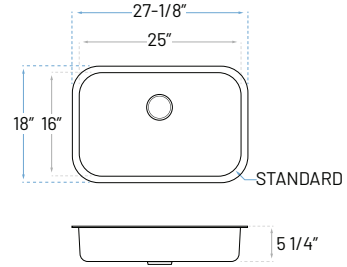
ADA-KSN-2016-S



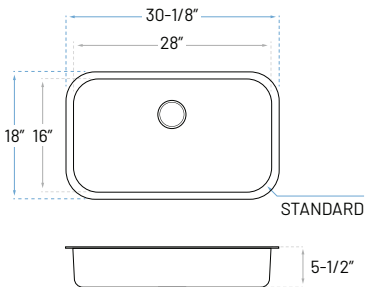
ADA-KSN-2318-S



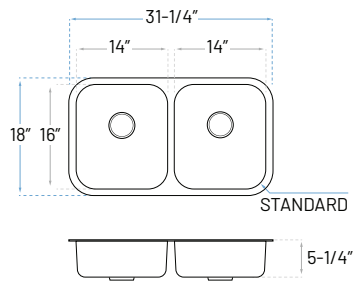
ADA-KSN-2718-S



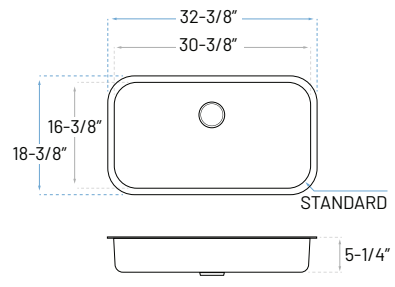
ADA-KSN-3018-S



ADA-KSN-3118-D



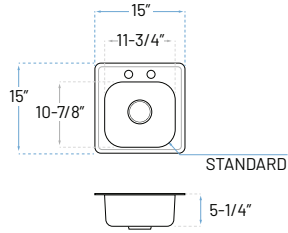
ADA-KSN-3218-S



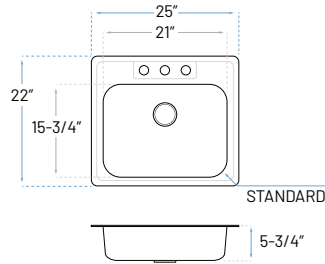


Top Mount Series

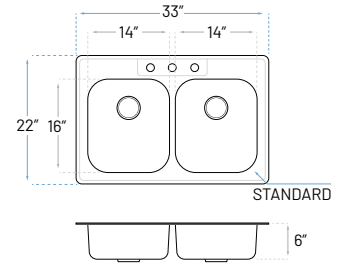
ADA-TOP-1515-S



ADA-TOP-2522-S

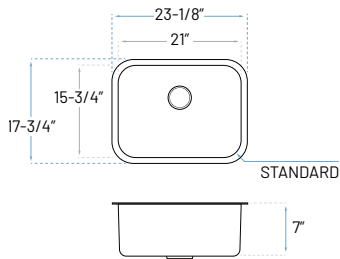


ADA-TOP-3322-D

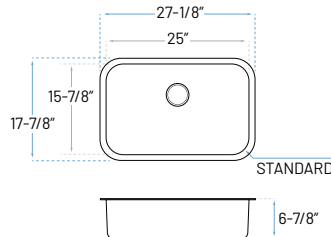


7" Depth Series

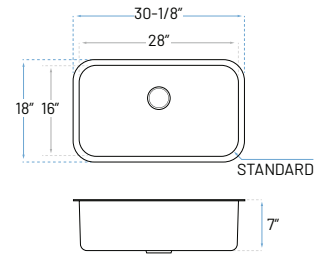
KSN-2318-7-S



KSN-2718-7-S

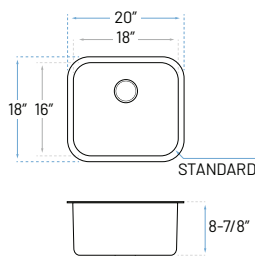


KSN-3018-7-S

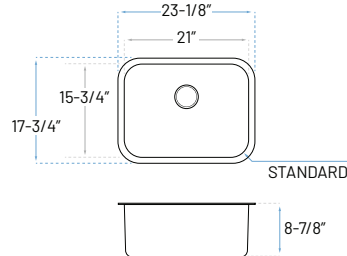


9" Depth Series

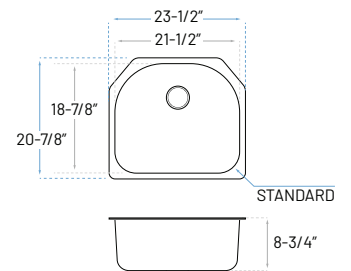
KSN-2018-9-S



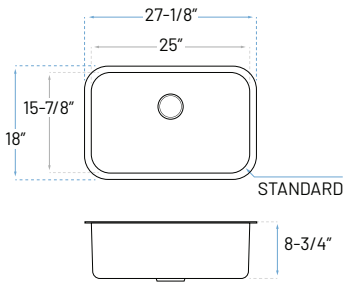
KSN-2318-9-S



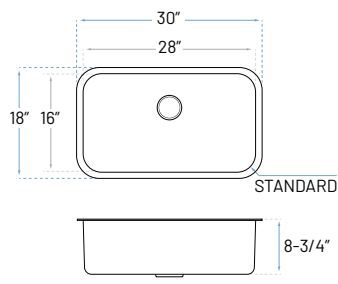
KSN-2321-9-S



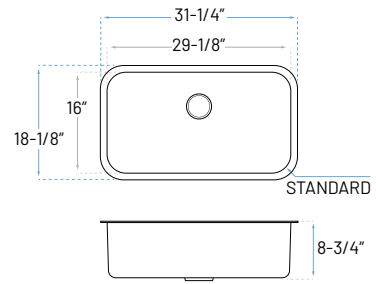
KSN-2718-9-S



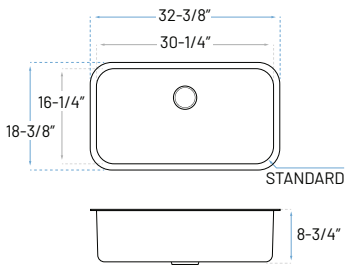
KSN-3018-9-S



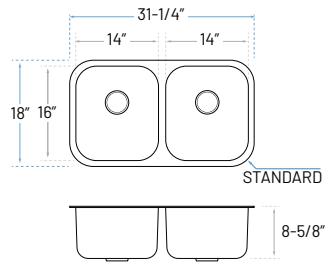
KSN-3118-9-S



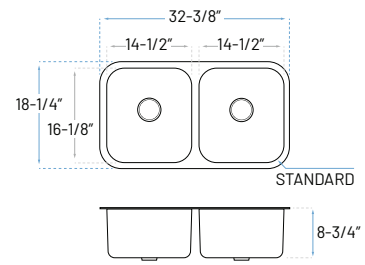
KSN-3218-9-S



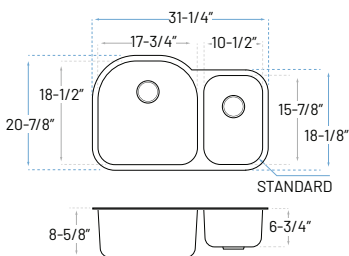
KSN-3118-9-D



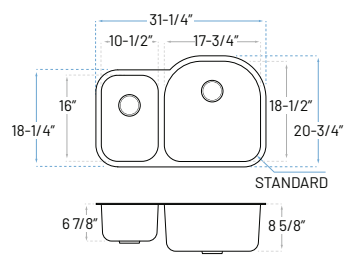
KSN-3218-9-D



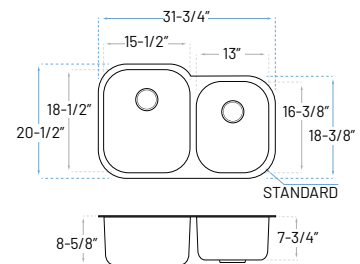
KSN-2131-9-D



KSN-3121R-9-D

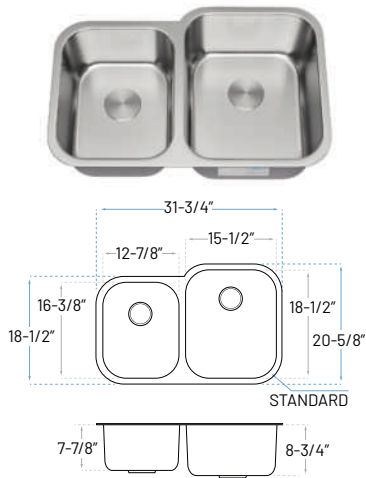


KSN-2132-9-D



9" Depth Series

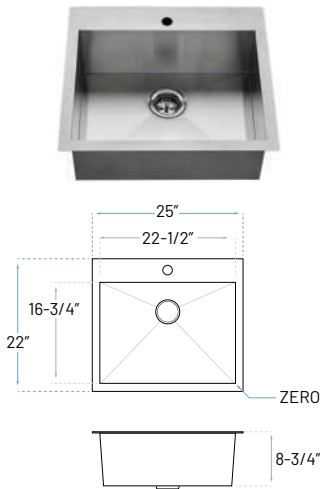
KSN-3221R-9-D



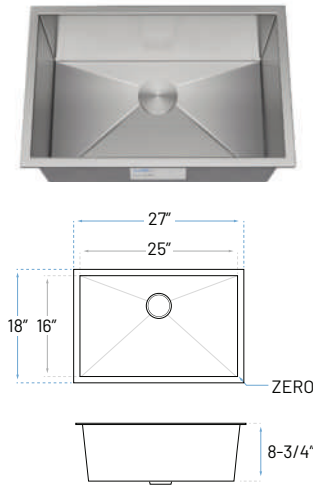
Sink: KSN-2318-9-S
Faucet: A-700-BN

9" Depth Series

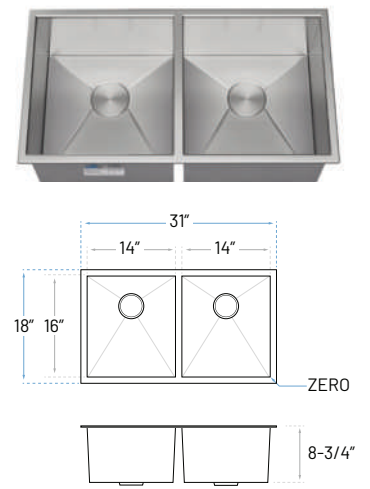
KH-2522-9-S-R0-DM



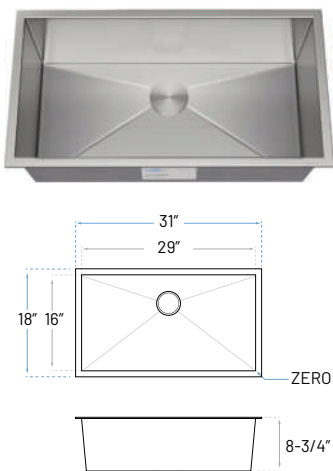
KH-2718-9-S-R0



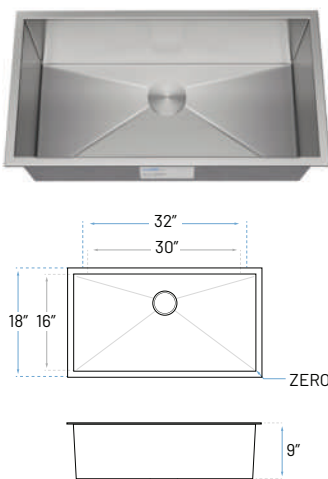
KH-3118-9-D-R0



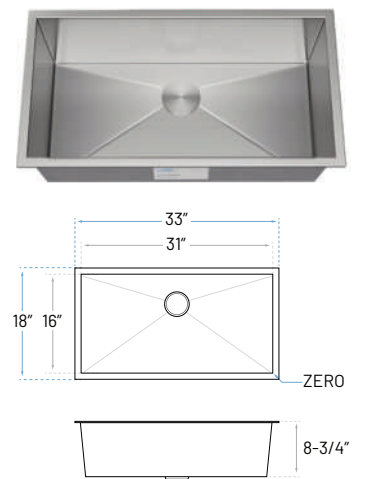
KH-3118-9-S-R0



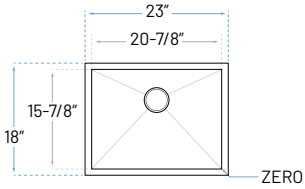
KH-3218-9-S-R0



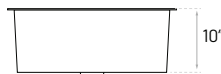
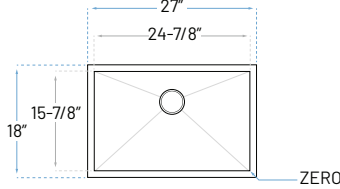
KH-3318-9-S-R0



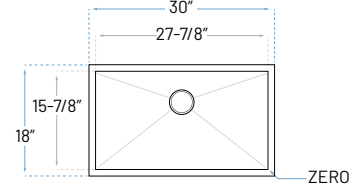
KH-2318-10-S-R0



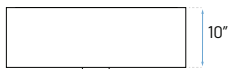
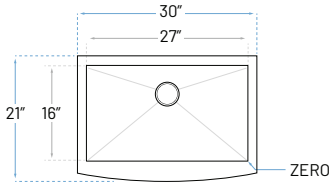
KH-2718-10-S-R0



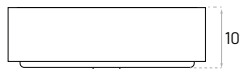
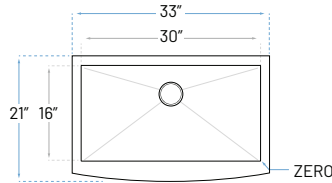
KH-3018-10-S-R0



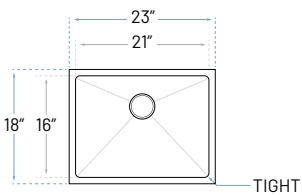
KH-3021-10-S-R0-F



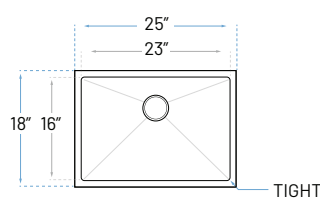
KH-3321-10-S-R0-F



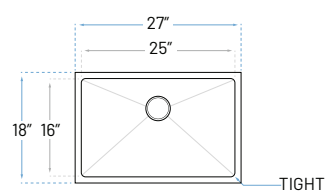
KH-2318-9-S-R20



KH-2518-9-S-R20

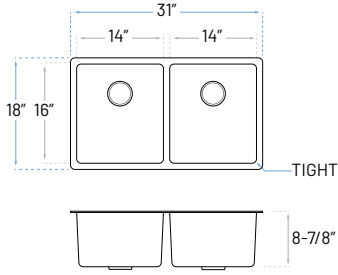


KH-2718-9-S-R20

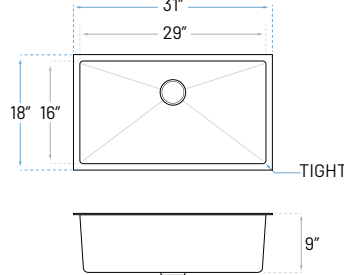


9" Depth Series

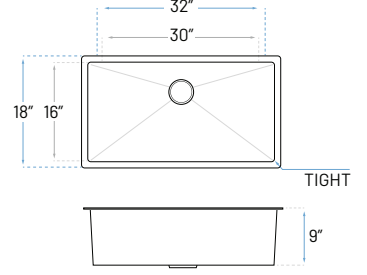
KH-3118-9-D-R20



KH-3118-9-S-R20

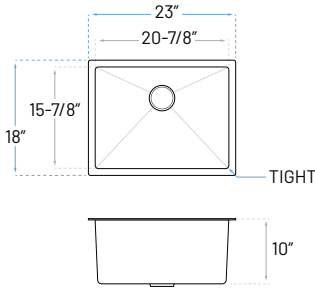


KH-3218-9-S-R20

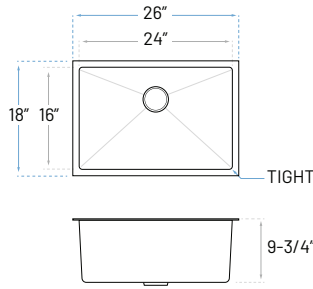


10" Depth Series

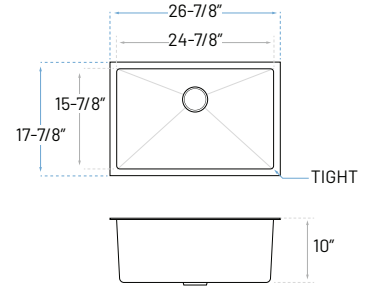
KH-2318-10-S-R15



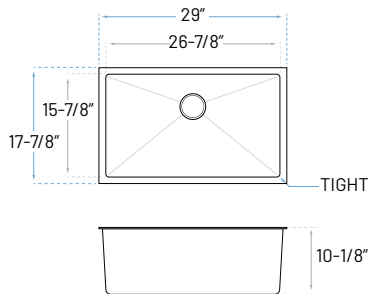
KH-2618-10-S-R15



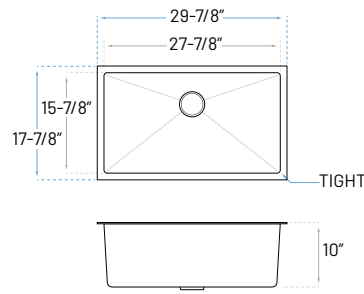
KH-2718-10-S-R15



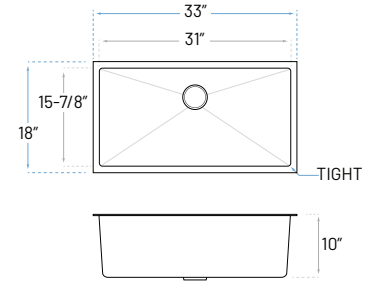
KH-2918-10-S-R15



KH-3018-10-S-R15



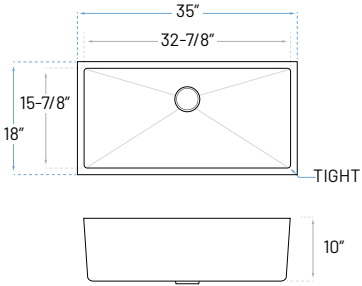
KH-3318-10-S-R15



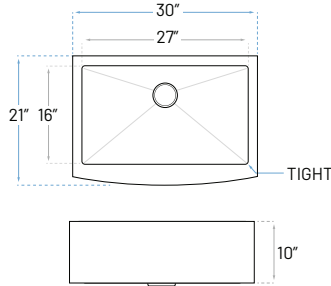
10" Depth Series

Standard Radius Series

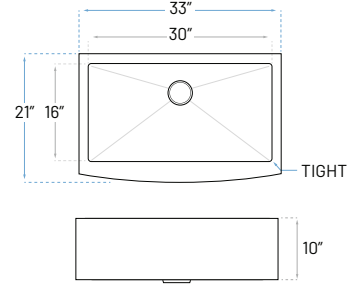
KH-3518-10-S-R15



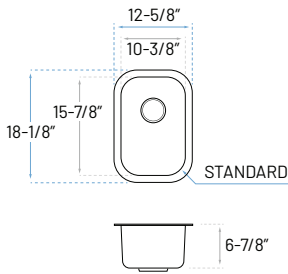
KH-3021-10-S-R15-F



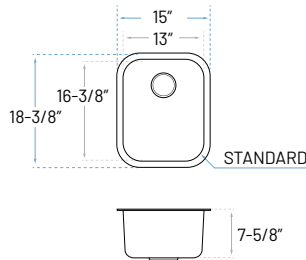
KH-3321-10-S-R15-F



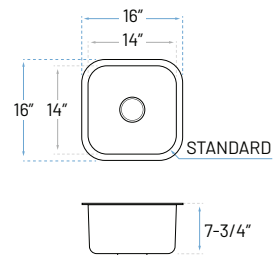
KSN-1218-8-S



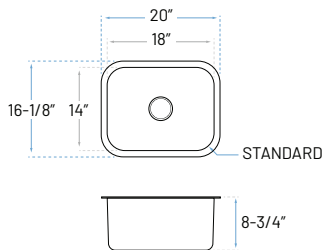
KSN-1518-8-S



KSN-1616-8-S

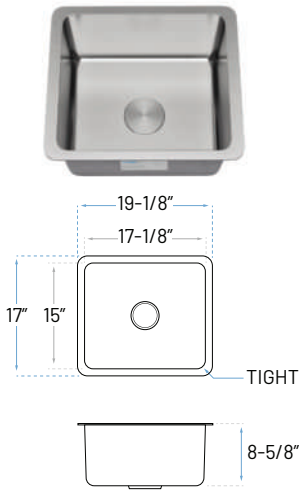


KSN-2016-9-S

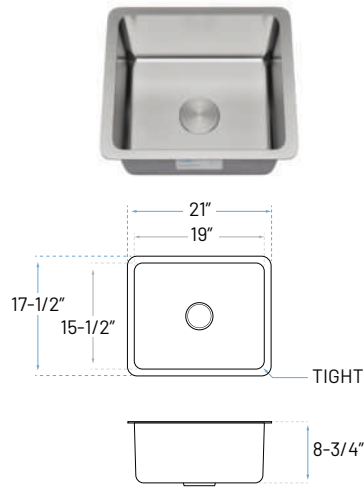


Tight Radius Series

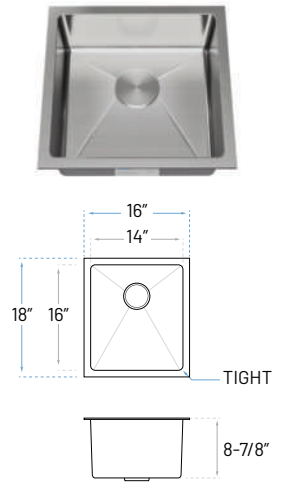
KSN-1917-9-S-R25



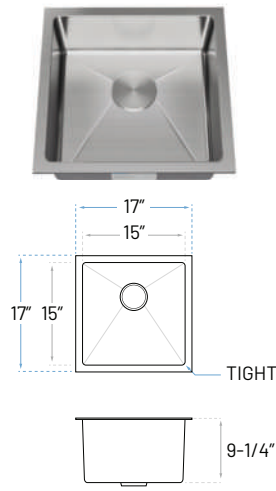
KSN-2117-R25



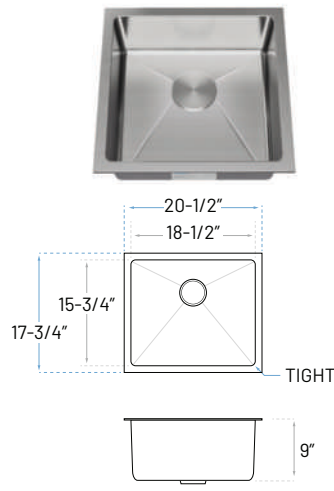
KH-1618-9-S-R20



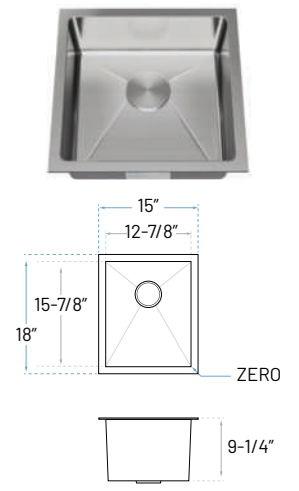
KH-1717-10-S-R15



KH-2118-9-S-R20



KH-1518-9-S-R0



Heavy-Duty 18G Stainless Steel

Designed for excellent durability and high-performance

Tight-Radius Modern Corners

Designed for a contemporary look and easy cleaning

Wear-Resistant Finish

Smooth easy-to-clean surface helps resist corrosion and rust

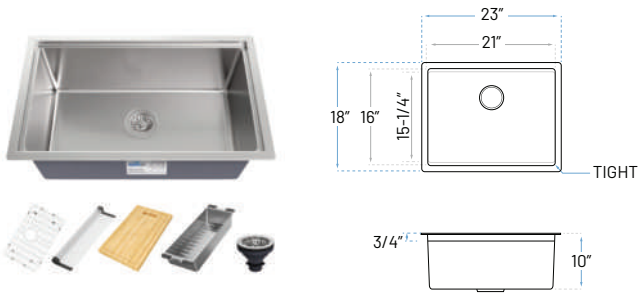
Soundproof Technology

Super-silencer pads on the bottom of the sink help prevent noise and vibration

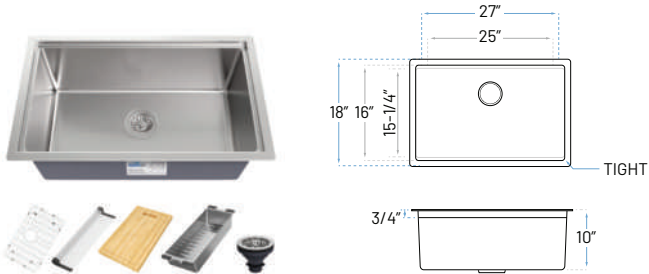
Engineered for Easy Draining

Sloped bottom with channel grooves helps prevent water from pooling in the sink

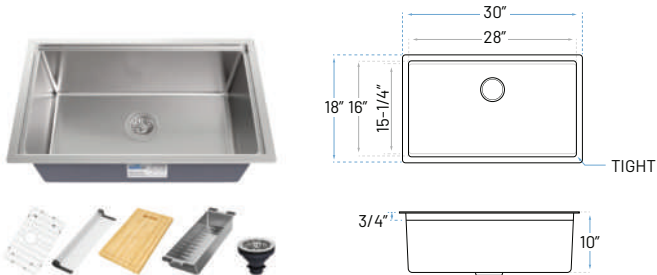
KHWS-2318-10-S-R15



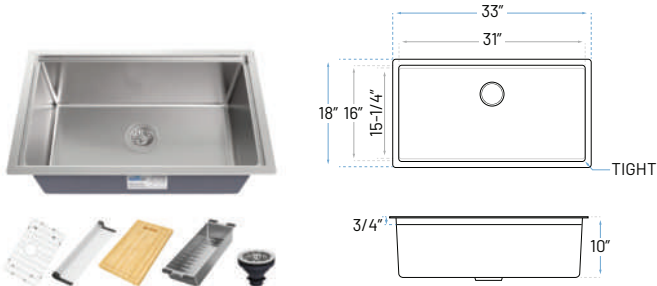
KHWS-2718-10-S-R15



KHWS-3018-10-S-R15



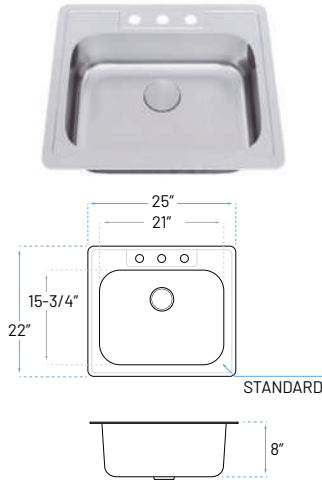
KHWS-3318-10-S-R15



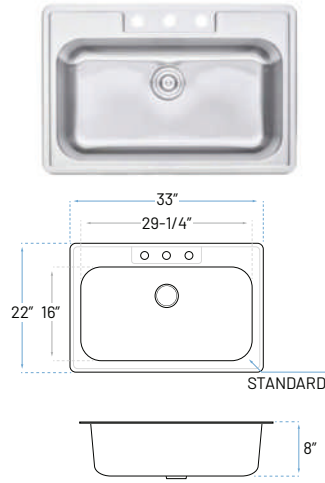
Upgrade Your Kitchen with Allora USA Workstation Sinks for Ultimate Efficiency & Style!

Enhance your kitchen's efficiency with these exquisite workstation sinks. The seamlessly integrated tracks allow for effortless attachment of custom accessories. Allora USA workstation sinks are meticulously crafted to complement any kitchen decor. Your workstation comes complete with a stainless steel grid, a colander, a strainer with removable debris-catching basket, a cutting board, and a roll-up drying mat, providing you with everything you need for a well-equipped kitchen setup.

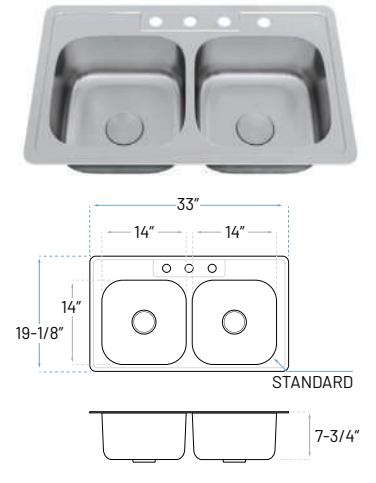
TOP-2522-8-S



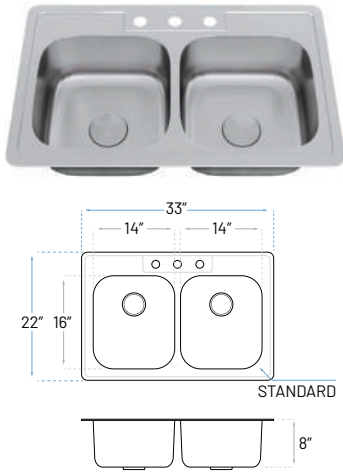
TOP-3322-8-S



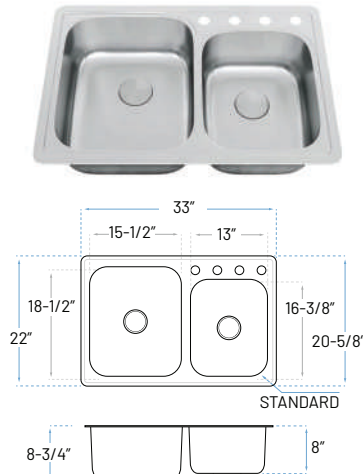
TOP-3319-8-D



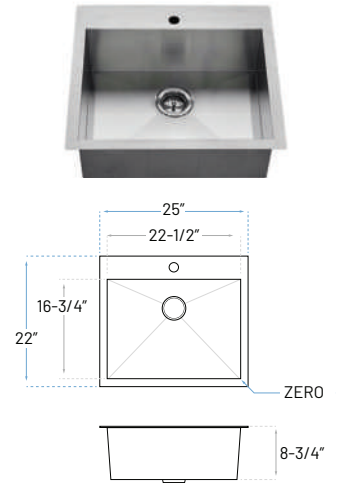
TOP-3322-8-D



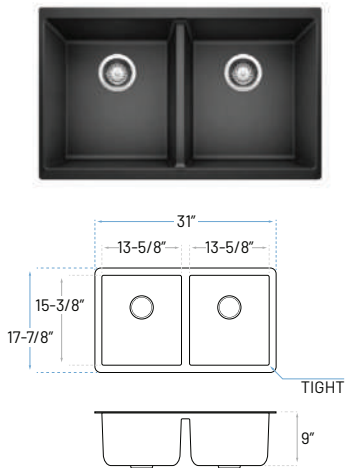
TOP-3322-9-D



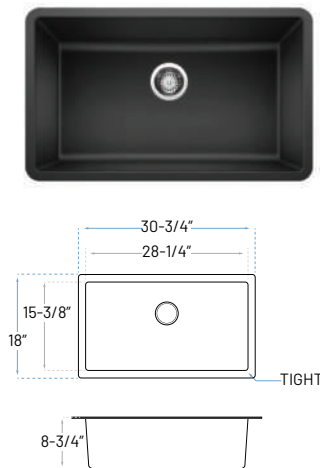
KH-2522-9-S-R0-DM



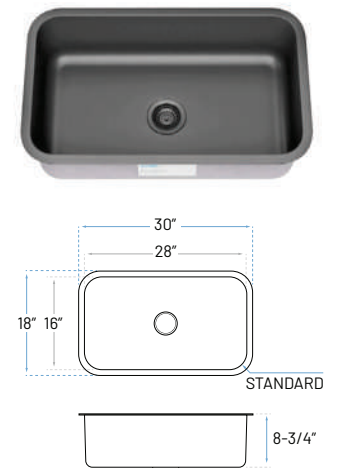
GC-3118-10-D



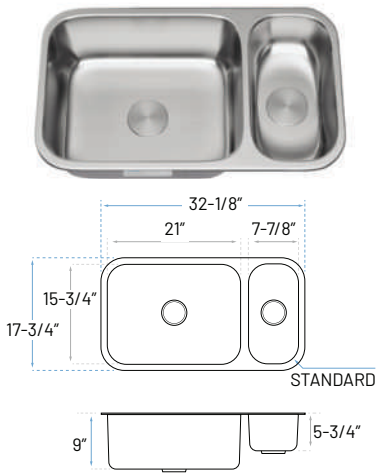
GC-3118-10-S



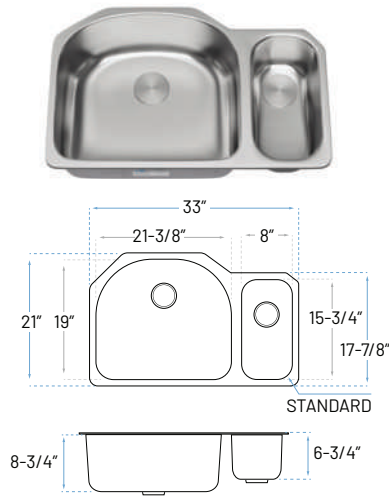
KSN-3018-9-S-GM



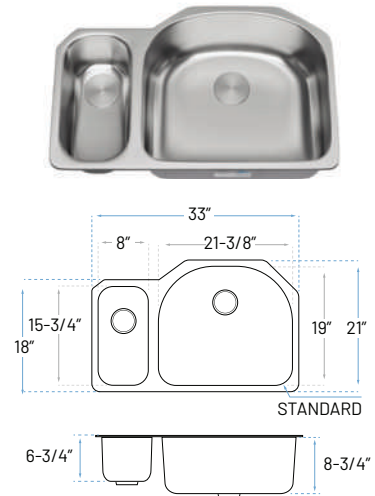
KSN-3218-D



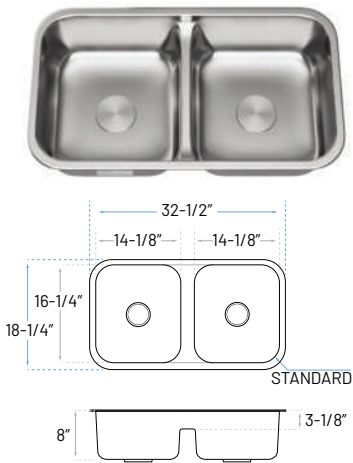
KSN-3321



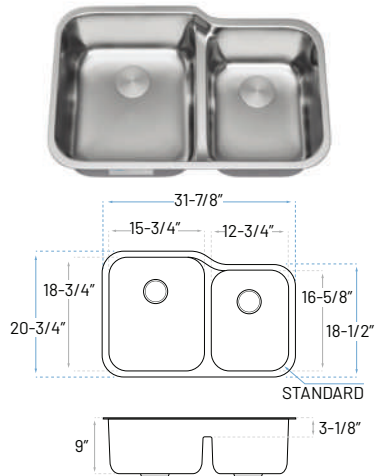
KSN-3321R



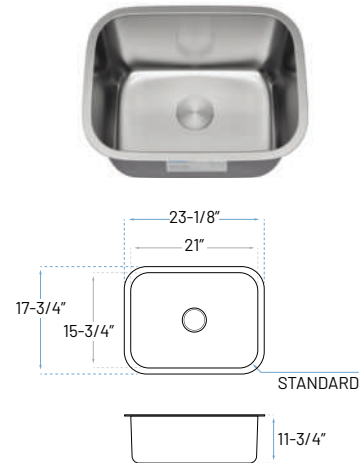
LD-3218



LD-3221



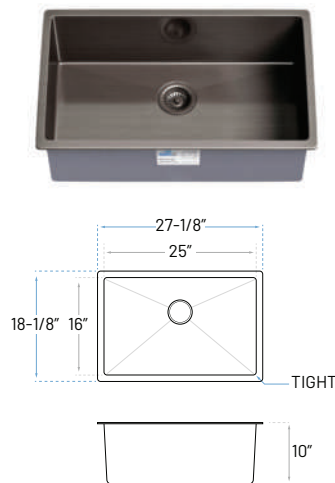
LS-2318-12-S



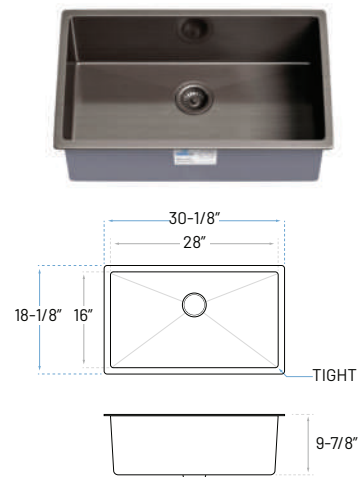
ND-3222



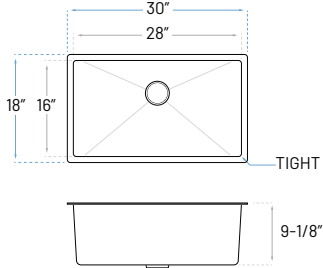
KH-2718-10-S-R15-GM



KH-3018-10-S-R15-GM



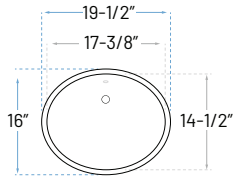
KH-3018-9-S-R15-GL



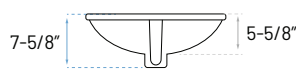
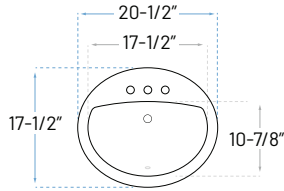
Sink: KH-3018-9-S-R15-GL
Faucet: A-720-GL



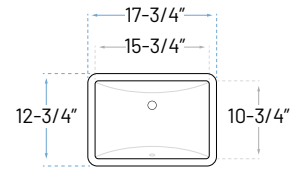
ADA-VCS-1417-O



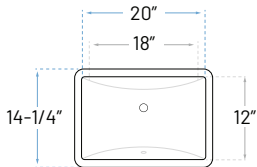
ADA-VCS-2017-O-T



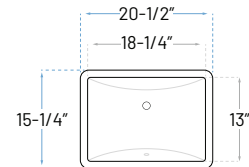
ADA-VCS-1116-R



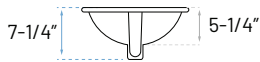
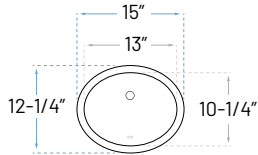
ADA-VCS-1218-R



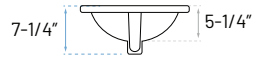
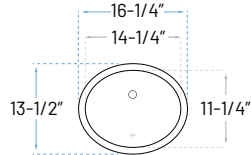
ADA-VCS-1318-R



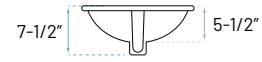
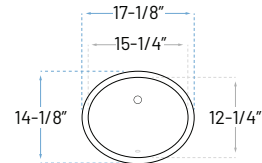
VCS-1013-O



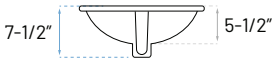
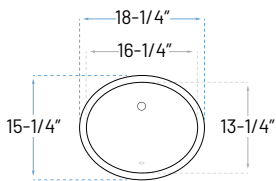
VCS-1114-O



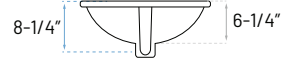
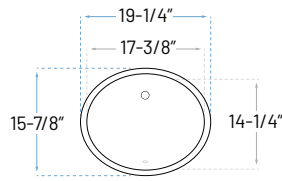
VCS-1215-O



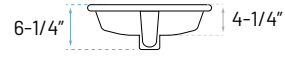
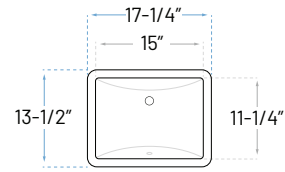
VCS-1316-O



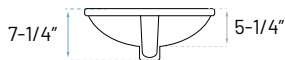
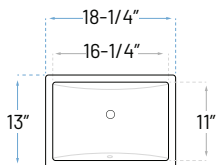
VCS-1417-O



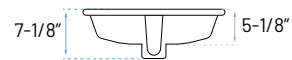
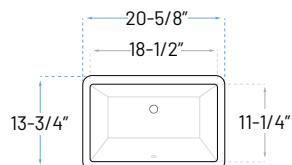
VCS-1115-R



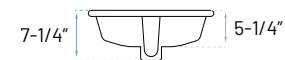
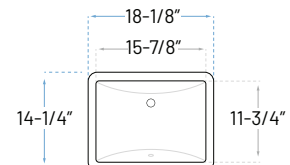
VCS-1116-R



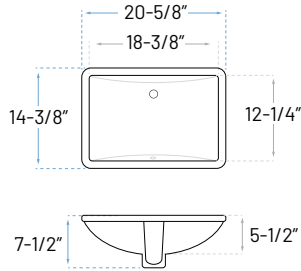
VCS-1118-R



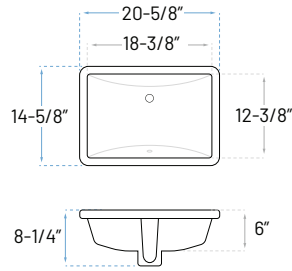
VCS-1216-R



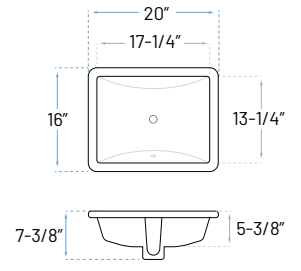
VCS-1218-N-R



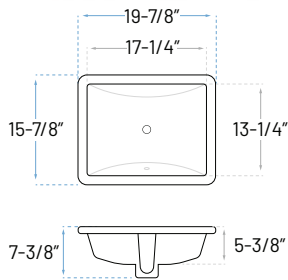
VCS-1218-R



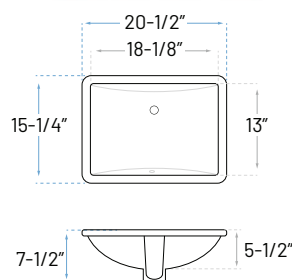
VCS-1317-BL



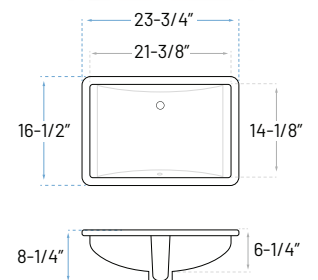
VCS-1317-R



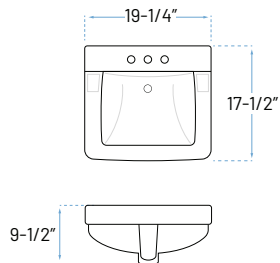
VCS-1318-R



VCS-1421-R



WMC-1918-R



All of our porcelain sinks are made from vitreous china, one of the best and most popular materials for bathroom sinks.

Each sink is produced from high-quality clay that is triple-glazed and triple-fired at 2,000°F. This creates highly-durable porcelain material with a non-porous structure and a stain-resistant, easy-to-clean surface. A fine layer of high-quality paint offers a glossy, uniform appearance. Every sink is individually crafted on a hand-thrown potter's wheel, and molded into shape by a skilled ceramic sculptor.

Kitchen & Bathroom Faucets

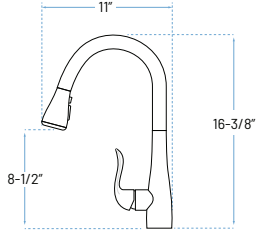


Sink: FC-3220-S
Faucet: A-726-BN

A-200



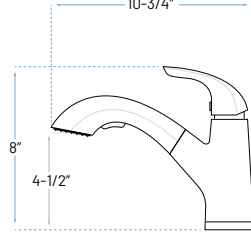
AVAILABLE COLOR:
STAINLESS STEEL



A-700



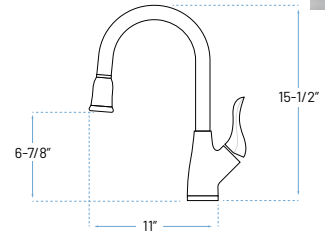
AVAILABLE COLORS:
BRUSHED NICKEL
CHROME



A-710



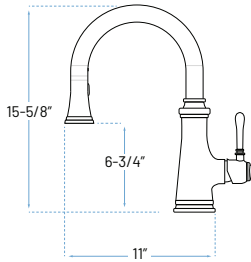
AVAILABLE COLORS:
BRUSHED NICKEL
CHROME



A-726



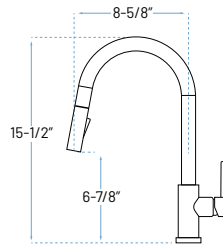
AVAILABLE COLORS:
BRUSHED NICKEL
CHROME



A-805



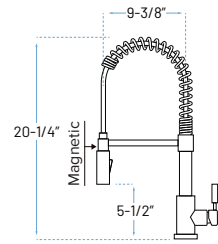
AVAILABLE COLORS:
BRUSHED NICKEL
CHROME
BLACK



A-807



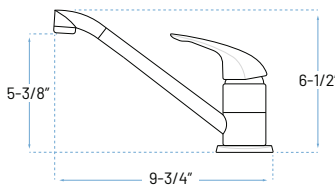
AVAILABLE COLORS:
BRUSHED NICKEL
CHROME
BLACK



B-100



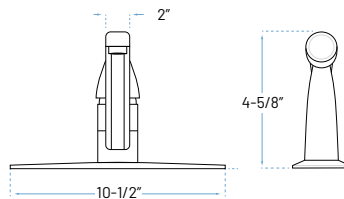
AVAILABLE COLOR:
CHROME



B-101



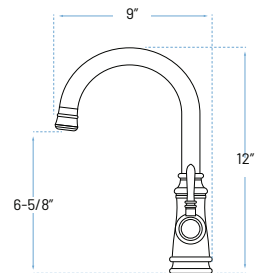
AVAILABLE COLOR:
CHROME



BAR-7260



AVAILABLE COLORS:
BRUSHED NICKEL
CHROME



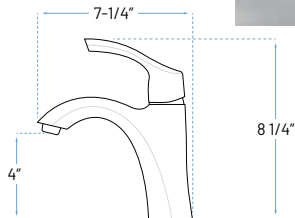
A-6550



AVAILABLE COLORS:

BRUSHED NICKEL

CHROME



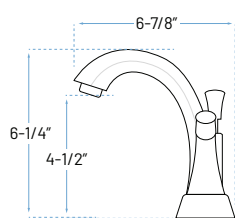
A-6560



AVAILABLE COLORS:

BRUSHED NICKEL

CHROME



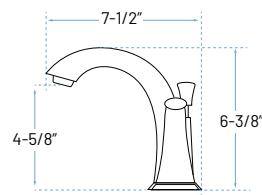
A-6570



AVAILABLE COLORS:

BRUSHED NICKEL

CHROME



A-7001

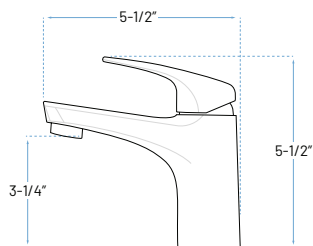


AVAILABLE COLORS:

BRUSHED NICKEL

CHROME

BLACK



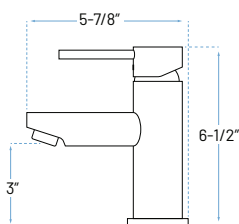
A-7002



AVAILABLE COLORS:

BRUSHED NICKEL

CHROME



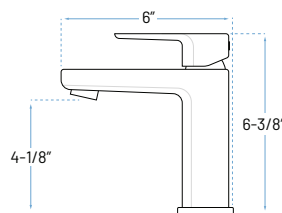
A-7004



AVAILABLE COLORS:

BRUSHED NICKEL

CHROME



A-7005

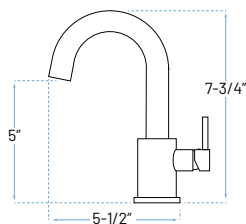


AVAILABLE COLORS:

BRUSHED NICKEL

CHROME

BLACK



A-7006

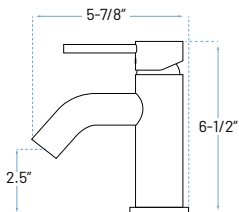


AVAILABLE COLORS:

BRUSHED NICKEL

CHROME

BLACK



A-7014

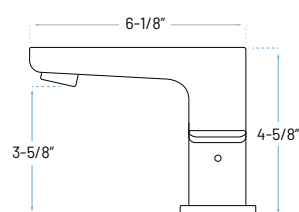


AVAILABLE COLORS:

BRUSHED NICKEL

CHROME

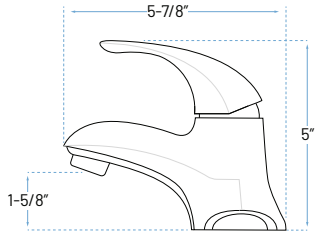
BLACK



B-4000



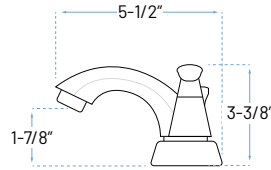
AVAILABLE COLOR:



B-4001



AVAILABLE COLORS:



CUTTING BOARD



DC-450



SR-220



SR-330-GL



SR-330-BL



EPOXY CLIPS



INSERT CLIPS



BUTTERFLY CLIPS



Sink: KHWS-3018-10-S-R15
Faucet: A-200-SS

Commercial Solutions

Allora USA offers facility solutions for the demanding needs of commercial spaces, serving multifamily, senior living, student housing, and hospitality environments nationwide.



MULTIFAMILY

Allora USA offers robust solutions for developers and contractors, guaranteeing durable strength, reliable performance, and impeccable design for residents. Whether for a single residence or multiple projects, our products deliver durability, quality, and style, featuring easy installation and maintenance. Backed by a top-tier warranty, our customer-centric approach ensures complete satisfaction.

SENIOR LIVING

Elevate seniors' living with Allora USA kitchen and bath products. Our thoughtfully designed, accessible, and functional offerings blend style and convenience, prioritizing durability and user-friendly features for enhanced comfort and safety. From faucets to fixtures, our products cater to seniors' unique needs, fostering independence and well-being. Experience a transformation in senior living with Allora USA's quality and reliability.

STUDENT HOUSING

Enhance college living with Allora USA kitchen and bath products, blending style and functionality seamlessly. Our durable and user-friendly designs prioritize comfort and safety in dorms and residences. From modern faucets to sleek fixtures, our products cater to students' unique needs, fostering a home away from home. Elevate your college living experience with Allora USA's quality and reliability.

HOSPITALITY

We acknowledge that prioritizing an outstanding guest experience is your utmost concern, and we recognize that only excellence will suffice. Provide your guests with the opulence and resilience of Allora USA bath products, fostering a genuine sense of home. Allora USA has set forth approved brand standards for its hospitality partners, ensuring they mirror the distinct décor and personality of each unique property.



10-Year Industry-Leading Commercial Warranty

We are committed to providing a great experience. This commitment encompasses various aspects, all centered around our valued customers. Our warranties reflect our confidence in the excellence of our durable plumbing products and the individuals behind their creation.

LEARN MORE AT: WWW.ALLORAUSA.COM/COMMERCIAL

Certifications & Standards



cUPC Certified

Certified by IAPMO as complying with applicable ASME and NSF standards AND the Uniform Plumbing Code (UPC) on applicable models.



WaterSense

Applicable faucets meet EPA's criteria for water efficiency and performance.



ADA Compliant

ADA Compliant

Offering many products that are compliant with the American Disabilities Act (ADA), meant to provide ease of operation and access. Meets ANSI A117.1 requirements.



Browse Our Products Online

Features our entire product line and a support center that provides our customers with product information, additional tips, and various articles.

www.allorausea.com



SINK & FAUCET WHOLESALE

FEATURED PRODUCTS CATALOG

PH: 571-291-3484

Sales: sales@allorausea.com

Customer Service/Technical Support:
customerservice@allorausea.com

22713 Commerce Center Ct, Suite 140
Dulles, VA 20166



VISIT US ONLINE AT WWW.ALLORAUSA.COM