

# ADA-VCS-1417-O

## SPECIFICATION SHEET

White, Oval, Porcelain  
Undermount Sink  
Vanity Sink



### Codes and Standards

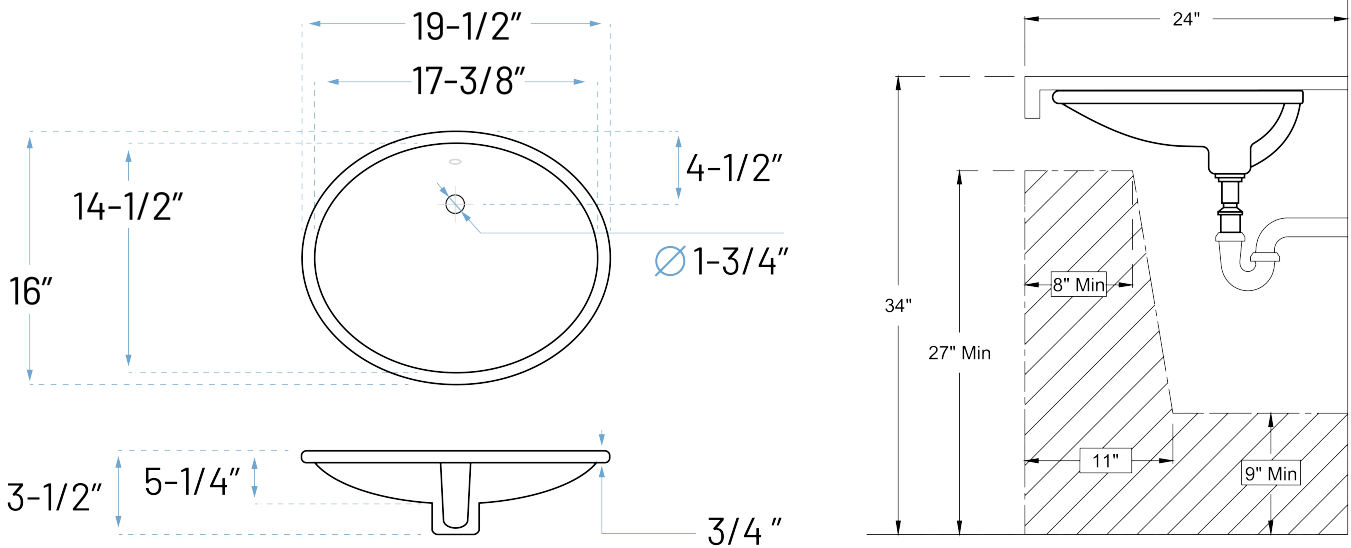
- a. cUPC ASME A112.19.2/CSA B45.1
- b. Meets ADA guidelines and ANSI A117.1 requirements when countertop is installed 34" from finished floor

### Product Features

- a. Rear Overflow
- b. Installation Type: Under-mount
- c. Material: Vitreous China
- d. Shape: Oval

### Technical Specs

- a. Drain Size : 1-3/4"
- b. Outer Dimensions : 19-1/2" x 16" x 5-1/4"
- c. Bowl Size : 17-3/8" x 14-1/2"
- d. Water Depth : 3-1/2"



Recommended ADA Installation



ADDRESS: 22713 COMMERCE CENTER COURT STE 140 DULLES, VA 20166  
PHONE: 571-291-3484 | customerservice@allorusa.com  
WEBSITE: www.allorusa.com

#### ALLORA USA NOTES / DISCLAIMER:

Allara USA is not responsible for, nor does it have any liability for any mistakes or typographical errors including liability for incidental, consequential, or special damages. Allara USA recommends that the model to be installed be present, inspected and measured prior to utilizing the related spec sheets and any work, preparations or alterations are made to any counter-top material. See website for detailed warranty information. Allara USA reserves the right to make revisions without notice to product specifications.