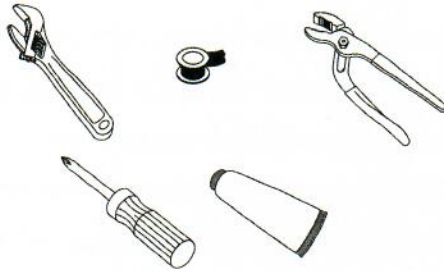


Installation

Tools

- Adjustable Wrench(2)
- Teflon Tape
- Groove Joint Plier
- Phillips Screwdriver
- Silicone Sealant



For Models : A-710-BN

Single Handle Pull-down Kitchen Faucet

Maintenance

Your new faucet is designed for years of trouble-free performance. Keep it looking new by cleaning it periodically with a soft cloth. Avoid abrasive cleaners, steel wool and harsh chemicals as these will dull the finish and void your warranty.

Safety Tips

- If you use soldering for the installation of the faucet, the seats, cartridges and washers will have to be removed before using flame. Otherwise, the warranty will be void on these parts.
- Protect your eyes with safety glass when cutting or soldering water supply lines.
- Cover your drain to avoid losing parts.



Important Points

Prior to beginning installation, turn off the cold and hot water lines and turn on the old faucet to release built-up pressure. When installing your new faucet, turn the connector nuts finger tight, then use a wrench to anchor the fitting and a second wrench to tighten the nut one additional turn. Connections that are too tight can compromise the integrity of the system. Wrap all threaded connections with a teflon tape. Always wrap in a clockwise direction.

Need Help



QUALITY FOR LIFE

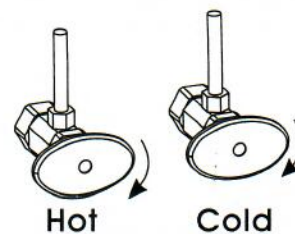
(888) MY-ALLORA

www.ALLORAUSA.com

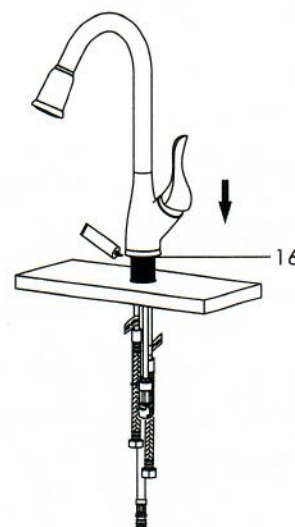
Have a question? Just call 1 888 MY ALLORA, 8 a.m. to 5 p.m. EST Monday-Friday, or send emails to customer.service@alloraua.com

Preparation/Assembly

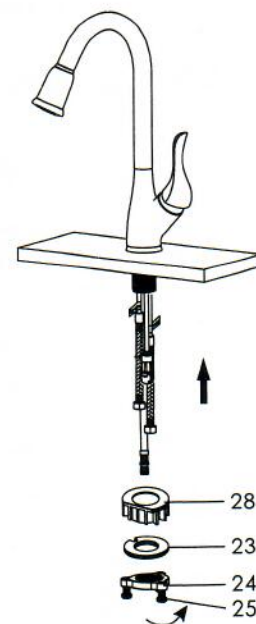
1. Shut off water supply before installation. Remove current faucet and clean and dry the sink surface the new faucet will be installed on.



2. For single hole installation - Place silicone sealant beneath the base (#16) and install the faucet through the single faucet hole.

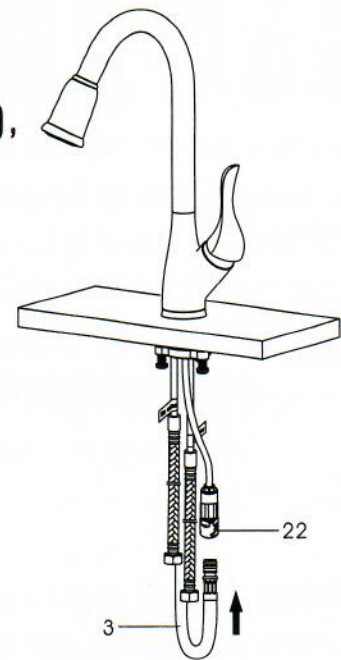


3. Attach spacer (#28) (if the thickness of counter top is less than 1/5"; if the thickness of counter top is more than 1/5", spacer (#28) is not needed), gasket assembly (#23) and lock nut (#24) from the bottom. **Please Note:** Please assemble in numerical order. Tighten but do not over tighten. Use a phillips screwdriver to tighten the 3-screws (#25) on the lock nut (#24). See diagram for visual.

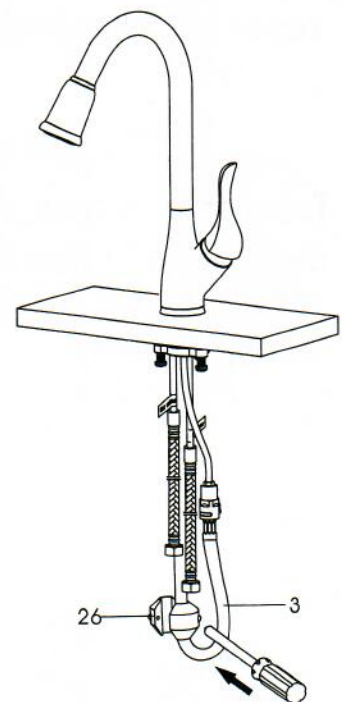


Preparation/Assembly

4. Attach the hose (#3) to the quick connect assembly (#22). Be sure to fully insert the hose (#3), you will hear a light click or popping sound when connected (see diagram).

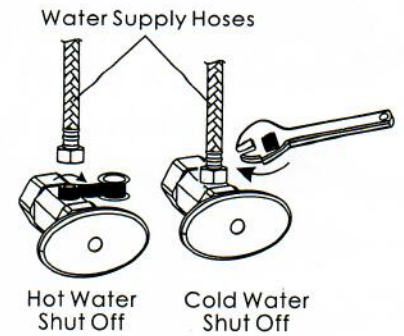


5. Attach the weight (#26) to the lowest point on the downward side of the hose (#3) to prevent the hose (#3) from twisting. The weight can be installed facing either direction, it will not move once tightened down.

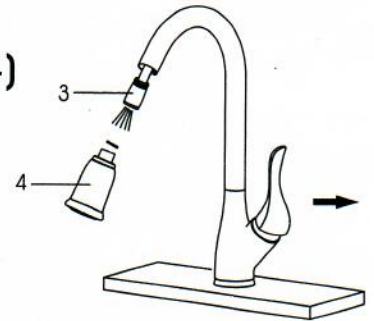


Preparation/Assembly

6. Apply teflon tape onto the threads of the faucet water shut offs in a clockwise direction. Tighten the water supply hoses onto the water supply shut offs. Please be sure to connect the cold water hose to the cold water shut off (Typically on the right) and the hot water supply hose to the hot water shut off (Typically on the left).

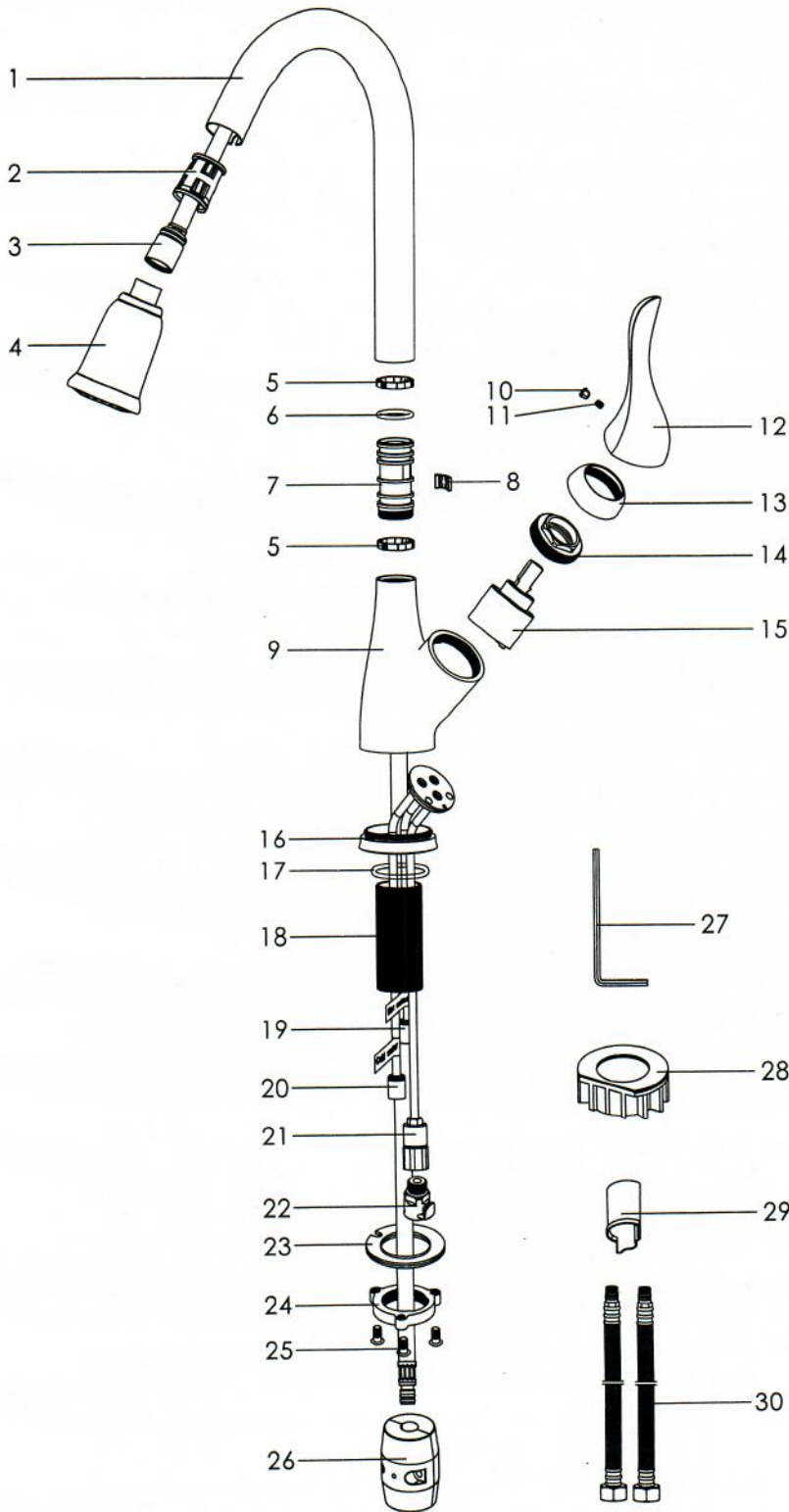


7. After installing the faucet, remove spray head (#4) from the hose (#3) and then turn on the hot and cold water shut offs. Check for leaks. If it leaks at the supply line connections at the faucet, please refer to step 6 for tightening procedure.



8. Turn on the faucet for one minute to flush the debris from the faucet. Turn off the faucet and reassemble the pull-down faucet spray head (#4) to hose (#3).

Parts Diagram / List



No.	Part Name
1	Spout
2	Hose Guide
3	Hose
4	Spray Head
5	Ring
6	O-ring
7	Connector
8	Retainer
9	Body
10	Handle Button (Red/Blue)
11	Set Screw
12	Handle
13	Trim Cap
14	Lock Nut
15	Cartridge
16	Base
17	O-ring
18	Threaded Shank
19	Copper Tube (Hot)
20	Copper Tube (Cold)
21	Outlet Tube
22	Quick Connect Assembly
23	Gasket Assembly
24	Lock Nut
25	Screw
26	Weight
27	Hex Wrench
28	Spacer
29	Protective Sleeve
30	Water Supply Lines