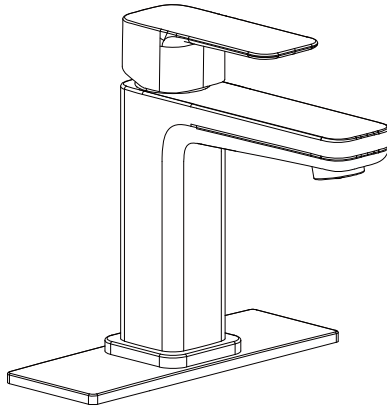




ALLORAUSA
INSTALLATION GUIDE



Single Handle Bathroom Faucet A-7004

TOOLS YOU WILL NEED



Adjustable Wrench



Pipe Tape



Phillips Screwdriver



Silicone Sealant

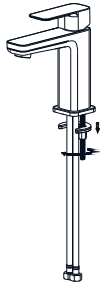
INSTALLATION TIPS

- Allora USA suggests using a locally licensed plumber for installation.
- Check if all the parts are present before beginning the installation.
- Cover your drain during the installation to avoid losing parts.

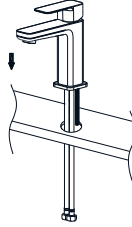
① Turn water off.



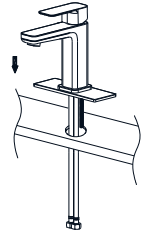
② Remove locking nut (8).



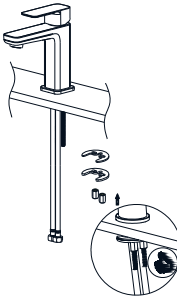
③A For single hole installation, insert faucet through hole.



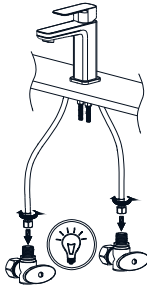
③B For deckplate in installation, insert faucet into deckplate (7), then through hole.



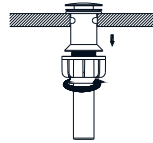
④ Reattach locking nut (8). Tighten with wrench.



⑤ Connect hot & cold hoses to supply valves, tighten with adjustable wrench.

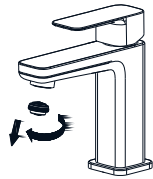


⑥ Remove lock nut (12) and flange (11). Add a ring of silicone around underside of washer. Insert drain from top of sink. Push flange (11) up base of drain.

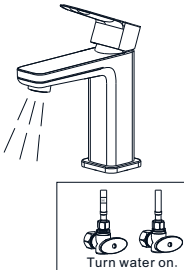


Hand-tighten lock nut. Tighten 1/4 turn extra with a wrench.

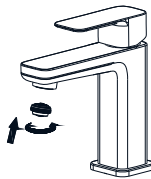
⑦A Remove aerator (6) from faucet.



⑦B Turn supply valves on. Flush water through faucet to clear any debris.



⑦C Reattach aerator (6) to faucet.



TROUBLESHOOTING

If you've followed the instructions carefully and your faucet still does not work properly, take these corrective steps.

PROBLEM	CAUSE	ACTION
Leaks underneath handle.	Retainer nut has come loose. O-ring is dirty or damaged.	Tighten the retainer nut. Clean or replace O-ring. If necessary, replace cartridge.
Aerator leaks or has an inconsistent water flow pattern.	Aerator is dirty or misfitted.	Unscrew aerator, remove any debris, check seating of rubber seal then re-assemble aerator. If necessary, replace aerator.

Need help? For technical assistance or replacement parts, please contact Allora USA Customer Service and one of our representatives will be happy to assist you:

Call 571-291-3484 or email Customerservice@allorausea.com

CARE & MAINTENANCE

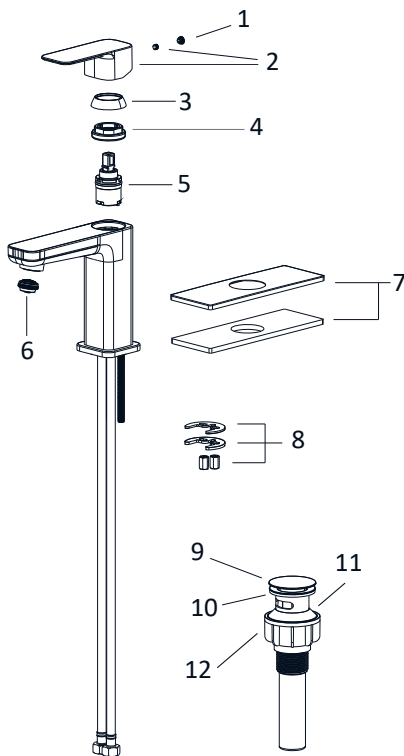
To keep the product clean & shining, follow the steps below:

1. Rinse with clean water & dry with a soft cloth
 2. Do not clean with soaps, acid, polish, abrasives or harsh cleaners
 3. Do not use cloth with a coarse surface
 4. Unscrew the aerator and clean when necessary
-



This product is engineered to meet the EPA WaterSense flow requirement. The flow rate is governed by the flow controller. If replacement is ever required, be sure to replace it with a WaterSense compliant flow controller to retain the water conserving flow rate of this product.

No.	Description	Part No.
1	Hot/Cold Indicator	AL4-10
2	Metal Handle	
3	Trim Cap	
4	Lock Nut	
5	Ceramic Disc Cartridge (25mm)	AL1-08
6	Aerator	AL4-14
7	Deck Plate (Optional)	
8	Locking Nut	
9	Stopper	AL5-01
10	Washer	
11	Flange	
12	Drain Lock Nut	



IMPORTANT

Register Your Allora USA Product

<http://www.allorausacom/registration>

Activate Your Warranty

Access Premium Customer Support

Get Product Information



REGISTER TODAY