

# A-700-BN

## SPECIFICATION SHEET

Kitchen Faucet  
Single-Handle Faucet  
Pull-Out Faucet



### Codes and Standards

- a. cUPC ASME A112.18.1-2018/CSA B125.1-18
- b. NSF/ANSI/CAN 61-2022
- c. EPA WaterSense

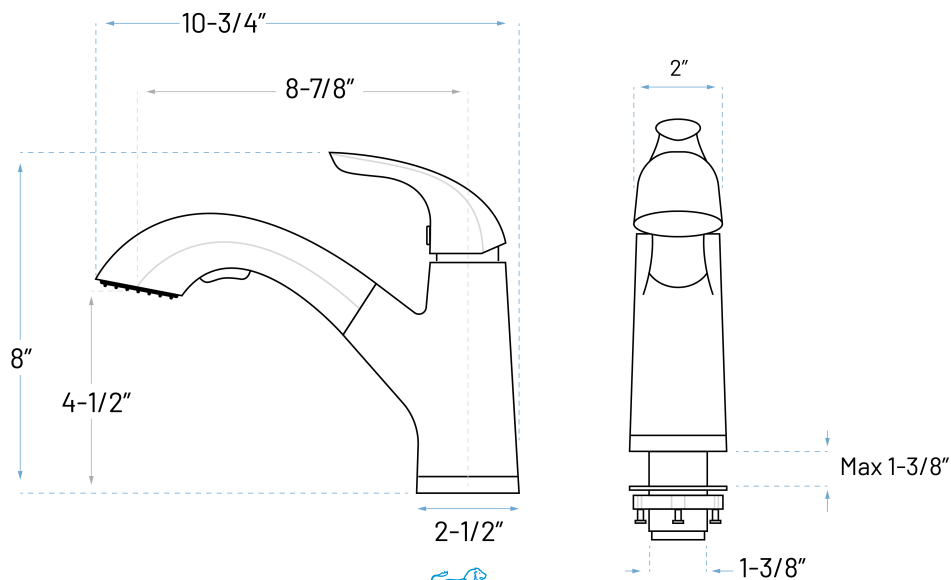
### Product Features

- a. Installation: Single Hole
- b. Finish: Brushed Nickel
- c. Material: Copper Supply and Stainless Steel Base
- d. Cartridge: Ceramic Disc
- e. Warranty: Limited Lifetime
- f. Spray Head: Two-Function
- g. Spray Hose: Light, Braided, full Swivel Function
- h. Max Flow Rate: 1.8 GPM at 60PSI



### Accessories Included

- a. Hot/Cold Supply Hoses
- b. Installation Instructions



ADDRESS: 22713 COMMERCE CENTER COURT STE 140 DULLES, VA 20166  
PHONE: 571-291-3484 | [customerservice@allorausea.com](mailto:customerservice@allorausea.com)  
WEBSITE: [www.allorausea.com](http://www.allorausea.com)

#### ALLORA USA NOTES / DISCLAIMER:

Allara USA is not responsible for, nor does it have any liability for any mistakes or typographical errors including liability for incidental, consequential, or special damages. Allara USA recommends that the model to be installed be present, inspected and measured prior to utilizing the related spec sheets and any work, preparations or alterations are made to any counter-top material. See website for detailed warranty information. Allora USA reserves the right to make revisions without notice to product specifications.

REV. Jun 28, 2023