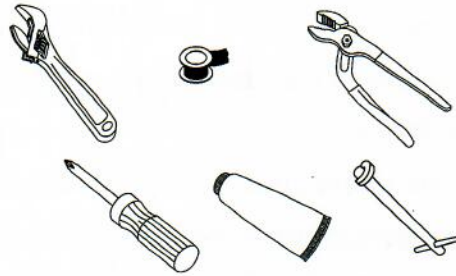


Installation

Tools

- Adjustable Wrench(2)
- Teflon Tape
- Groove Joint Plier
- Phillips Screwdriver
- Silicone Sealant
- Basin Wrench



For Models : A-6570-BN

Wide Spread Lavatory Faucet

Maintenance

Your new faucet is designed for years of trouble-free performance. Keep it looking new by cleaning it periodically with a soft cloth. Avoid abrasive cleaners, steel wool and harsh chemicals as these will dull the finish and void your warranty.

Safety Tips

- If you use soldering for the installation of the faucet, the seats, cartridges and washers will have to be removed before using flame. Otherwise, the warranty will be void on these parts.
- Protect your eyes with safety glass when cutting or soldering water supply lines.
- Cover your drain to avoid losing parts.



Important Points

Prior to beginning installation, turn off the cold and hot water lines and turn on the old faucet to release built-up pressure. When installing your new faucet, turn the connector nuts finger tight, then use a wrench to anchor the fitting and a second wrench to tighten the nut one additional turn. Connections that are too tight can compromise the integrity of the system. Wrap all threaded connections with a teflon tape. Always wrap in a clockwise direction.

Need Help



ALLORAUSA

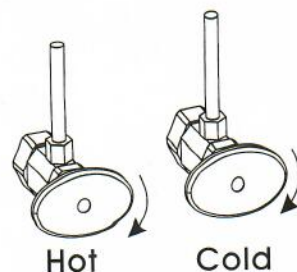
QUALITY FOR LIFE

(888) MY-ALLORA

www.ALLORAUSA.com

Preparation/Assembly

1. Shut off water supply before installation. Remove current faucet and clean and dry the sink surface the new faucet will be installed on.



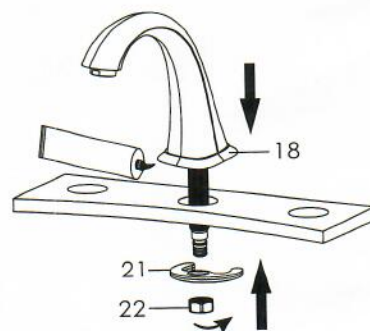
2. Unscrew lock nut (#22) and remove gasket assembly (#21) from the faucet.



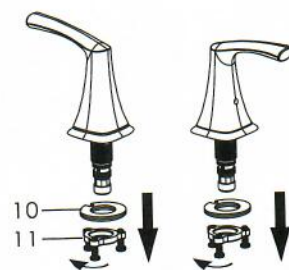
3. Place silicone sealant beneath the base (#18) and insert faucet lines through the center hole of the sink. From underneath the sink, assemble gasket assembly (#21) and lock nut (#22).

Please Note: Assemble in numerical order. See diagram for visual.

Hint: Have someone hold the spout in place while tightening.



4. Unscrew lock nut (#11) and remove gasket assembly (#10) from the faucet.

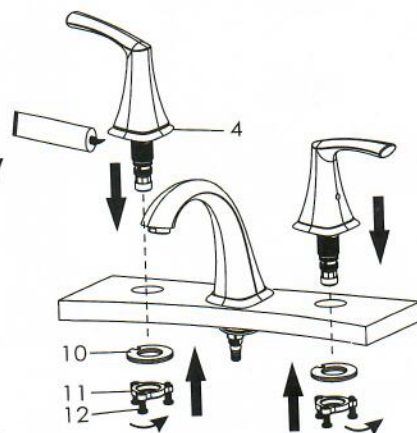


5. Place silicone sealant beneath the handle flange (#4) and install through the far left hole (hot water side), repeat the same process for the right hole (cold water side). See diagram for visual.

From underneath the sink, re-assemble gasket assembly (#10) and lock nut (#11). Hand tighten lock nut (#11).

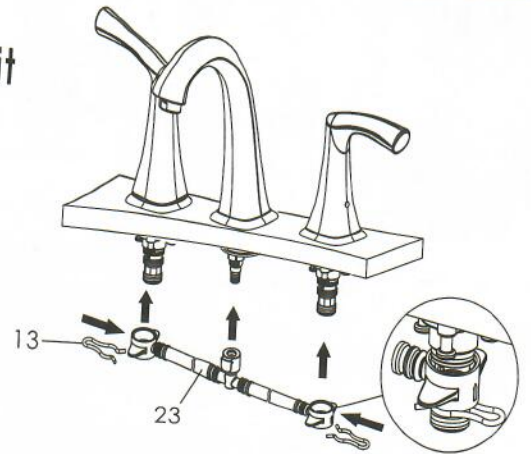
Please Note: Assemble in numerical order. Tighten but do not over tighten. Use a phillips screwdriver to tighten the 3-screws (#12) on the lock nut (#11). See diagram for visual.

Hint: Have someone hold the handles in place while tightening.

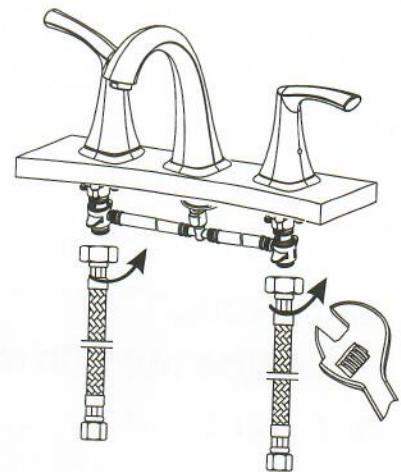


Preparation/Assembly

6. Position the flexible hose (#23) as shown and fix it to the faucet as shown with clamp spring (#13).



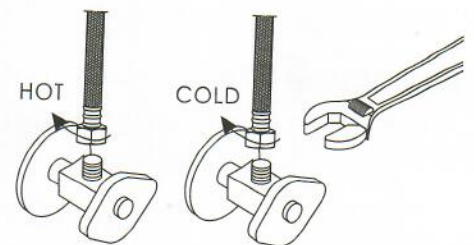
7. Connect the supply lines to the faucet and secure the nuts by adjustable wrench. The hot water supply should go on the left while the cold water supply should go on the right.



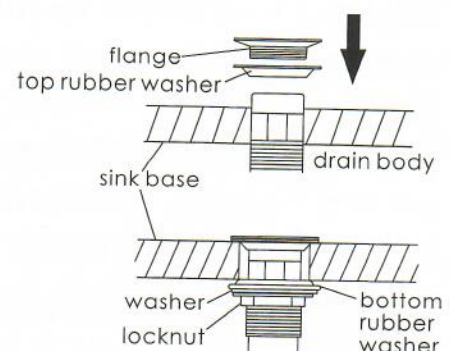
8. Connect the water supply lines to water supply valve (not included), and tighten it with adjustable wrench. **DON'T OVER TIGHTEN!**

Caution: make sure connect the hot and cold supply lines to supply valves correctly.

Warning: The supply valves are not included, please purchase them in plumbshop.

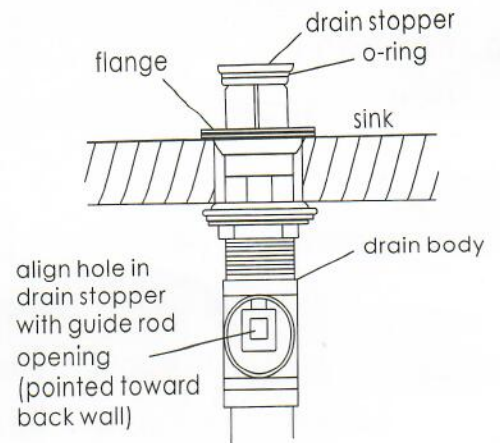


9. Remove pop-up drain stopper, and flange with top rubber washer for pop-up assembly. Insert drain body from underneath of sink drain hole. Replace flange and top rubber washer back to drain body. Tighten flange as far as possible. Remove and put silicone along bottom of. (Optional) Slide bottom rubber washer on drain

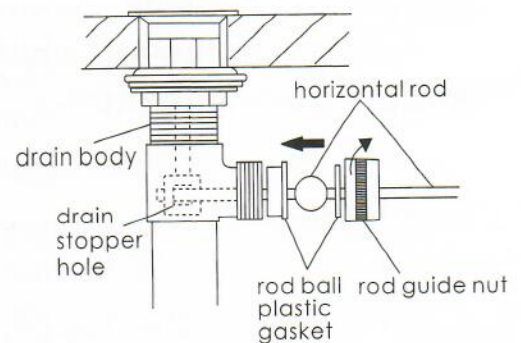


Preparation/Assembly

10. Replace pop-up drain stopper to drain body with o-ring in place, and align stopper hole with guide rod opening.



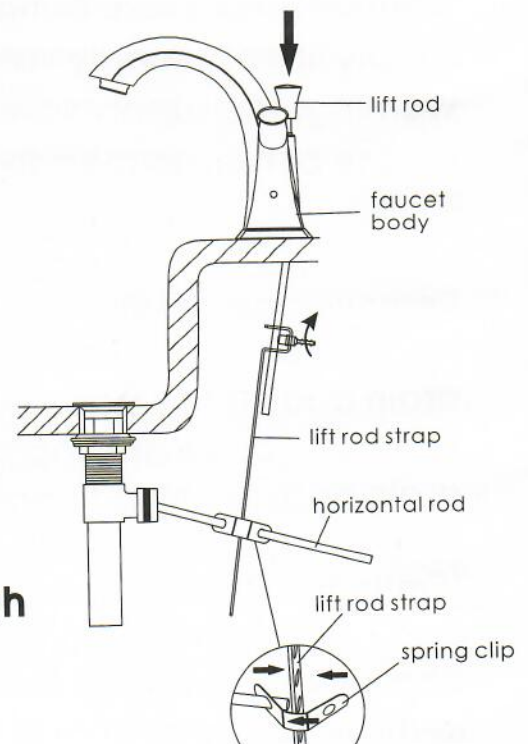
11. Remove rod guide nut and rod ball plastic gasket. Insert horizontal rod into drain body and through hole in drain stopper. Replace rod guide nut with rod ball plastic gasket and tighten it.



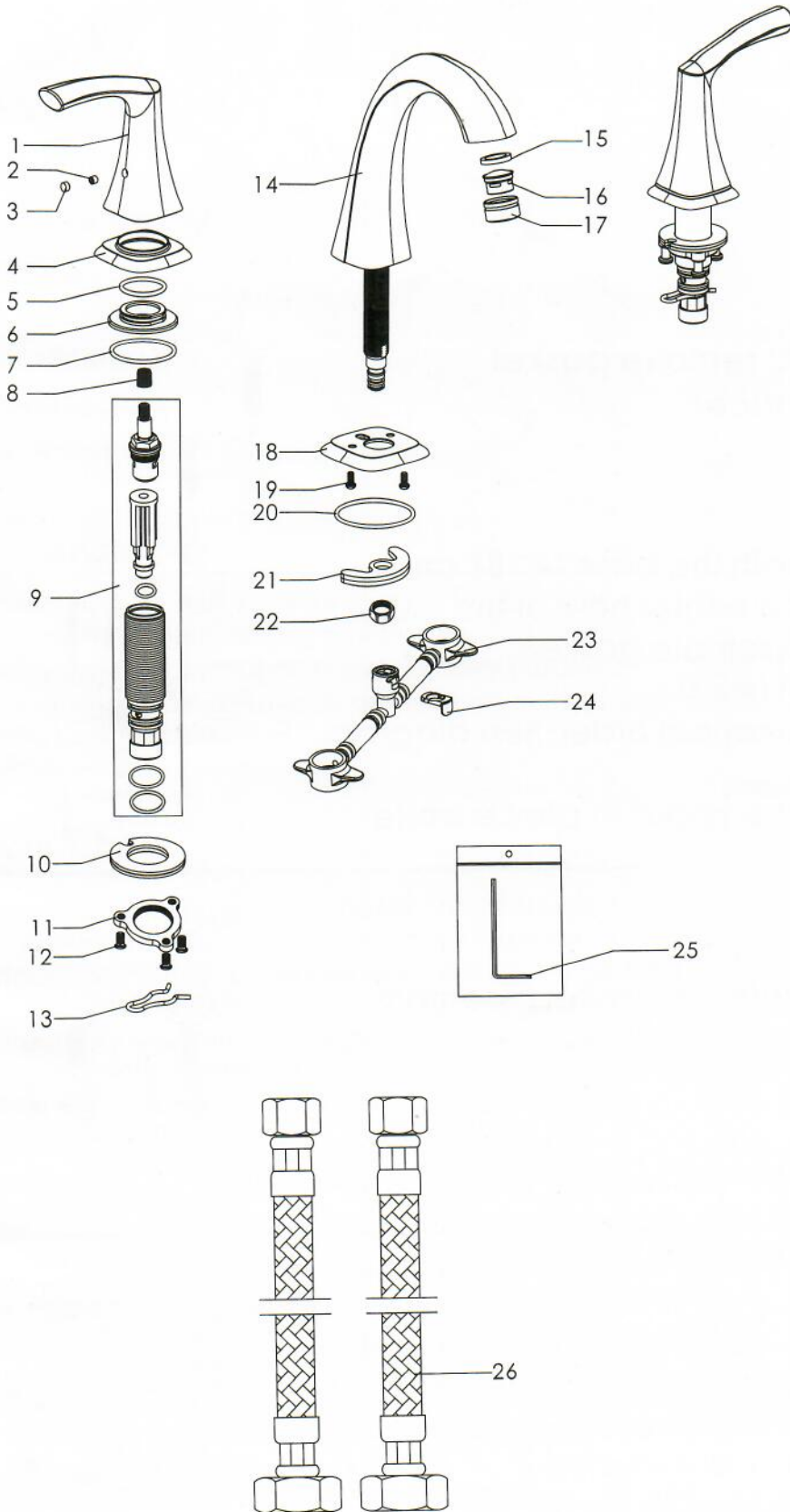
12. Place one end of the spring clip on the end of the horizontal rod. Insert the ball rod through a hole on the lift rod strap, then slide the other end of the spring clip over the horizontal rod. See diagram for visual. Hint - Be sure to move the ball rod up and down a few times to make sure the drain stopper opens and closes before going to the next step.

Insert the lift rod through the pop-up hole on the faucet. Underneath the sink insert the lift rod through the lift rod strap. Tighten the thumb screw on the lift strap.

Please Note: Be sure to ensure there is enough room to lift the lift rod up and down to open and close the pop-up drain.



Parts Diagram / List



| No. | Part Name |
|-----|----------------------|
| 1 | Handle |
| 2 | Screw |
| 3 | Index |
| 4 | Handle flange |
| 5 | O-ring |
| 6 | Lock nut |
| 7 | O-ring |
| 8 | Adapter |
| 9 | Water valve assembly |
| 10 | Gasket assembly |
| 11 | Lock nut |
| 12 | Screw |
| 13 | Clamp spring |
| 14 | Spout |
| 15 | Washer |
| 16 | Aerator |
| 17 | Aerator collar |
| 18 | Base |
| 19 | Screw |
| 20 | O-ring |
| 21 | Gasket assembly |
| 22 | Lock nut |
| 23 | Flexible hose |
| 24 | Plastic lock ring |
| 25 | Hex wrench |
| 26 | Water supply lines |