

# Installation

## Tools

- Adjustable Wrench(2)
- Teflon Tape
- Groove Joint Plier
- Phillips Screwdriver
- Silicone Sealant
- Basin Wrench

## Maintenance

Your new faucet is designed for years of trouble-free performance. Keep it looking new by cleaning it periodically with a soft cloth. Avoid abrasive cleaners, steel wool and harsh chemicals as these will dull the finish and void your warranty.

## Safety Tips

- If you use soldering for the installation of the faucet, the seats, cartridges and washers will have to be removed before using flame. Otherwise, the warranty will be void on these parts.
- Protect your eyes with safety glass when cutting or soldering water supply lines.
- Cover your drain to avoid losing parts.

## Important Points

Prior to beginning installation, turn off the cold and hot water lines and turn on the old faucet to release built-up pressure. When installing your new faucet, turn the connector nuts finger tight, then use a wrench to anchor the fitting and a second wrench to tighten the nut one additional turn. Connections that are too tight can compromise the integrity of the system. Wrap all threaded connections with a teflon tape. Always wrap in a clockwise direction.

## Need Help

Have a question? Just call (571) 291-3484 or send emails to [customerservice@allorausea.com](mailto:customerservice@allorausea.com)

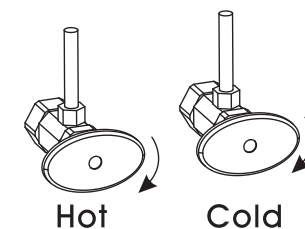
For Models : A-6560

## Two Handles Lavatory Faucet

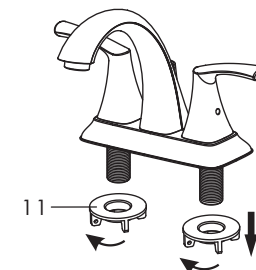


## Preparation/Assembly

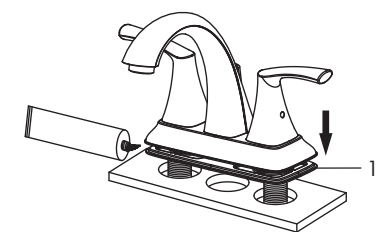
1. Shut off water supply before installation. Remove current faucet and clean and dry the sink surface the new faucet will be installed on.



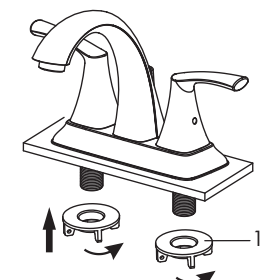
2. Unscrew lock nuts(# 11) from underneath.



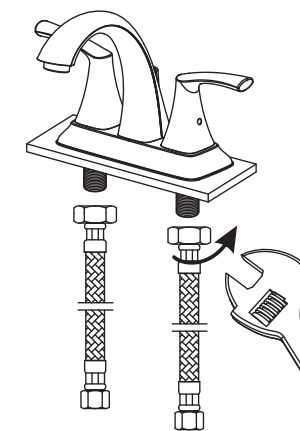
3. Place silicone sealant beneath the gasket (#10) and install faucet lines through the hole . See diagram for visual. (This faucet fits 3cm countertop.)



4. Hand tighten lock nuts (# 11) from underneath, then tighten but do not over tighten. Hint-Easier to do with a second person holding the faucet in place while first person tightens the faucet.



5. Connect the supply lines to the faucet and secure the nuts by adjustable wrench. The hot water supply should go on the left while the cold water supply should go on the right.

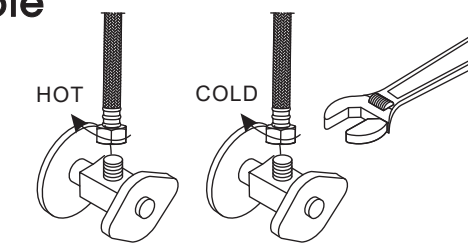


## Preparation/Assembly

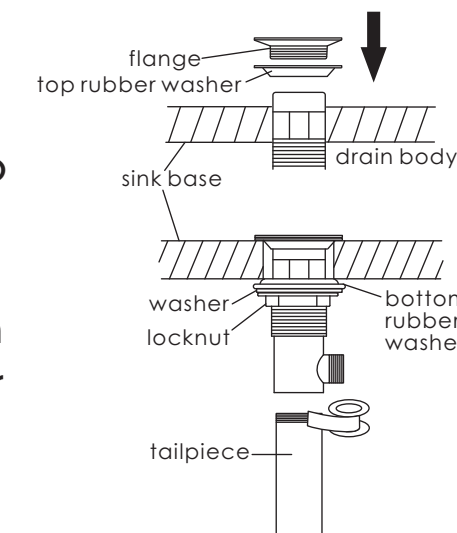
6. Connect the water supply lines to water supply valve (not included), and tighten it with adjustable wrench. **DON'T OVER TIGHTEN!**

**Caution:** make sure connect the hot and cold supply lines to supply valves correctly.

**Warning:** The supply valves are not included, please purchase them in plumbshop.



7. Remove pop-up drain stopper, and flange with top rubber washer for pop-up assembly. Insert drain body from underneath of sink drain hole. Replace flange and top rubber washer back to drain body. Tighten flange as far as possible. Remove and put silicone along bottom of. (Optional) Slide bottom rubber washer on drain body up against bottom of sink. Tighten washer and locknut firmly against base for tight seal. Remove tailpiece from drain body, add teflon tape, replace tailpiece.



Step 1-5

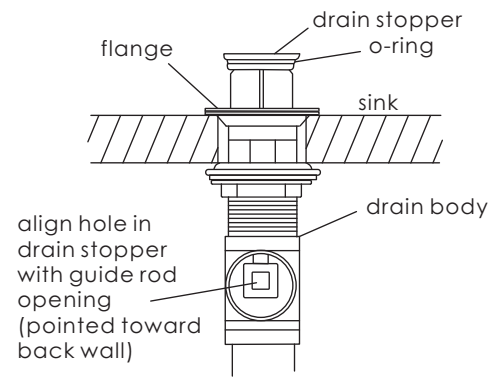
Have a question? Just call (571) 291-3484 or send emails to [customerservice@allorausea.com](mailto:customerservice@allorausea.com)

Step 6-7

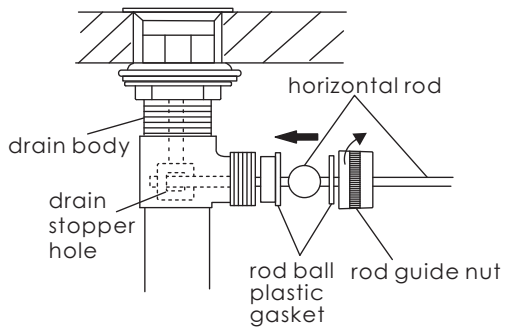
Have a question? Just call (571) 291-3484 or send emails to [customerservice@allorausea.com](mailto:customerservice@allorausea.com)

# Preparation/Assembly

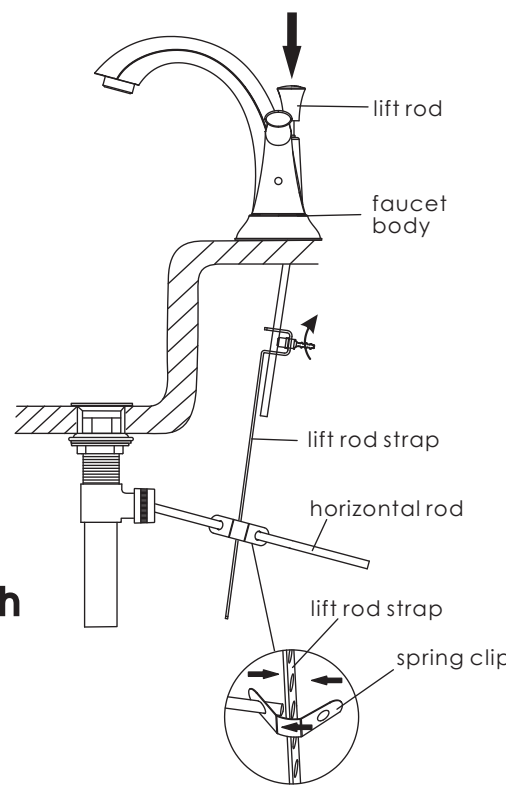
8. Replace pop-up drain stopper to drain body with o-ring in place, and align stopper hole with guide rod opening.



9. Remove rod guide nut and rod ball plastic gasket. Insert horizontal rod into drain body and through hole in drain stopper. Replace rod guide nut with rod ball plastic gasket and tighten it.

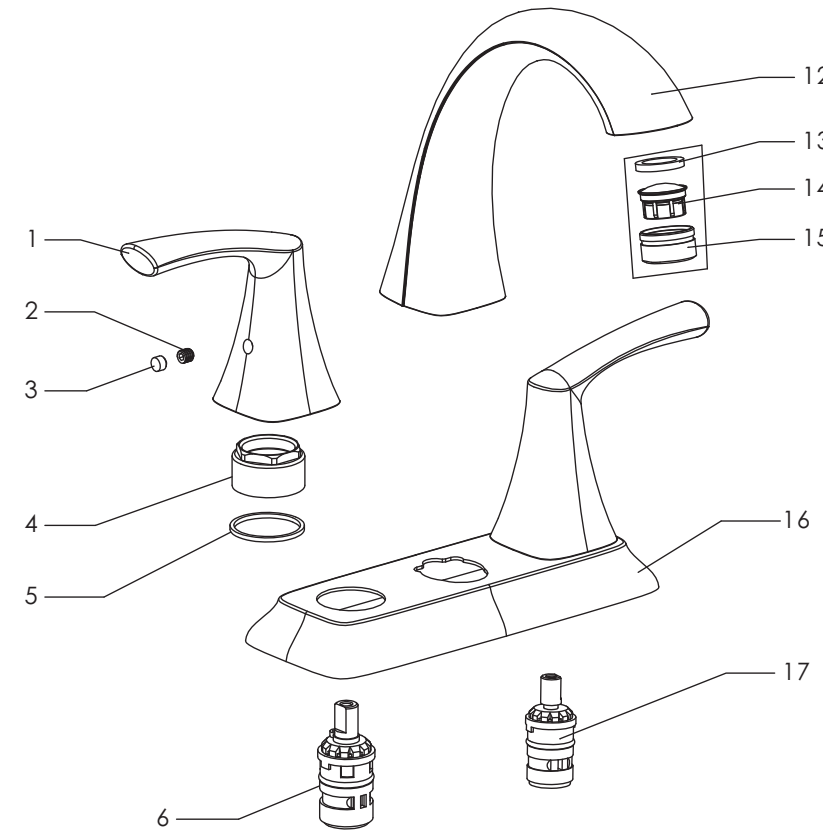


10. Place one end of the spring clip on the end of the horizontal rod. Insert the ball rod through a hole on the lift rod strap, then slide the other end of the spring clip over the horizontal rod. See diagram for visual. Hint - Be sure to move the ball rod up and down a few times to make sure the drain stopper opens and closes before going to the next step.



Insert the lift rod through the pop-up hole on the faucet. Underneath the sink insert the lift rod through the lift rod strap. Tighten the thumb screw on the lift strap. Please Note: Be sure to ensure there is enough room to lift the lift rod up and down to open and close the pop-up drain.

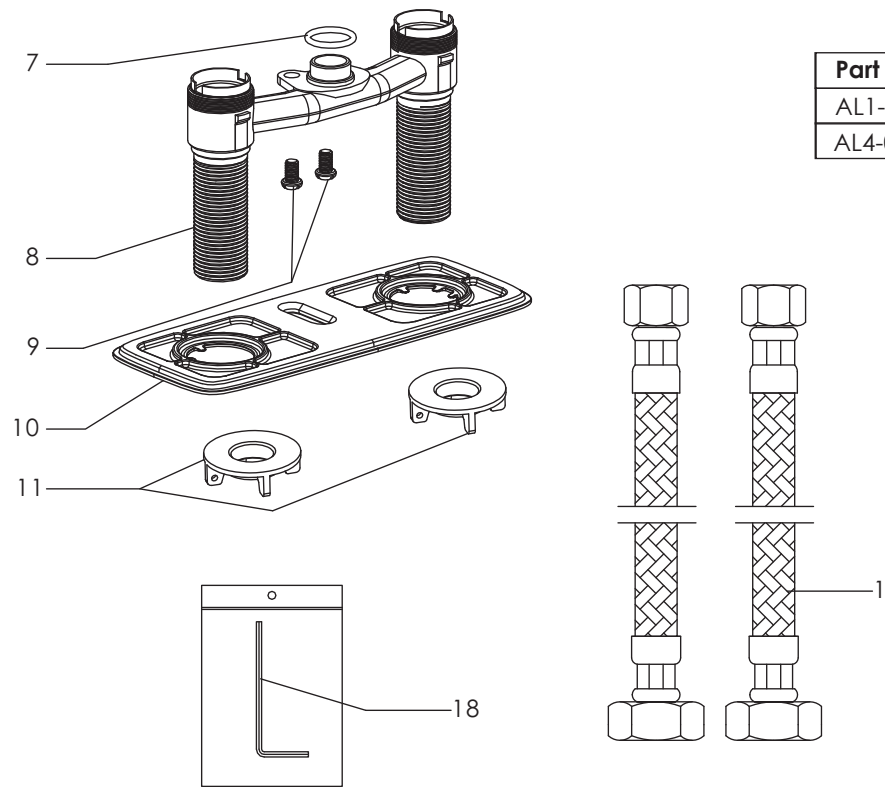
# Parts Diagram / List



No.	Part Name
1	Handle
2	Screw
3	Index
4	Lock nut
5	Washer
6	Cartridge (hot water)
7	O-ring
8	Shank
9	Screw
10	Gasket
11	Lock nut
12	Spout
13	Washer
14	Aerator
15	Aerator collar
16	Plate
17	Cartridge (cold water)
18	Hex wrench
19	Water supply lines

### Replacement Parts

Part No	Name
AL1-02	H/C Cartridge
AL4-09	Aerator



# WARRANTY

www.allorausacom

## FAUCETS

FOR RESIDENTIAL INSTALLATIONS: ALLORAUSA warrants this product to be free from defects in materials or workmanship for as long as the original consumer purchaser owns this product. Proof of purchase (original sales receipt) from the original consumer purchaser must be made available to ALLORAUSA for all warranty claims. This warranty is non transferable. It does not apply in the event of product damage due to the use of other than genuine ALLORAUSA replacement parts, installation error, abuse, misuse or improper care and maintenance (whether performed by a plumber, contractor, service provider or member of the purchaser's household). The warranty excludes damage due to aggressive air or water conditions, or harsh or abrasive cleaners and/or materials. ANY PART OR PRODUCT REPAIRED OR ALTERED IN ANY MANNER WITHOUT WRITTEN AUTHORIZATION FROM ALLORAUSA WILL VOID THE WARRANTY. YOU MUST HAVE THE FAUCET BOX. FOR COMMERCIAL INSTALLATIONS: For all industrial, commercial and business usage the warranty period is five years, from date of purchase and except for duration, all other aforementioned warranty terms apply. For both Residential and Commercial warranties, batteries are not included in the warranty.

ALLORAUSA will provide free of charge, at it's sole option, replacement part(s) or product (or if no longer available, a comparable product) to replace those which have proven defective in materials or workmanship. The warranty does not cover shipping cost of parts. This warranty does not cover labor charges incurred and/or damage sustained in installation, repair or replacement, nor incidental or consequential damages. This warranty is applicable only to ALLORAUSA faucets manufactured after June 1, 1996 and installed in the United States, Mexico and/or Canada.

**THIS WARRANTY IS EXCLUSIVELY IN LIEU OF ALL OTHER WARRANTIES, INCLUDING ANY IMPLIED WARRANTIES OF MERCHANTABILITY OR FITNESS FOR A PARTICULAR PURPOSE.**

This warranty gives the original consumer purchaser of an ALLORAUSA faucet specific legal rights which may vary from state to state or from province to province. In some states or provinces the exclusion or limitation of incidental or consequential damages is not allowed, so those exclusions may not apply to you.