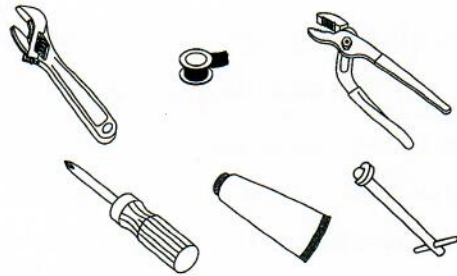


Installation

Tools

- Adjustable Wrench (2)
- Teflon Tape
- Groove Joint Plier
- Phillips Screwdriver
- Silicone Sealant
- Basin Wrench



For Models : A-6560-BN

Two Handles Lavatory Faucet

Maintenance

Your new faucet is designed for years of trouble-free performance. Keep it looking new by cleaning it periodically with a soft cloth. Avoid abrasive cleaners, steel wool and harsh chemicals as these will dull the finish and void your warranty.

Safety Tips

- If you use soldering for the installation of the faucet, the seats, cartridges and washers will have to be removed before using flame. Otherwise, the warranty will be void on these parts.
- Protect your eyes with safety glass when cutting or soldering water supply lines.
- Cover your drain to avoid losing parts.



Important Points

Prior to beginning installation, turn off the cold and hot water lines and turn on the old faucet to release built-up pressure. When installing your new faucet, turn the connector nuts finger tight, then use a wrench to anchor the fitting and a second wrench to tighten the nut one additional turn. Connections that are too tight can compromise the integrity of the system. Wrap all threaded connections with a teflon tape. Always wrap in a clockwise direction.

Need Help



ALLORAUSA

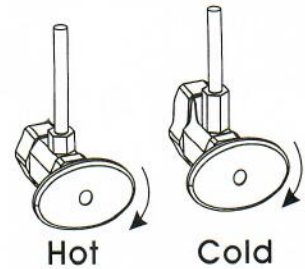
QUALITY FOR LIFE

(888) MY-ALLORA

www.ALLORAUSA.com

Preparation/Assembly

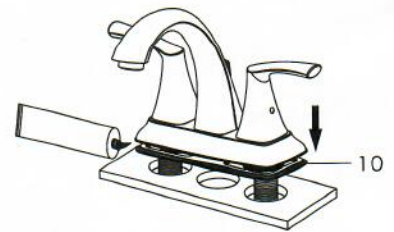
1. Shut off water supply before installation. Remove current faucet and clean and dry the sink surface the new faucet will be installed on.



2. Unscrew lock nuts (#11) from underneath.



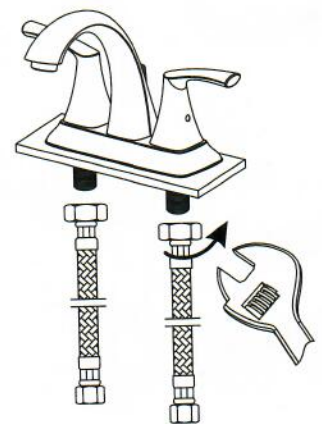
3. Place silicone sealant beneath the gasket (#10) and install faucet lines through the hole. See diagram for visual. (This faucet fits 3cm countertop.)



4. Hand tighten lock nuts (#11) from underneath, then tighten but do not over tighten. Hint-Easier to do with a second person holding the faucet in place while first person tightens the faucet.



5. Connect the supply lines to the faucet and secure the nuts by adjustable wrench. The hot water supply should go on the left while the cold water supply should go on the right.

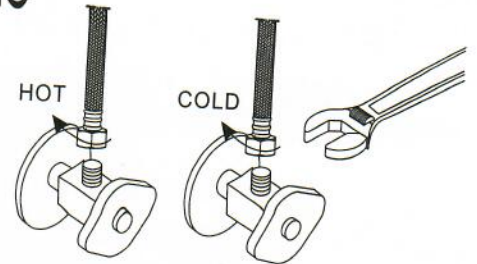


Preparation/Assembly

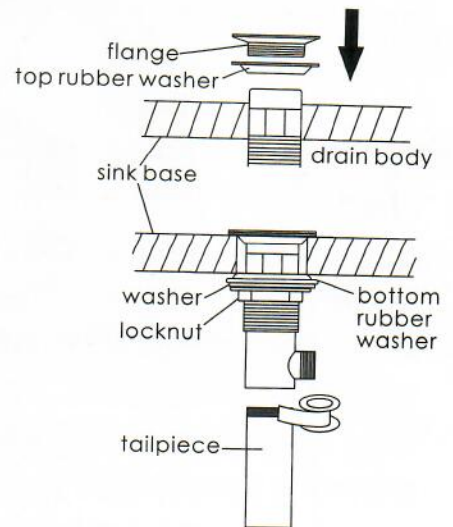
6. Connect the water supply lines to water supply valve (not included), and tighten it with adjustable wrench. **DON'T OVER TIGHTEN!**

Caution: make sure connect the hot and cold supply lines to supply valves correctly.

Warning: The supply valves are not included, please purchase them in plumbshop.

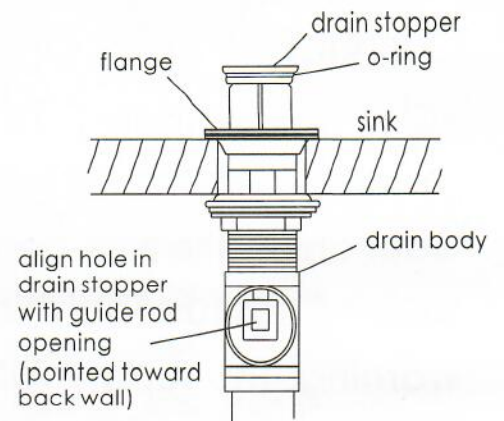


7. Remove pop-up drain stopper, and flange with top rubber washer for pop-up assembly. Insert drain body from underneath of sink drain hole. Replace flange and top rubber washer back to drain body. Tighten flange as far as possible. Remove and put silicone along bottom of. (Optional) Slide bottom rubber washer on drain body up against bottom of sink. Tighten washer and locknut firmly against base for tight seal. Remove tailpiece from drain body, add teflon tape, replace tailpiece.

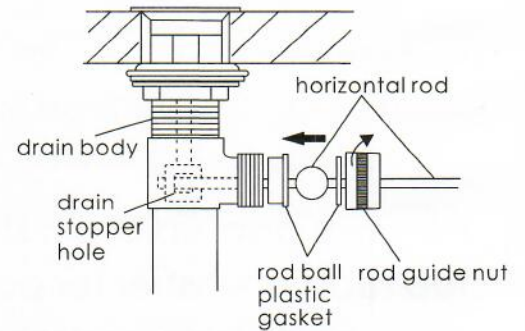


Preparation/Assembly

8. Replace pop-up drain stopper to drain body with o-ring in place, and align stopper hole with guide rod opening.



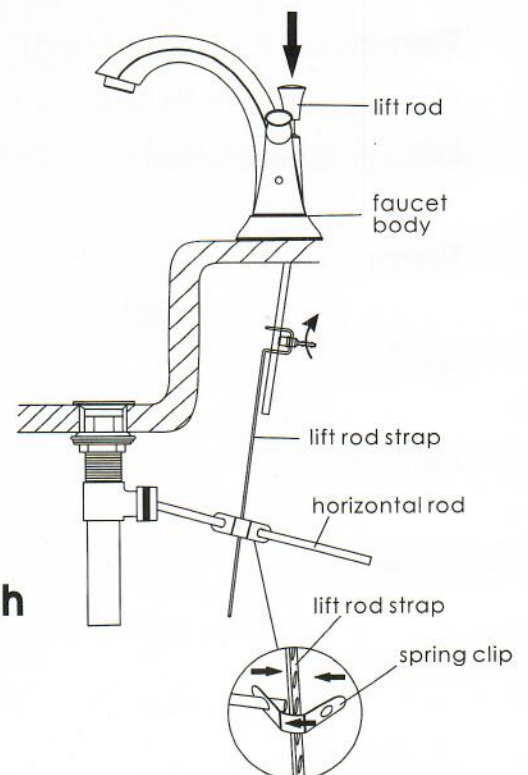
9. Remove rod guide nut and rod ball plastic gasket. Insert horizontal rod into drain body and through hole in drain stopper. Replace rod guide nut with rod ball plastic gasket and tighten it.



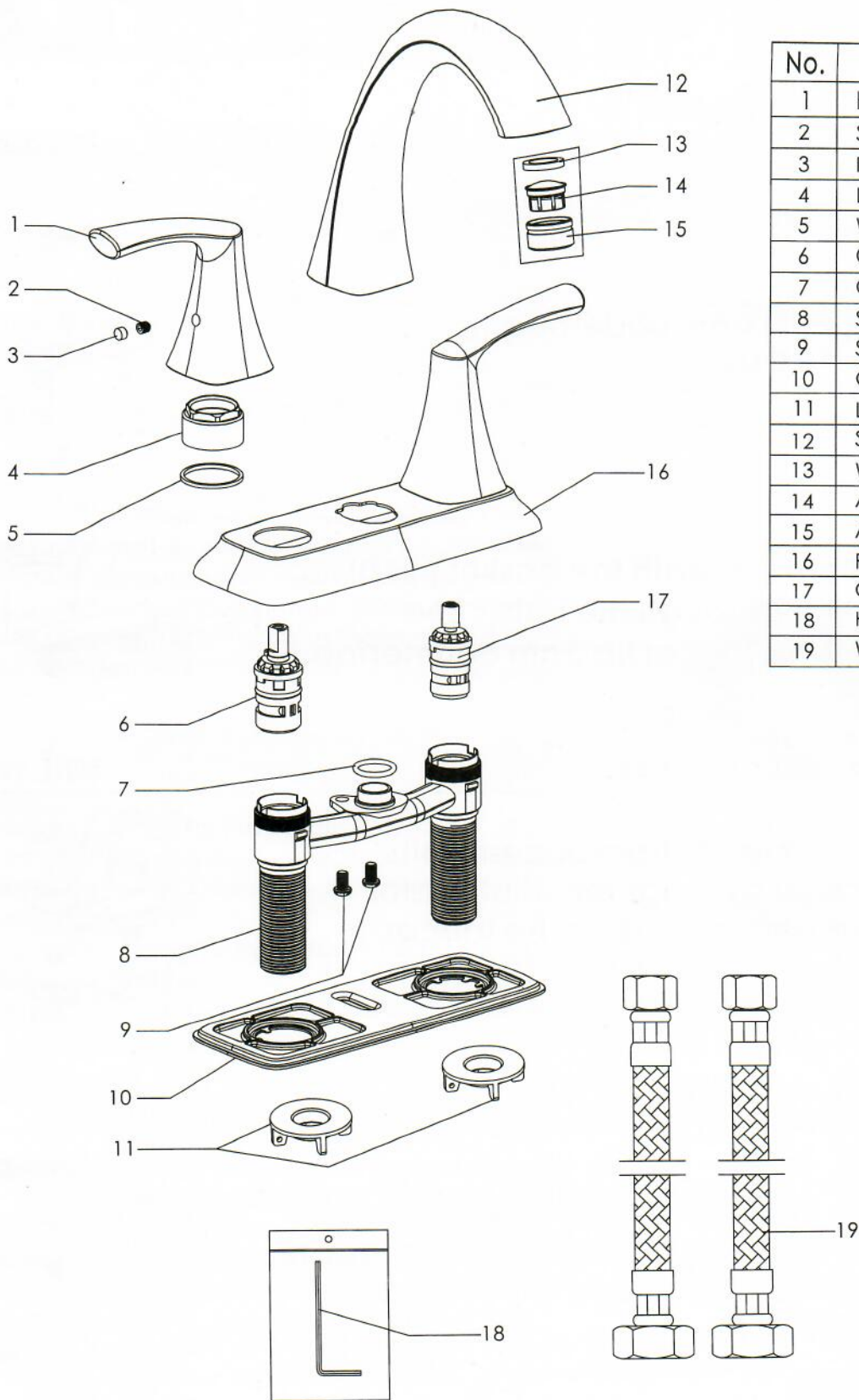
10. Place one end of the spring clip on the end of the horizontal rod. Insert the ball rod through a hole on the lift rod strap, then slide the other end of the spring clip over the horizontal rod. See diagram for visual. **Hint - Be sure to move the ball rod up and down a few times to make sure the drain stopper opens and closes before going to the next step.**

Insert the lift rod through the pop-up hole on the faucet. Underneath the sink insert the lift rod through the lift rod strap. Tighten the thumb screw on the lift strap.

Please Note: Be sure to ensure there is enough room to lift the lift rod up and down to open and close the pop-up drain.



Parts Diagram / List



No.	Part Name
1	Handle
2	Screw
3	Index
4	Lock nut
5	Washer
6	Cartridge(hot water)
7	O-ring
8	Shank
9	Screw
10	Gasket
11	Lock nut
12	Spout
13	Washer
14	Aerator
15	Aerator collar
16	Plate
17	Cartridge(cold water)
18	Hex wrench
19	Water supply lines