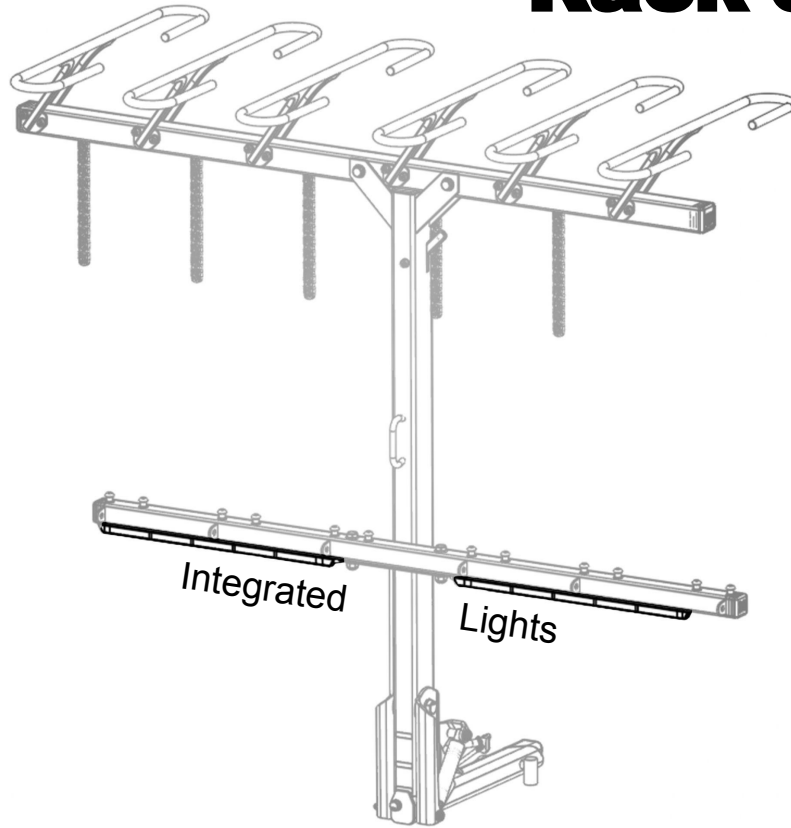


VelociRAX

Rack'em Fast

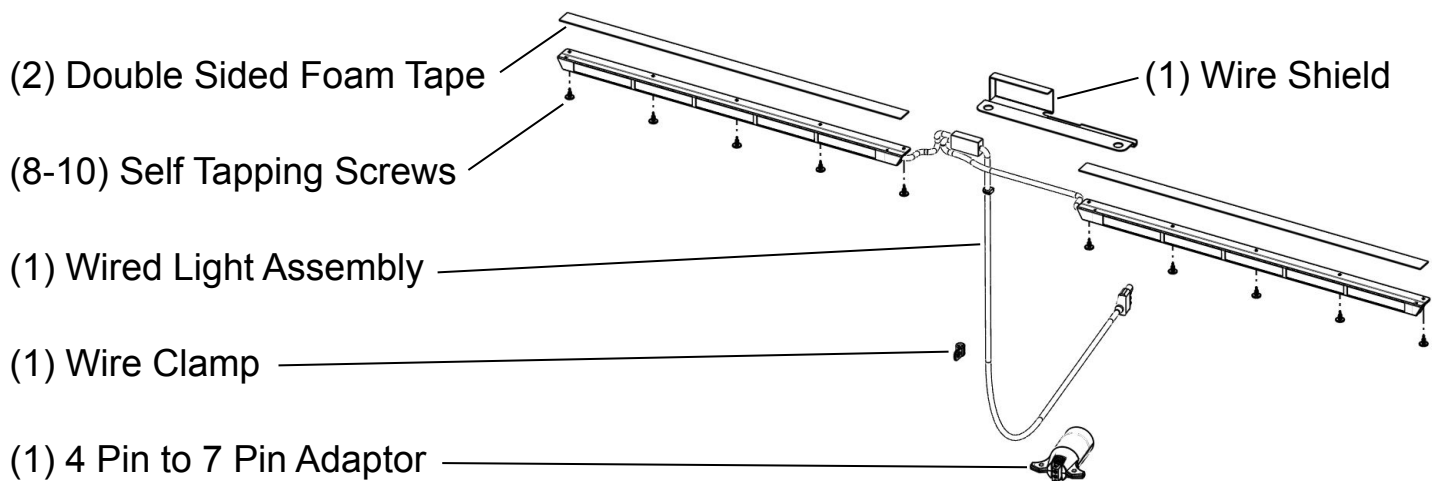


Latest instructions
and videos:

[www.velocirax.com/
pages/assembly](http://www.velocirax.com/pages/assembly)

VelociRAX Light Instruction Manual

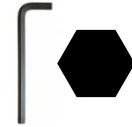
PACKAGE CONTENTS



TOOLS REQUIRED FOR ASSEMBLY



- Safety Glasses



- 5 mm Allen



- Drill with #2 Phillips Tip Screwdriver



- Wrench or socket
13, 18 & 19 mm

Alternate

- 1 X

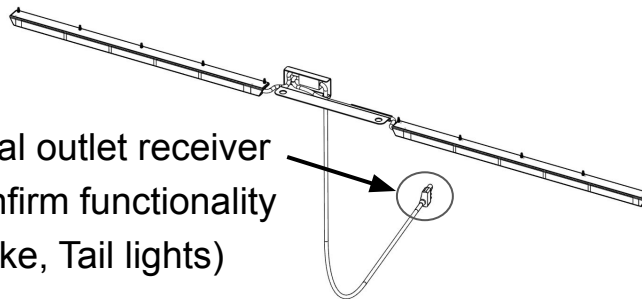


ASSEMBLY INSTRUCTIONS

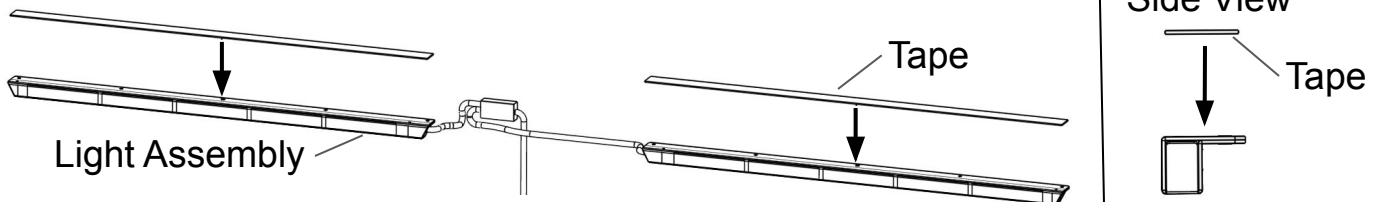
Latest instructions and videos: www.velocirax.com/pages/assembly

1. Test Light Assembly

Plug into hitch electrical outlet receiver on the vehicle and confirm functionality (Left/Right Signal, Brake, Tail lights)

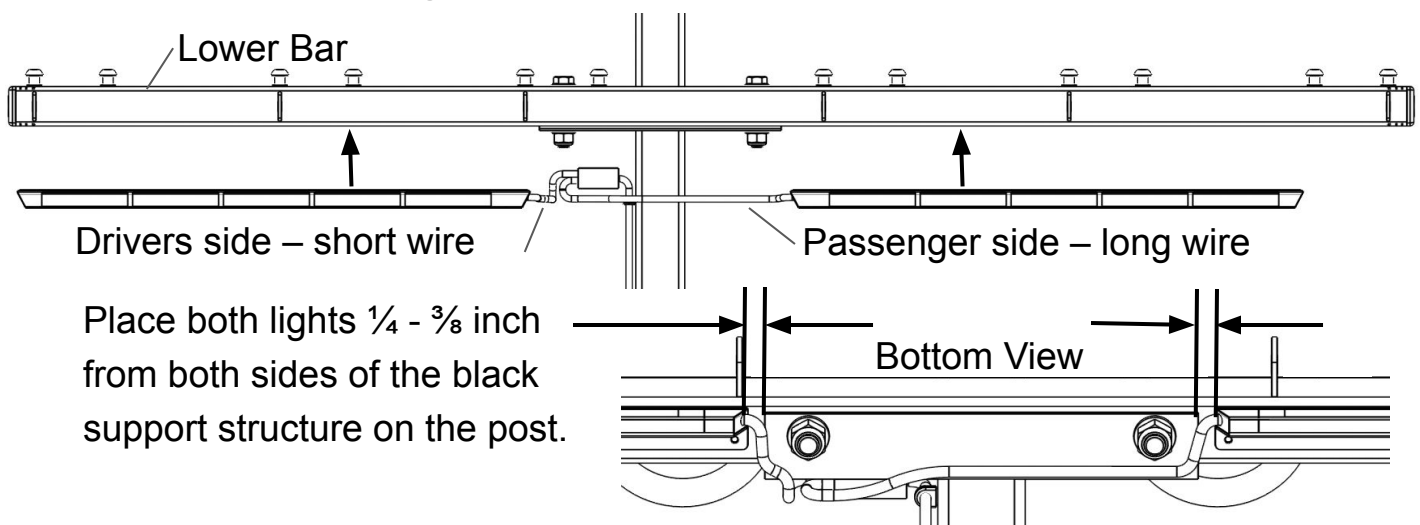


2. Peel and Stick Foam Tape to Both Light Assemblies



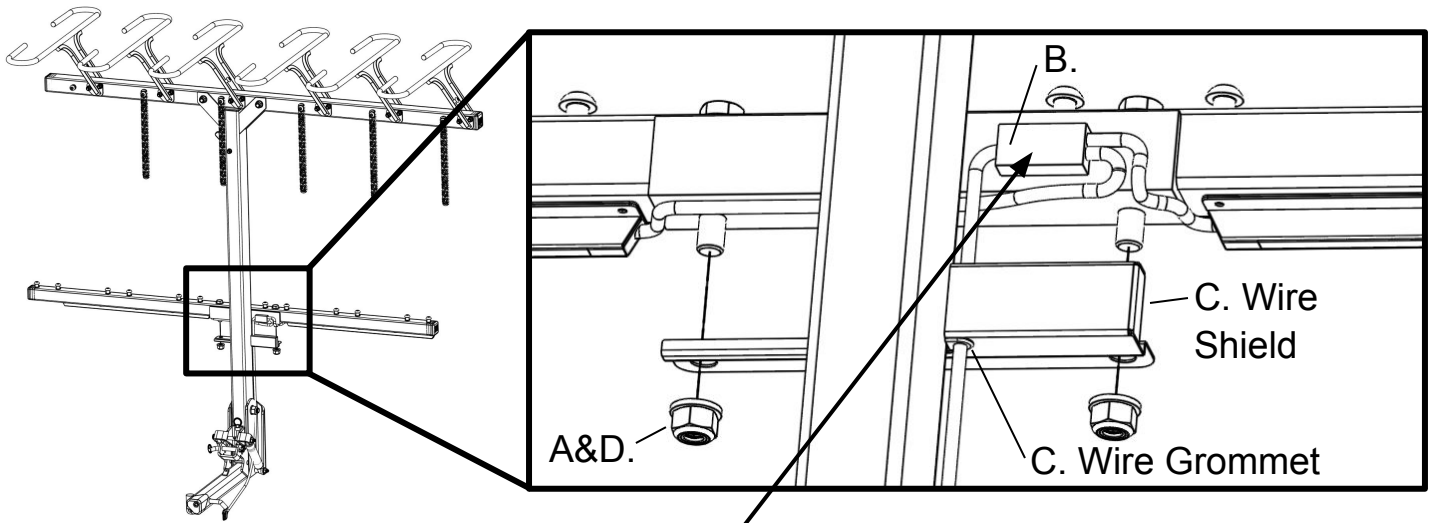
Note: Tape will cover the full surface including the screw holes on the light assembly

3. Peel and Stick Both Lights Assemblies to the Bottom of the Lower Bar




ASSEMBLY INSTRUCTIONS - CONTINUED

4. Mount Wire Shield



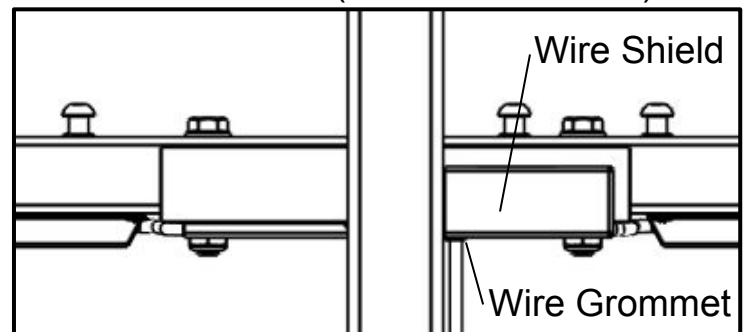
A. Remove 2 nuts securing the lower bar
(Do not remove the lower bar)

 19 & 18 mm


B. Route wires as shown above

C. Ensure **wire grommet** and wire shield is in place and **no wires are pinched**

After Installed (View from Vehicle)



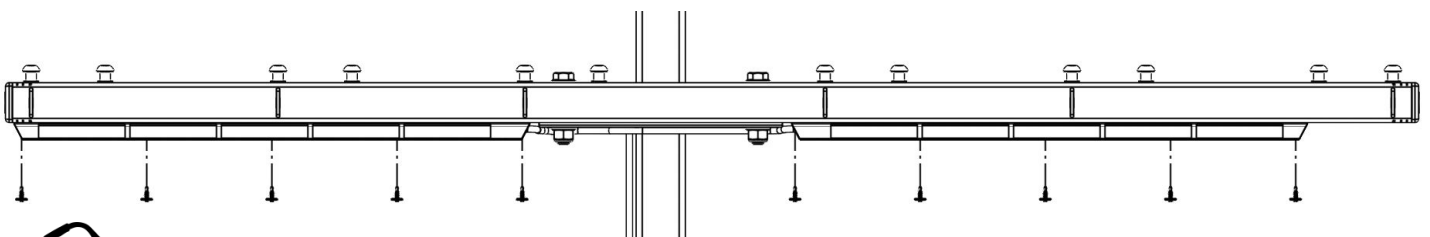
D. Re-tighten both bolts to secure lower bar and wire shield **making sure wires are not pinched**

 19 & 18 mm (7 ft-lbs)



Over tightening can deform crossbar

5. Screw Lights to Lower Bar with Self Tapping Screws



• Safety Glasses



• Drill with #2 Phillips Tip Screwdriver



Wear eye protection

(Screw count varies based on light bar size)

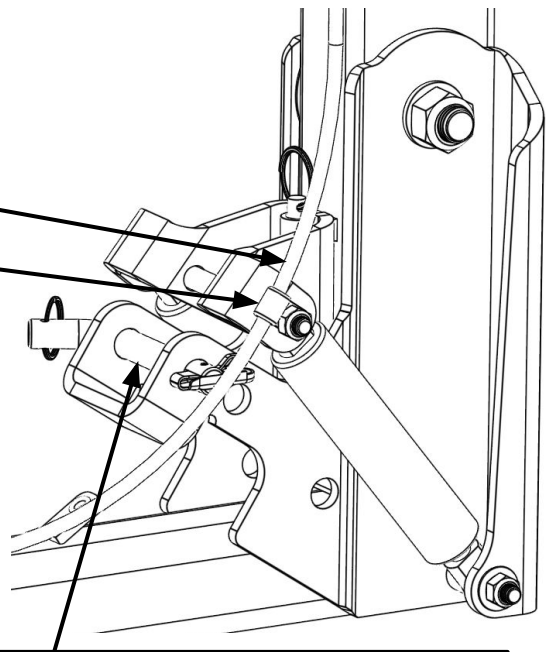
ASSEMBLY INSTRUCTIONS - CONTINUED

6. Route Wire As Desired


Secure wire with cable clamp



Wire



Remove nut, insert cable into clamp, slide cable clamp on bolt, replace washer and nut

 13 mm  5 mm
(6 ft-lbs)



Do NOT route wire under stop pin. This will result in wire damage when hinging the rack.

TIPS

Secure wire loosely to ensure rack can still be placed into garage mode
Take care when moving the rack to ensure the wire doesn't get damaged



Wire routing below the stop pin will result in wire damage when hinging the rack

WARRANTY INFORMATION

2 Year Limited Warranty for defects in materials and/or workmanship for the original retail purchaser. This warranty does not cover normal wear and tear, scratches, accidents, misuse, or overloading.

CONTACT INFORMATION

VELOCIRAX

Email: support@velocirax.com

Web address: www.VelociRAX.com

Phone: 435.344.4446