



# STAR

QUALITY SWINGSETS



PREMIUM  
VINYL  
SWING SETS



# About Us

For more than a decade, we have been handcrafting quality vinyl swingsets in Lancaster County, PA. Our family owned and operated business is fully committed to creating safe and durable swingsets for your children or grandchildren.

When you are looking for a playset for your child the last thing you need to worry about is safety. That's why at Star Quality we focus on safety. No exposed wood, which means no splinters, ever. Our rounded vinyl caps leave no dangerous sharp edges exposed. Non slip grip tape provides added traction on steps when entering the towers. Smooth, slip resistant vinyl is the only thing your child needs to come in contact with.

When it comes to durability, we believe in putting our money where our mouth is. That's why all our playsets have a no quibble, 20 year warranty. We believe in our product. That's why we guarantee you will too! See our warranty page for full details. Questions? Check out our FAQ's on page 5!

What are you waiting for? Shop our various playset models or start customizing your child's dream swingset today!

**Follow us for custom builds  
and tips!**





# STAR

QUALITY SWINGSETS



## *Table of Contents*

4	The Best Value In Outdoor Play
5	FAQ
6	How This Works
7	Star II
8	Star I
9	Star Cluster
10	Star Explorer
11	Shooting Star Climber
12	Silver Star
13	Solar
14	Starlight
15	Bright Star
16	Wishing Star
17	Stardust
18	Galaxy
19	Starburst
20	Comet
21	Galaxy Explorer
22	Moon Walk
23	Nebula
24	Playstation
25	Star Gazer
26	Orion's Hideout
27	Galaxy Star
28	Super Star
29	Space Shuttle
30	Lucky Star
32	Orbit Nebula Climber
33	Milky Way Climber
34	Free Standing Options
35	Options
46	Behind the Scenes
47	Photo Gallery



# THE BEST VALUE

## in Outdoor Playground Equipment



### WE DELIVER AND INSTALL

Our trained crews will deliver and install your new swingset in your backyard. That means no more wasted weekends for you.



### POLY CONSTRUCTION

Produced with plastic lumber made from high density polyethylene which would normally be disposed in our landfills.



### 8 DIFFERENT COLOR COMBOS

Available in colors that will blend into any backyard.



### MAINTENANCE FREE

Our swingsets will not rust, rot or fall apart from wear. Poly and vinyl does not require staining or painting and are built to withstand harsh weather.



### STAINLESS STEEL FASTENERS

We use high-quality stainless steel fasteners on all our swingsets, which are proven to be much more resistant to corrosion.



### QUALITY ASSURANCE

All our swingsets are made using only the highest quality materials, allowing us to stand behind our products knowing it will serve you well for years to come.





# FAQ



## Why is a vinyl swingset so much better than a traditional wood swingset?

By covering the wooden structural elements of the swingset, it keeps the stability without the maintenance. No one wants to restrain or repaint a swingset every year. Covering the wood also eliminates splinters. It also preserves the wood, helping our swingsets last for many fun-filled years.

## What if my yard is not completely flat?

We can install on small slopes, however, we need to dig down/block up the tower to get it level.

## How hard is it to maintain a vinyl swingset?

We love this question! Maintenance is all but unneeded. From time to time, as any outdoor toys do, your swingset will become dirty. Just use a simple cleaner and a soft bristled brush or gently powerwash the swingset.

## Does the swingset get anchored into the ground?

The tower of the swingset is very heavy and does not require anchoring. We do use heavy duty spikes to anchor the ends of our swing beams to the ground.

## Does it cost extra to customize?

No. The cost only changes as you add or take away components.

## Can I pick my own colors?

Yes, you can mix and match colors as you choose.

## Do your swingsets have any sharp edges?

No, to assure safety, all sharp edges are covered with a smooth rounded cap.

## Do you have a warranty?

Of course! Swingsets of this caliber carry a hefty warranty! We offer a 20 year warranty on our craftsmanship, while all of the accessories like slides, swings and roofs are covered by a 5 year warranty. Please visit our website to learn more about our industry leading warranties!



# How This Works



## 1. Get Acquainted!

Find the dimensions of your space, and get to know all of our options.

## 2. Dream and Design!

Tweak one of our standard models to your specs, or design your own from the ground up. Use our online design center to bring your dreams to reality!



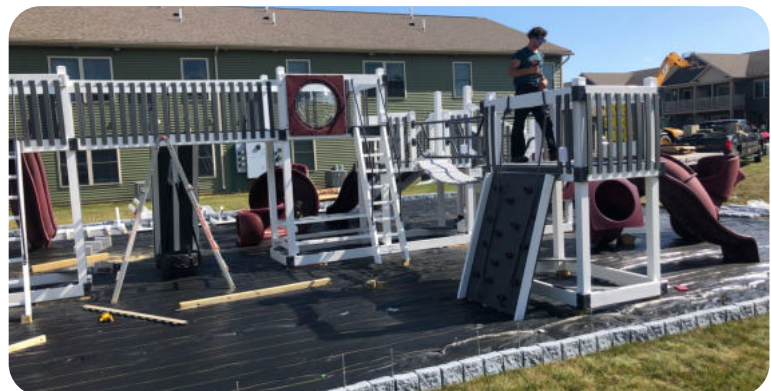
## 3. Quote and Ordering!

Contact your local dealer for a customized quote on your masterpiece!



## 4. Delivery and Installation!

We will schedule a day for install. Most sets take 1 to 3 hours to install, then it's playtime!

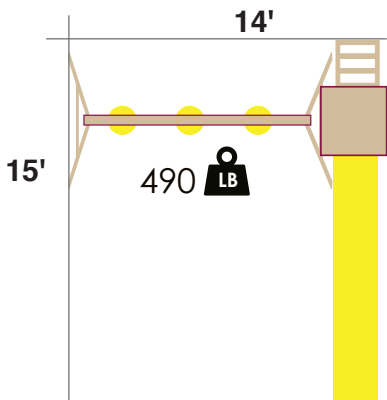




# Star II

Vinyl Color: Tan  
Trim Color: Red  
Tower: 2x2  
Deck Height: 5'

Climbers: Entrance Ladder  
Slides: 10' Wonder Wave  
Swing Beam: 3 Position Single  
Swings: (2) Belt Swings, Trapeze  
Add-Ons: Steering Wheel



Border Needed:  
24 pcs.  
Rubber Mulch Needed:  
2 Tons  
Total Space Needed:  
24' L x 24' W



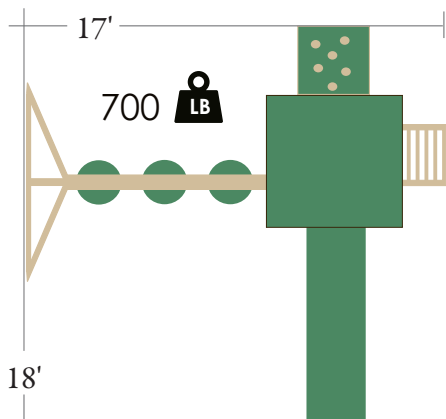




# Star C

Vinyl Color: Tan  
 Trim Color: Green  
 Tower: 4x4  
 Deck Height: 5'

Climbers: 5' Entrance Ladder, 5' Rockwall  
 Slides: 10' Wonder Wave  
 Swing Beam: 3 Position Single  
 Swings: (2) Belt Swings, Trapeze



Border Needed:  
 26 pcs.  
 Rubber Mulch Needed:  
 2.25 Tons  
 Total Space Needed:  
 24' L x 28' W



Don't need a sandbox? A second deck underneath the tower is a great option!

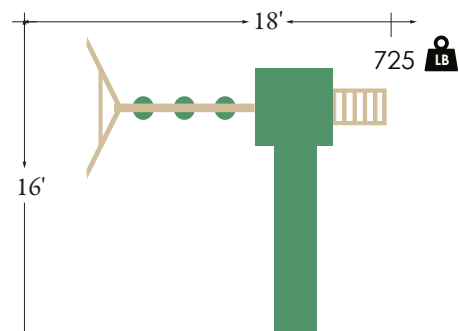




# Star Cluster

Vinyl Color: White  
 Trim Color: Green  
 Tower: 4x4  
 Deck Height: 5'  
 Roof: 4x4 Vinyl

Climbers: 5' Entrance Ladder  
 Slides: 10' Wonder Wave  
 Swing Beam: 3 Position Single  
 Swings: (2) Belt Swings, Highback  
 Baby Swing



Border Needed:  
 26 pcs.  
 Rubber Mulch Needed:  
 2.25 Tons  
 Total Space Needed:  
 24' W x 32' L



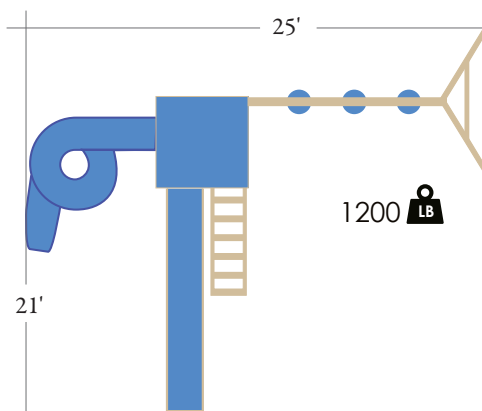
Adding a rockwall to the back of this set is a popular choice!



# Star Explorer

Vinyl Color: White  
Trim Color: Gray  
Tower: 5x5  
Deck Height: 5'  
Roof: 5x5 Vinyl  
Climbers: Stairs with metal handrails

Slides: 10' Wonder Wave, 7' Spiral w/ Step and Slide Adapter  
Swing Beam: 3 Position Single  
Swings: Belt Swing, Trapeze, Safe-T-Glider with 4 Chain Adapter



Border Needed:  
26 pcs.  
Rubber Mulch Needed:  
2.5 Tons  
Total Space Needed:  
28' W x 24' L



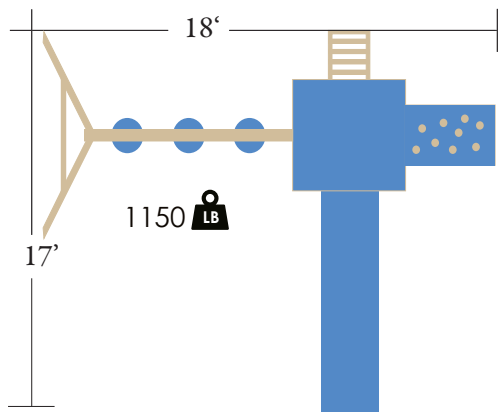




# Shooting Star Climber

Vinyl Color: White  
 Trim Color: Blue  
 Tower: 5x5  
 Deck Height: 5'  
 Roof: 5x5 Pyramid

Climbers: 5' Entrance Ladder, 5' Rockwall  
 Slides: 10' Wonder Wave  
 Swing Beams: 3 Position Monkey Bar  
 Swings: (2) Belt Swings, Trapeze  
 Add-Ons: Steering Wheel, Binoculars



Border Needed:  
 24 pcs  
 Rubber Mulch Needed:  
 2 Tons  
 Total Space Needed:  
 24' W x 24' L



Do you want more slides? Add a 5' Spiral slide instead of the rockwall.

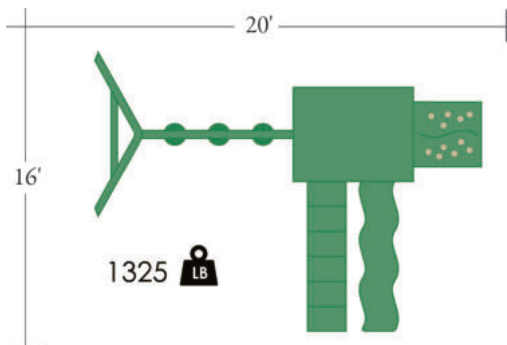




# Silver Star

**Vinyl Color:** Tan  
**Trim Color:** Blue  
**Tower Size:** 4x6  
**Deck Height:** 5'  
**Roof:** 4x6 Vinyl  
**Climbers:** 12' Ramp with Rope, 5' Rockwall

**Slides:** 10' Wonder Wave  
**Swing Beams:** 3 Position Single  
**Swings:** (2) Belt Swings, Highback Baby Swing  
**Add-Ons:** Binoculars, Steering Wheel



**Border Needed:**  
 26 pcs.  
**Rubber Mulch Needed:**  
 2.25 Tons  
**Total Space Needed:**  
 24' W x 28' L



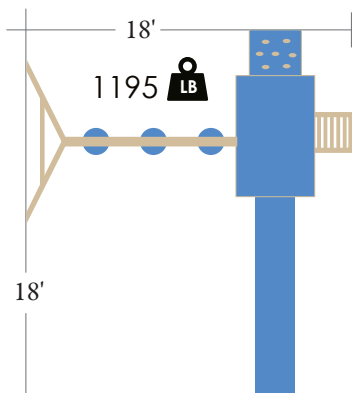
Don't forget your fun add-ons!



# Solar

Vinyl Color: White  
Trim Color: Blue  
Tower Size: 4x6  
Deck Height: 5'  
Roof: 4x6 Vinyl

Climbers: 5' Entrance Ladder,  
5' Rockwall  
Slides: 10' Wonder Wave  
Swing Beam: 3 Position Single  
Swings: (2) Belt Swings, Baby Swing



Border Needed:  
26 pcs.  
Rubber Mulch Needed:  
2.25 Tons  
Total Spcee Needed:  
24' W x 28' L



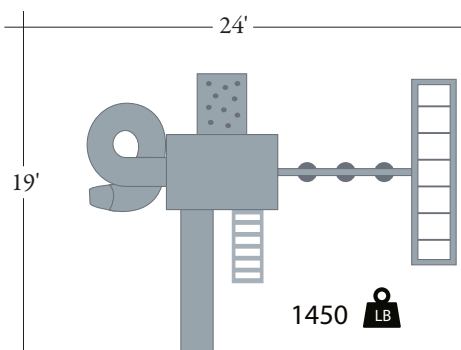




# Star Light

**Vinyl Color:** White  
**Trim Color:** Gray  
**Tower Size:** 4x6  
**Deck Height:** 6'  
**Roof:** 4x6 Vinyl  
**Climbers:** 6' Entrance Ladder,  
 6' Rockwall

**Slides:** 12' Avalanche, 6' Spiral  
**Swing Beams:** 3 Position Single  
 (extra high), Yardsaver Climber Unit  
**Swings:** (2) Belt Swings, Baby Swing,  
 Highback Baby Swing  
**Add-Ons:** Ground Level Decking



**Border Needed:**  
 30 pcs.  
**Rubber Mulch Needed:**  
 3 Tons  
**Total Space Needed:**  
 32' W x 28' L



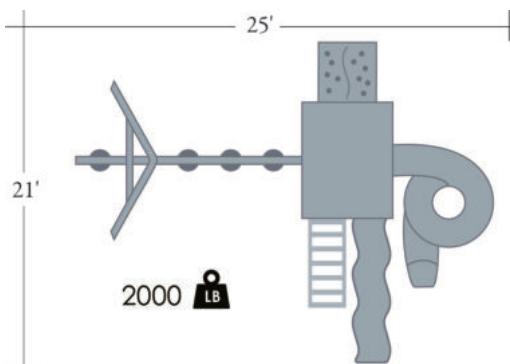




# Bright Star

**Vinyl Color:** White  
**Trim Color:** Gray  
**Tower Size:** 6x8  
**Deck Height:** 5'  
**Roof:** 6x6 Vinyl  
**Climbers:** 5' Stairs with Poly Handrails, 5' Rockwall

**Slides:** 10' Wonder Wave, 5' Spiral  
**Swing Beam:** 4 Position Single  
**Swings:** (2) Belt Swings, Highback Baby Swing, Safe-T-Glider w/ 4 Chain Adapter Tire Swing (under tower)  
**Add-Ons:** Binoculars, Megaphone, Tic-tac-toe



**Border Needed:**  
 30 pcs.  
**Rubber Mulch Needed:**  
 3 Tons  
**Total Space Needed:**  
 32' W x 28' L

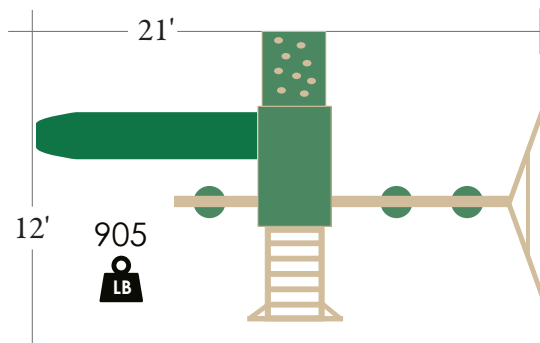




# Wishing Star

**Vinyl Color:** White  
**Trim Color:** Green  
**Tower Size:** 3x5 A-Frame  
**Deck Height:** 5'  
**Roof:** 3x5 Canopy Roof  
**Climbers:** 5' Entrance Ladder,  
 5' Rockwall

**Slides:** 10' Wonder Wave  
**Swing Beam:** 2 Position Single, 1  
 Position Extension Arm  
**Swings:** (2) Belt Swings, Trapeze  
 Tire Swing (under tower)



**Border Needed:**  
 24 pcs.  
**Rubber Mulch Needed:**  
 2 Tons  
**Total Space Needed:**  
 28' W x 20' L



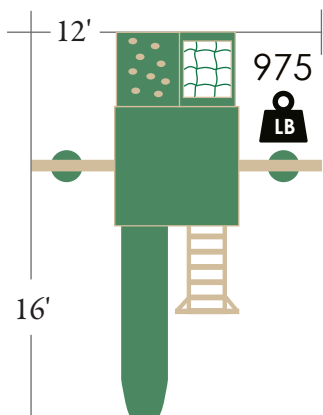




# Stardust

**Vinyl Color:** Tan  
**Trim Color:** Green  
**Tower Size:** 5x5 A-Frame  
**Deck Height:** 5'  
**Roof:** 5x9 Canopy Roof

**Climbers:** 5' Entrance Ladder, 5' Cargo Net, 5' Rockwall  
**Slides:** 10' Wonder Wave  
**Swing Beam:** 2 Side Extension Arm  
**Swings:** Belt Swing, Trapeze, Tire Swing (under tower)



**Border Needed:**  
 20 pcs.  
**Rubber Mulch Needed:**  
 1.5 Tons  
**Total Space Needed:**  
 16' W x 24' L



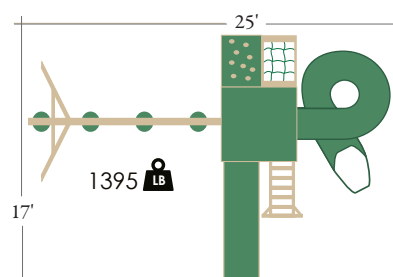




# Galaxy

**Vinyl Color:** Tan  
**Trim Color:** Green  
**Tower Size:** 5x5 A-Frame  
**Deck Height:** 5'  
**Roof:** 5x9 Canopy  
**Climbers:** 5' Entrance Ladder,  
 5' Cargo Net, 5' Rockwall

**Slides:** 10' Wonder Wave, 5' Spiral  
**Swing Beams:** 4 Position Single  
**Swings:** (3) Belt Swings, Trapeze,  
 Tire Swing (under tower)  
**Add-Ons:** Ships Wheel, Binoculars



**Border Needed:**  
 28 pcs.  
**Rubber Mulch Needed:**  
 2.5 Tons  
**Total Space Needed:**  
 32' W x 24' L



The Garden Bench is a great choice for parents and grandparents to sit and watch the fun.

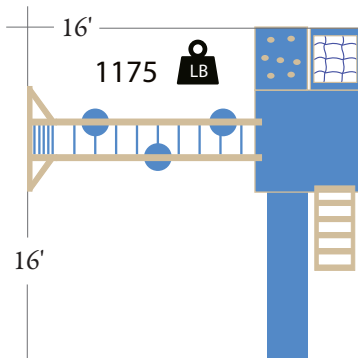




# Star Burst

**Vinyl Color:** White  
**Trim Color:** Blue  
**Tower Size:** 5x5 A-Frame  
**Deck Height:** 5'  
**Roof:** 5x9 Canopy  
**Climbers:** 5' Entrance Ladder,  
 5' Cargo Net, 5' Rockwall

**Slides:** 10' Wonder Wave  
**Swing Beams:** 3 Position Monkey Bars  
**Swings:** Belt Swing, Trapeze, Safe-T-Glider, Tire Swing (under tower)  
**Add-Ons:** Ships Wheel, Telescope



**Border Needed:**  
 24 pcs.  
**Rubber Mulch Needed:**  
 2 Tons  
**Total Space Needed:**  
 24' W x 24' L



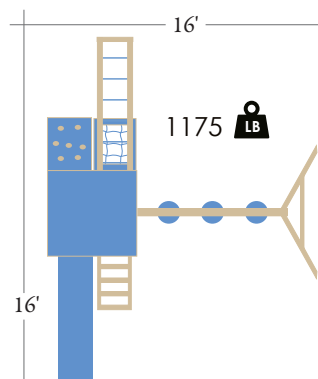




# Comet

**Vinyl Color:** Tan  
**Trim Color:** Blue  
**Tower Size:** 5x5 A-Frame  
**Deck Height:** 5'  
**Roof:** 5x5 Vinyl  
**Climbers:** 5' Entrance Ladder,  
 5' Cargo Net, 5' Rockwall

**Slides:** 10' Wonder Wave  
**Swing Beam:** 3 Position Single,  
 8' Monkey Bars  
**Swings:** (2) Belt Swings, Trapeze  
 Tire Swing (under tower)



**Border Needed:**  
 26 pcs.  
**Rubber Mulch Needed:**  
 2.5 Tons  
**Total Space Needed:**  
 24' W x 31' L

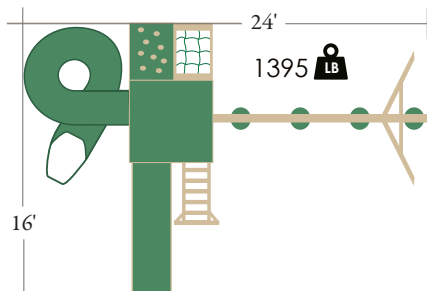




# Galaxy Explorer

**Vinyl Color:** White  
**Trim Color:** Green  
**Tower Size:** 5x5 A-Frame  
**Deck Height:** 5'  
**Roof:** 5x5 Pyramid  
**Climbers:** 5' Entrance Ladder, 5' Cargo Net, 5' Rockwall

**Slides:** 10' Wonder Wave, 7' Spiral w/ Step and Slide Adapter  
**Swing Beam:** 4 Position Single  
**Swings:** Belt Swing, Trapeze, Safe-T-Glider w/ 4 Chain Adapter, Bouy Ball-Trapeze Combo, Tire Swing (under deck)



**Border Needed:**  
 30 pcs.  
**Rubber Mulch Needed:**  
 2.5 Tons  
**Total Space Needed:**  
 32' W x 24' L



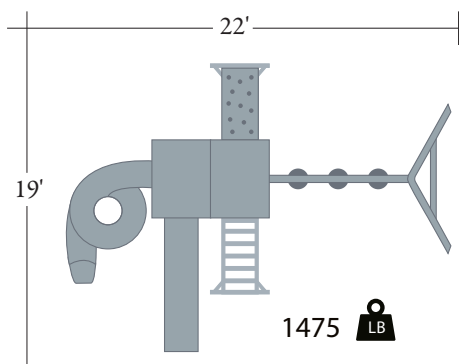




# Moon Walk

**Vinyl Color:** White  
**Trim Color:** Gray  
**Tower Size:** 3x5 A-Frame w/  
 3x5 7' Deck  
**Deck Heights:** 5' and 7'  
**Roofs:** (2) 3x9 Canopy  
**Climbers:** 5' Entrance Ladder,  
 5' Rockwall

**Slides:** 14' Avalanche, 7' Spiral  
**Swing Beam:** 3 Position Single  
**Swings:** Belt Swing, Trapeze,  
 Safe-T-Glider with 4 Chain Adapter,  
 Tire Swing (under deck)



**Border Needed:**  
 28 pcs.  
**Rubber Mulch Needed:**  
 2.75 Tons  
**Total Space Needed:**  
 28' W x 28' L

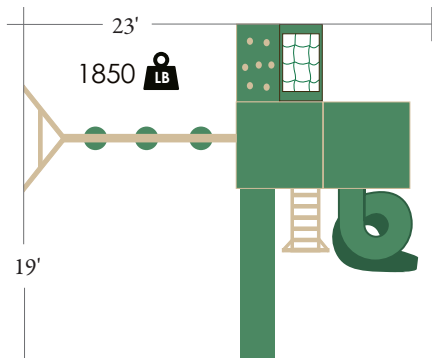




# Nebula

**Vinyl Color:** White  
**Trim Color:** Green  
**Tower Size:** 5x5 A-frame w/  
5x5 7' Deck  
**Deck Heights:** 5' and 7'  
**Roofs:** (2) 5x9 Canopy  
**Climbers:** 5' Entrance Ladder,  
5' Cargo Net, 5' Rockwall

**Slides:** 10' Wonder Wave, 7' Spiral  
**Swing Beam:** 3 Position Single  
**Swings:** (2) Belt Swings, Safe-T-  
Glider with 4 Chain Adapter, Tire  
Swing (under tower)



**Border Needed:**  
28 pcs  
**Rubber Mulch Needed:**  
2.5 Tons  
**Total Space Needed:**  
32' W x 24' L



Add a spot for Mom or Dad underneath  
the 7' high deck on the Nebula!

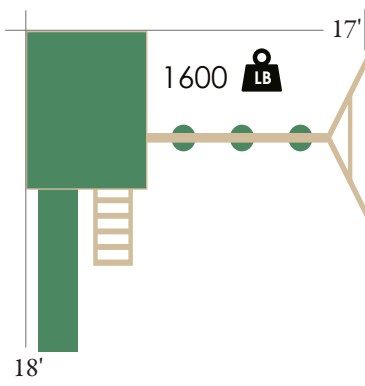




# Play Station

**Vinyl Color:** Tan  
**Trim Color:** Green  
**Tower Size:** 5x8 Playhouse  
**Deck Height:** 5'

**Climbers:** 5' Entrance Ladder  
**Slides:** 10' Wonder Wave  
**Swing Beam:** 3 Position Single  
**Swings:** (2) Belt Swings, Trapeze



**Border Needed:**  
 24 pcs.  
**Rubber Mulch Needed:**  
 2 Tons  
**Total Space Needed:**  
 24' W x 24' L

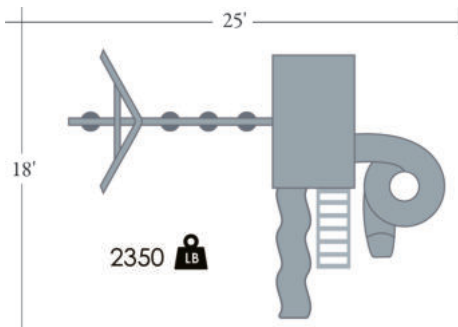




# Star Gazer

**Vinyl Color:** White  
**Trim Color:** Gray  
**Tower Size:** 6x8 Playouse  
**Deck Height:** 5'  
**Climbers:** 5' Stairs with Metal Handrails

**Slides:** 10' Wonder Wave, 5' Spiral  
**Swing Beam:** 4 Position Single  
**Swings:** Belt Swing, Baby Swing, Hammock, Safe-T-Glider w/ 4 Chain Adapter  
**Add-Ons:** Steering Wheel, Telescope



**Border Needed:**  
 28 pcs.  
**Rubber Mulch Needed:**  
 3 Tons  
**Total Space Needed:**  
 32' W x 24' L



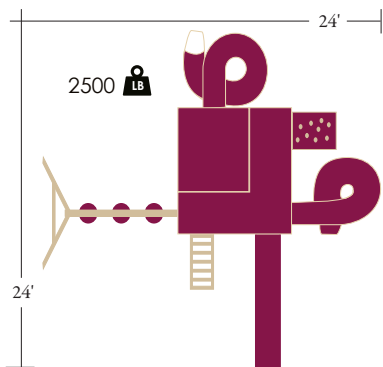




# Orian's Hideout

**Vinyl Color:** Tan  
**Trim Color:** Red  
**Tower Size:** 8x8 Playhouse  
**Deck Height:** 5'  
**Climbers:** 5' Entrance Ladder,  
 5' Rockwall

**Slides:** 10' Wonder Wave, 5' Spiral,  
 7' Turbo  
**Swing Beam:** 3 Position Single  
**Swings:** (2) Belt Swings, Trapeze,  
 Tire Swing (under tower)  
**Add-Ons:** Telescope, Ships Wheel



**Border Needed:**  
 32 pcs.  
**Rubber Mulch Needed:**  
 3.5 Tons  
**Total Space Needed:**  
 32' W x 32' L

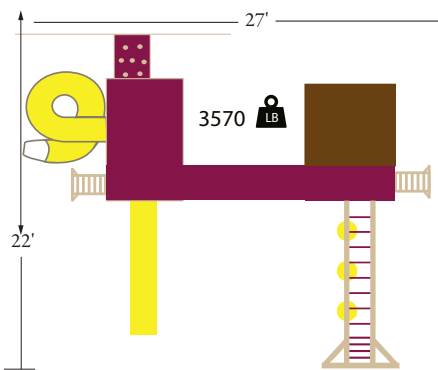




# Galaxy Star

**Vinyl Color:** Tan  
**Trim Color:** Red/Yellow  
**Tower 1 Size:** 5x8 Double  
**Deck Height:** 5' and 7'  
**Roof:** 5x5 Vinyl  
**Tower 2 Size:** 5x8 Playhouse  
**Deck Height:** 5'

**Connector:** 6' 6" Bridge with Rails  
**Climbers:** (2) 5' Entrance Ladders, 7' Rockwall  
**Slides:** 10' Wonder Wave, 7' Spiral  
**Swing Beams:** 3 Position Single  
**Swings:** (2) Belt Swings, Baby Swing  
**Add-Ons:** 5x5 Picnic Table



**Border Needed:**  
 34 pcs.  
**Rubber Mulch Needed:**  
 4 Tons  
**Total Space Needed:**  
 36' W x 32' L



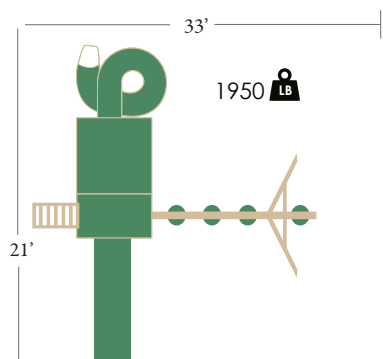




# Super Star

**Vinyl Color:** Tan  
**Trim Color:** Green  
**Tower Size:** 5x8 Double  
**Deck Heights:** 5' and 7'  
**Roof:** 5x5 Pyramid  
**Climbers:** 5' Entrance Ladder

**Slides:** 10' Wonder Wave, 7' Spiral  
**Swing Beam:** 4 Position Monkey Bars  
**Swings:** Belt Swing, Trapeze, Baby Swing, Safe-T-Glider  
**Add-Ons:** Bubble Panel, Binoculars, Steering Wheel



**Border Needed:**  
 30 pcs.  
**Rubber Mulch Needed:**  
 3 Tons  
**Total Space Needed:**  
 28' W x 32' L



Lemonade, anyone? Add a trading post underneath the tower to let the sales begin!

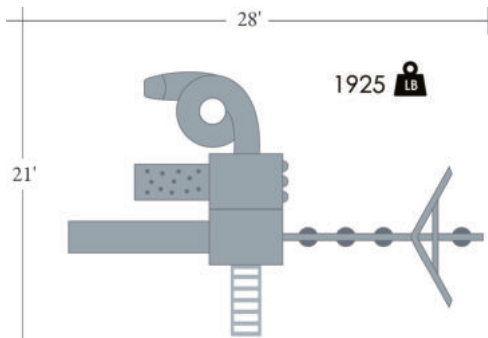




# Space Shuttle

**Vinyl Color:** White  
**Trim Color:** Gray  
**Tower Size:** 4x8 Double  
**Deck Height:** 5' and 7'  
**Roofs:** (2) 4x4 Vinyl  
**Climbers:** Stairs, 7' Rockwall

**Slides:** 10' Wonder Wave, 7' Spiral  
**Swing Beams:** 4 Position Single  
**Swings:** (2) Belt Swings, Trapeze, Safe-T-Glider with 4 Chain Adapter  
**Add-Ons:** Tic-Tac-Toe



**Border Needed:**  
 32 pcs.  
**Rubber Mulch Needed:**  
 3.25 Tons  
**Total Space Needd:**  
 36' W x 28' L







# Lucky Star

**Vinyl Color:** White  
**Trim Color:** Green  
**Tower 1 Size:** 5x5 A-Frame with 5x5 7' Deck  
**Deck Height:** 5' and 7'  
**Roofs:** (2) 5x5 Vinyl  
**Tower 2 Size:** 5x8 Double  
**Deck Heights:** 5' and 7'  
**Roof:** 5x5 Vinyl

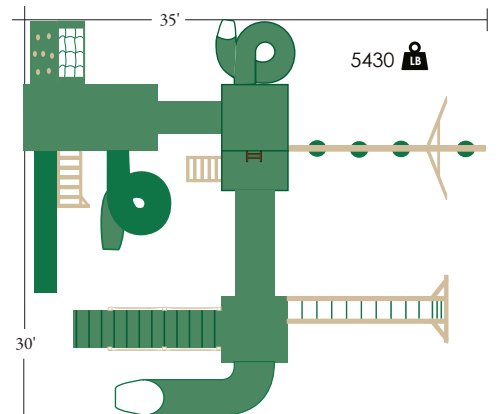
**Tower 3 Size:** 5x5  
**Deck Height:** 5'  
**Roof:** 5x5 Vinyl  
**Connectors:** 6' 6" Crawl Tunnel, 6' 6" Bridge with Rails  
**Climbers:** (2) 5' Entrance Ladders, 12' Ramp w/ Rails, 5' Rockwall, 5' Cargo Net  
**Slides:** 10' Wonder Wave, 7' Spiral, 7' Turbo, 5' Sidewinder





**Swing Beams:** Extra High 4 Position  
 Single Beam, 3 Position Monkey Bars  
**Swings:** (2) Belt Swings, Trapeze, Baby Swing

**Border Needed:**  
 40 pcs.  
**Rubber Mulch Needed:**  
 5.25 Tons  
**Total Space Needed:**  
 44' W x 36' L



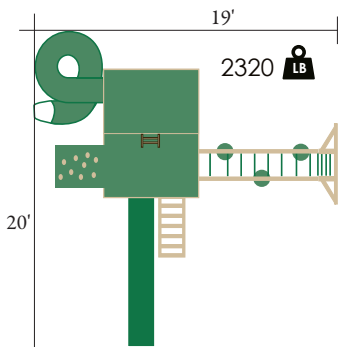




# Orbit Nebula Climber

**Vinyl Color:** Tan  
**Trim Color:** Green  
**Tower Size:** 6x8 Triple  
**Deck Heights:** 5' and 7'  
**Roof:** 4x6 Vinyl  
**Climbers:** 5' Entrance Ladder,  
 5' Rockwall

**Slides:** 10' Wonder Wave, 7' Spiral  
**Swing Beam:** 3 Position Monkey Bars  
**Swings:** Belt Swing, Safe-T-Glider,  
 Baby Swing



**Border Needed:**  
 28 pcs.  
**Rubber Mulch Needed:**  
 2.75 Tons  
**Total Space Needed:**  
 28' W x 28' L

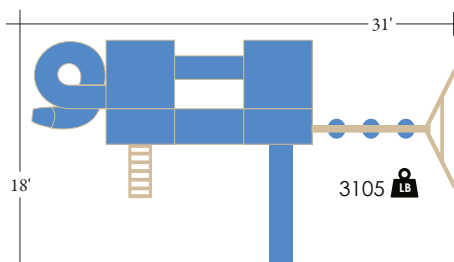




# Milky Way Climber

**Vinyl Color:** White  
**Trim Color:** Blue  
**Tower Sizes:** (2) 5x8 Double  
**Deck Heights:** 5' and 7'  
**Roofs:** (2) 5x5 Pyramid  
**Slides:** 10' Avalanche, 7' Spiral

**Connectors:** 6' 6" Crawl Tunnel, 6' 6" Bridge with Rope  
**Swing Beam:** 3 Position Single Beam  
**Swings:** Belt Swing, Highback Baby Swing, Safe-T-Glider with 4 Chain Adapter



**Border Needed:**  
 34 pcs.  
**Rubber Mulch Needed:**  
 3.75 Tons  
**Total Space Needed:**  
 40' W x 28' L



Add a Turbo or a Sidewinder slide to the back of either tower for more fun!



# Free Standing Options For The Ultimate Playground!



**Free Standing  
Swing Beam**  
available in 2, 3 or  
4 position lengths



**Fanback Lawn  
Swing with Frame**  
The perfect spot for  
Dad and Mom!



**4' Garden Bench**





# Guide To Building Your Own Swingset!

Step 1: Choose Your Colors!

## Vinyl Colors



White



Tan



Green



Gray



Blue



Red

## Trim Colors

## Popular Color Combinations



Green/White



Gray/White



Green/Tan



Blue/White





# Guide To Building Your Own Swingset!

## Step 2: Choose Your Tower Size!



2x2



4x4



4x6



5x5



6x8



4x8 Double



5x8 Double



6x8 Triple



3x5 A-frame



3x5 A-frame with  
3x5 7' Deck



5x5 A-frame



5x5 A-frame with  
5x5 7' Deck



5x8 Playhouse



6x8 Lean-To Playhouse



8x8 Playhouse



# Guide To Building Your Own Swingset!

## Step 3: Choose Your Roof!

Which roof style is right for you? Canvas Roofs are more budget friendly, while vinyl roofs have the timeless a-frame look and are handmade in our shop. Pyramid roofs have that classy, modern feel.



### Canvas Roof

Use on 3x5 and 5x5  
A-frame towers only



### Vinyl Roof

3x3, 4x4, 4x6, 5x5, 6x6



### Pyramid Roof

4x4 or 5x5





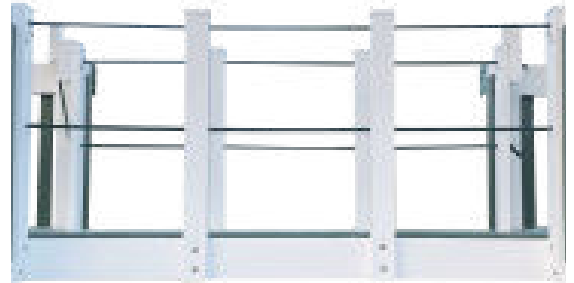
# Guide To Building Your Own Swingset!

## Step 3: Choose A Connecting Option!

Add a second tower with a connecting option, or you can also use swing beams to connect towers. If you are using a connecting option, just revert back to step 2 after choosing your connector! If you don't need a connector for your swingset, just skip this step!



6' 6" Bridge with Rails



6' 6" Bridge With Rope



6' 6" Crawl Tunnel



8' Wobbly Bridge





# Guide To Building Your Own Swingset!

## Step 4: Choose Your Access Options!



**Entrance Ladder**  
Comes standard with  
one handrail



**Stairs with  
Metal Handrails**  
5' deck height only.



**Stairs with Railings**



**12' Ramp w/ rope**  
5' deck height only



**12' Ramp w/ Railings**  
5' deck height only



**Rockwall**



**Cargo Net**



**Tower Mounting Ladder**  
Attaches to tower to dismount  
from monkey bars



# Guide To Building Your Own Swingset!

## Step 5: Choose Your Swing Beam!



2 Position Single Beam



3 Position Single Beam



4 Position Single Beam



2 Position Monkey Bars



3 Position Monkey Bars



4 Position Monkey Bars



1 Position  
Extension Arm



2 Position  
Extension Arm



Yardsaver Climber Unit



# Guide To Building Your Own Swingset!

## Step 6: Choose Your Slides!



**Wonder Wave Slide**

5' deck height



**Avalanche Slide**

10'---for 5' deck height  
12'---for 6' deck height  
14'---for 7' deck height



**Spiral Slide**

5'---for 5' deck height  
6'---for 6' deck height  
7'---for 7' deck height



**Turbo Slide**

7'---7' deck height



**Sidewinder Slide**

5'---for 5' deck height  
7'---for 7' deck height



**Tunnel Express Slide**

5'---for 5' deck height  
7'---for 7' deck height



**Clear Sections**

Available for all tunnel slides



**Step and Slide Adapter**

Use to add any 7' deck slide to a 5' high deck



# Guide To Building Your Own Swingset!

## Step 8: Choose Your Swings!



Belt Swing



Trapeze Bar



Baby Swing



Highback Baby Swing



Safe-T-Glider

needs 4 chain adapter  
when used on single beams



Hammock



4 Chain Adapter





# Guide To Building Your Own Swingset!

## Step 8: Choose Your Swings!



Bouy Ball



Bouy Ball/Trapeze



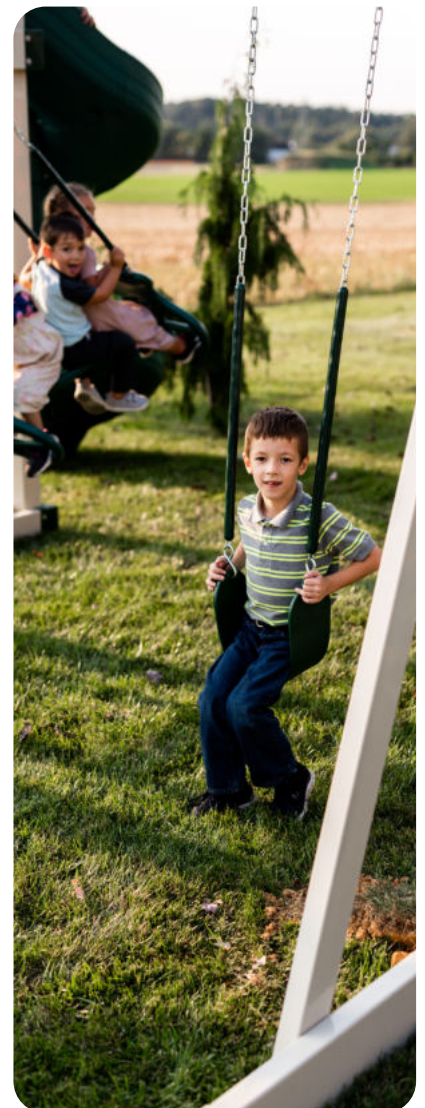
Web Swing



Swivel Tire Swing  
for hanging under towers



Tire Swing For Beam  
for hanging on swing beams





# Guide To Building Your Own Swingset!

## Step 9: Choose Your Fun Add-Ons!



Ships Wheel



Steering Wheel



Binoculars



Telescope



Spotlight



Megaphone



Tic-Tac-Toe



Picnic Table



Fireman's Pole



Swing Beam Misting System

Also available for slides!



Bubble Panel



Trading Post



Trading Post Chairs

Sold by the pair



Decking instead of Sandbox



Lower Deck Railing



Clubhouse under tower  
5' high, 6' high, 7' high  
Standard with 1 door and 2 windows



# Guide To Building Your Own Swingset!

## Step 10: Choose Your Finishing Touches!



Black



Green



Blue



Red



Brown

### Recycled Rubber Mulch

- creates safer playgrounds
- extremely durable, does not decompose
- Does not attract insects
- 5 great color options
- dries exceptionally fast after rain
- mulch is 99.9% steel free

### Flex-Wall Landscape Edging

- keeps the play area separate from the rest of the yard.
- looks like real stone
- made in Lancaster County, PA



### Landing Pad

place under swings  
or slides



Gray



Tan





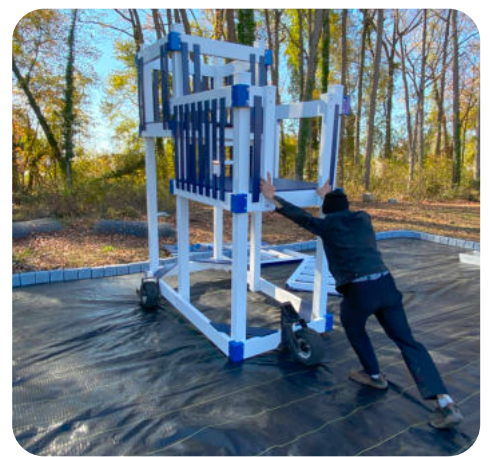
# *Behind The Scenes* at *Star Quality Swingsets*



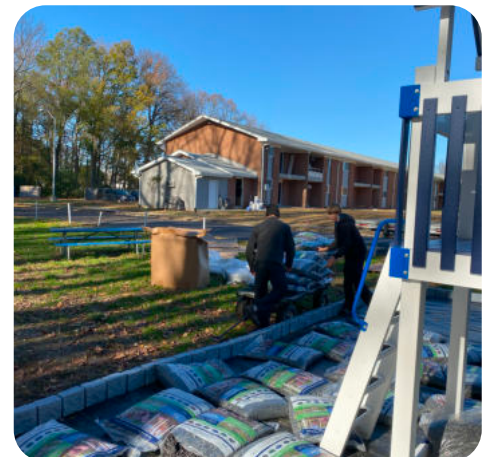
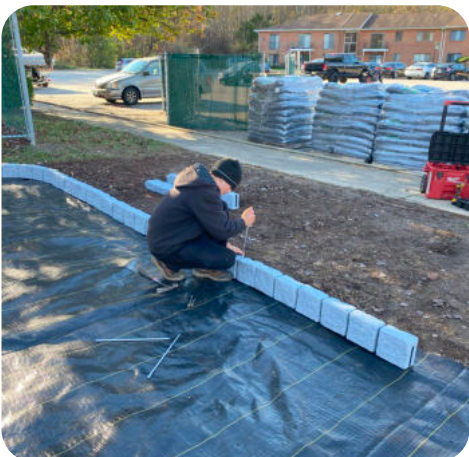
From our manufacturing facility,



to your backyard,



our dedicated crews will make sure you get the best swingset possible!





# Customer Photo Gallery

Here is a small sample of some of the custom swingsets we have manufactured and installed over the years!







Your Authorized Dealer

---

2023 Star Quality Swingsets LLC All Rights Reserved. No part of this catalog may be reproduced in any form without the prior expressed written permission of Star Quality Swingsets LLC.