

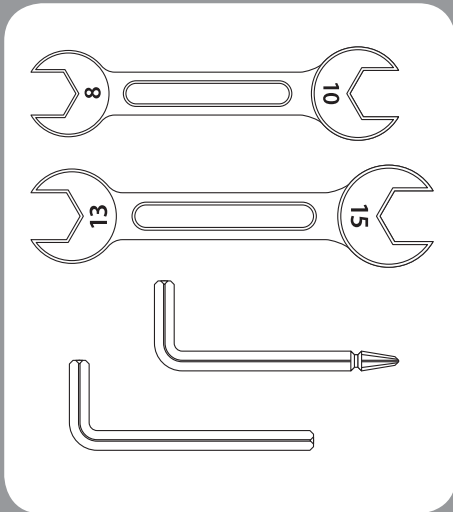
CLASSIC

BANWOOD

www.banwood.com

WHAT'S IN

The box



- A. Assembled alloy frame & rear wheel
- B. Handlebar set
- C. Tools
- D. Front mudguard
- E. Front wicker basket
- F. Pedal

- G. Bell
- H. Saddle with seat post
- I. Front wheel
- J. Training wheels

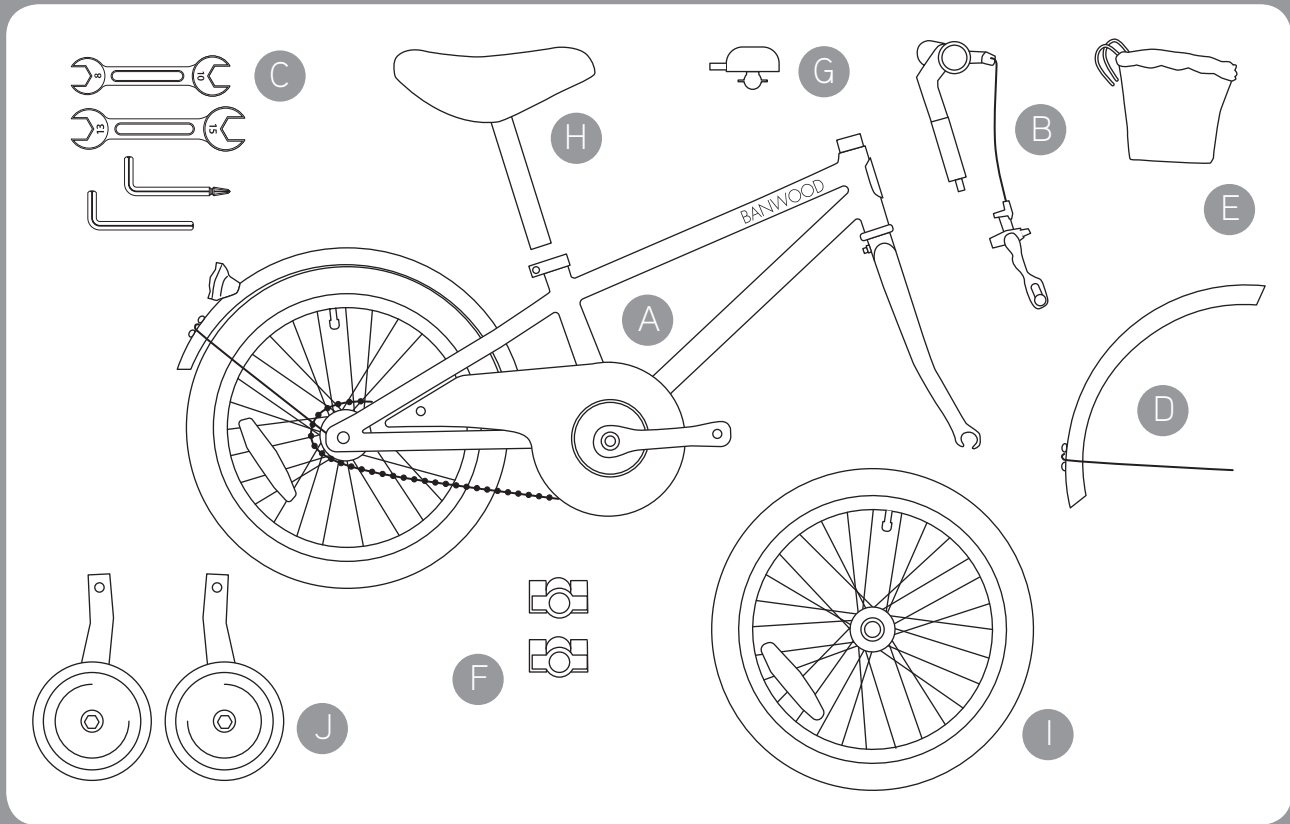
Tools

Allen key (x2)

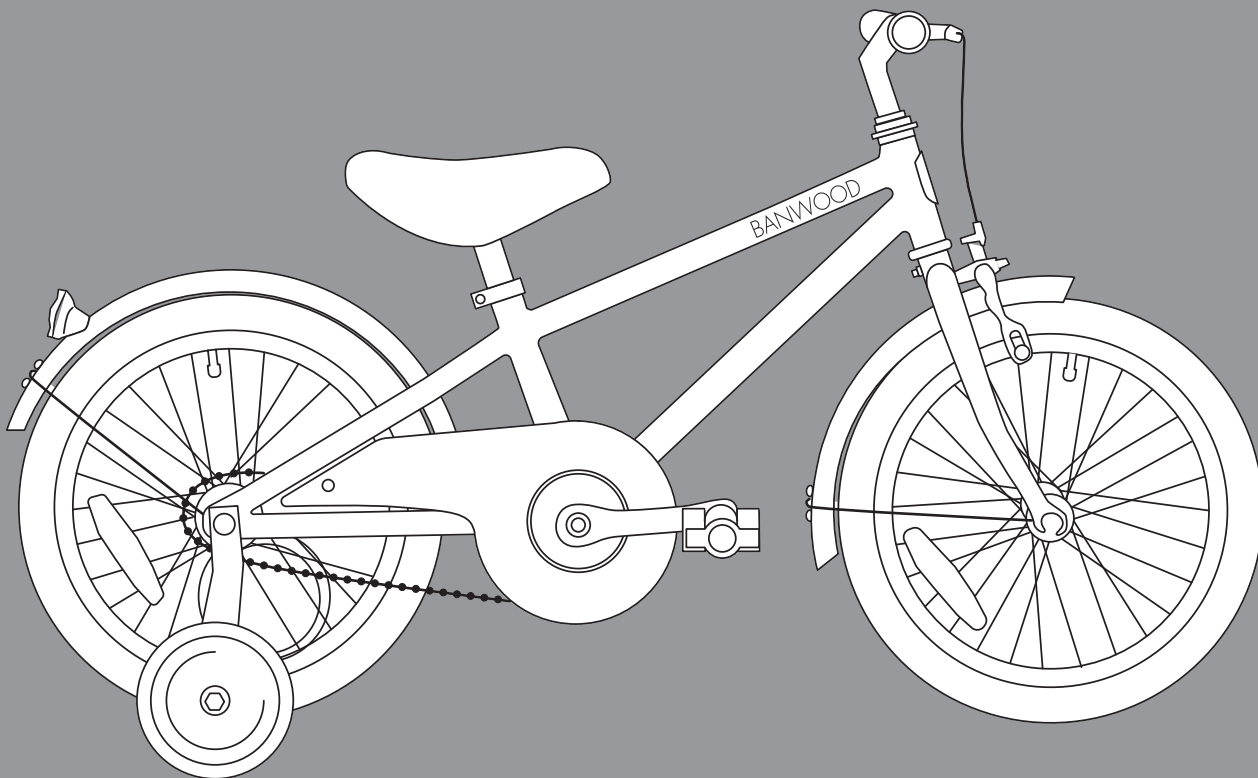
- 6mm
- 5mm/screw driver

Spanner (x2)

- 13/15mm
- 8/10mm



Before assembled

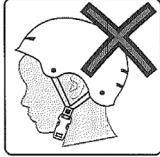
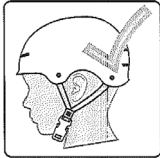


After assembled

Helmet Warning Information

⚠ WARNING: ALWAYS WEAR YOUR HELMET WHEN RIDING THIS PRODUCT!

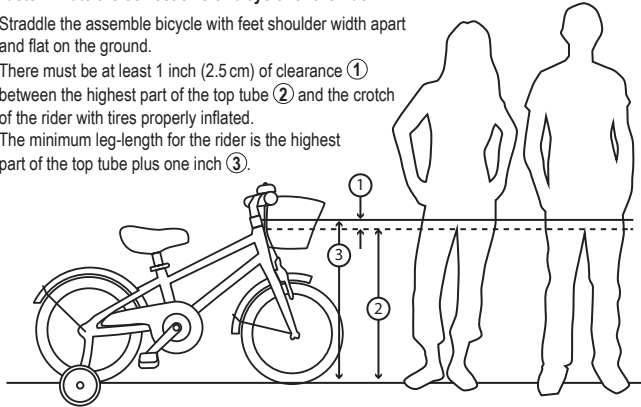
- Helmet should sit level on your head and low on your forehead. Exposed forehead can result in serious injury.
- Adjust the strap sliders below the ear on both sides.
- Buckle the chin strap. Adjust strap until it is snug.
- No more than two fingers should fit between the strap and your chin.
- A proper fitting helmet should be comfortable and not rock forward/backward or side to side.



Fitting the Rider to the Bicycle

To determine the correct size of bicycle for the rider:

- Straddle the assemble bicycle with feet shoulder width apart and flat on the ground.
- There must be at least 1 inch (2.5 cm) of clearance ^① between the highest part of the top tube ^② and the crotch of the rider with tires properly inflated.
- The minimum leg-length for the rider is the highest part of the top tube plus one inch ^③.



Warning and Safety Information

Meanings of Warnings:

⚠ This symbols is important. See the word “**CAUTION**” or “**WARNING**” which follows it. The word “**CAUTION**” is before mechanical instructions. If you do not obey these instructions, mechanical damage or failure of a part of the bicycle can occur. The word “**WARNING**” is before personal safety instructions. If you do not obey these instructions, injury to the rider or the others can occur.

- **CHOCKING HAZARD.** Small parts. Not for children under 3 years.
- Adult assembly is required.
- Handlebar hand grip or tube end plugs should be replaced if damaged as bare tubes have been known to cause injury. All products with capped handlebar ends should be checked regularly to ensure that adequate protection for the ends of the handlebars are in place.
- Replacements forks must have the same rake and tube inner diameter as the original product.
- Do not add a motor to the product.
- Do not tow or push the product.
- Do not modify the product.
- Replace worn or broken parts immediately.
- If anything does not operate properly, discontinue use.

NOTE on HANDBRAKES:

In Australia/New Zealand/China:

- **Left Brake Lever** controls the **Rear Brake**
- **Right Brake Lever** controls the **Front Brake**

Most other countries:

- **Left Brake Lever** controls the **Front Brake**
- **Right Brake Lever** controls the **Rear Brake**

NOTE: The brake cables for front and rear brakes shall be positioned on the right or left brake lever according to the legislation or custom and practice of the country in which the bicycle is sold.

The Owner's Responsibility

⚠ WARNING: This bicycle is made to be ridden by one rider at a time for general transportation and recreational use. It is not made to withstand the abuse of stunting and jumping. If the bicycle was purchased unassembled, it is the owner's responsibility to follow all assembly and adjustment instructions exactly as written in this manual, and any "Special instructions" supplied and to make sure all fasteners and components are securely tightened.

NOTE: Periodically check that all fasteners and components are securely tightened. If the bicycle was purchased assembled, it is the owner's responsibility, before riding the bicycle for the first time, to make sure the bicycle has been assembled and adjusted exactly as written in this manual, and any "Special instructions" supplied and to make sure all fasteners and components are securely tightened.

NOTE:

If product is assembled, please proceed to sections:

- Testing Stem, Handlebar
- Seat Clamp tightness.

Introduction to Assembly

Assembly

This Owner's Manual is made for several different bicycles:

- Some illustrations may vary slightly from the actual product.
- Follow instructions completely.
- If the bicycle has any parts that are not described in this manual, look for separate "Special Instructions" that are supplied with the bicycle.
- Models may have different accessory items such as bags, baskets, reflectors, cup holders, racks, etc.
- All features, components and accessories are not included on all models.
- Use the index page to locate specific sections of this manual.
- Please read through this entire manual before beginning assembly or maintenance.
- If you are not confident with assembling this unit, refer to a local bike shop.

⚠ WARNING: Keep small parts away from children during assembly.

Do not dispose of the carton and packaging until you complete the assembly of the bicycle. This can prevent accidentally discarding parts of the bicycle.

NOTE: All of the directions (right, left, front, rear, etc.) in this manual are as seen by the rider while seated on the bicycle.

General Warning

Your Bike

⚠ WARNING: Not intended for use on public roads.

- Always wear a bicycle helmet that meets CPSC safety standards, as well as local safety standards.
- Always wear shoes.
- **Bikes 12in (30cm) and under not intended for use on public roads.**
- Avoid riding at night, dusk, dawn and any other time of poor visibility.
- **Reflectors:**
 - For your own safety, do not ride the bicycle if the reflectors are incorrectly installed, damaged, or missing.
 - Do or not allow the visibility of the reflectors to be blocked by clothing or other articles. Dirty reflectors do not work well. Clean the reflectors, as necessary, with soap and a damp cloth.
- **Use extra caution in wet weather:**
 - Ride slowly on damp surfaces because the tires will slide more easily.
 - Allow increased braking distance in wet weather.
- **Avoid these hazards to prevent loss of control or damage to your wheels:**
 - Be aware of drain grates, soft road edges, gravel or sand, pot holes or ruts, wet leaves, or uneven paving.
 - Cross railroad tracks at a right angle to prevent the loss of control.
 - Avoid unsafe actions while riding.
 - Do not carry any passengers.
 - Do not carry any items or attach anything to your bicycle that could hinder your vision, hearing, or control.
 - Do not ride with both hands off the handlebar.

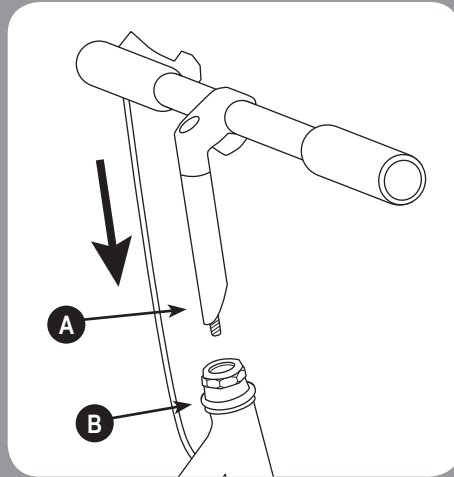
Maximum rider/bike weight for this product is as follows

Bike Size	Rider		Rider + Bike		Rider + Bike + Basket	
	kg	lbs	kg	lbs	kg	lbs
12	27	60	35.3	78	35.45	78
14	27	60	35.7	79	35.85	79
16	27	60	36.6	81	36.76	81
18	34	75	44.5	98	44.66	99

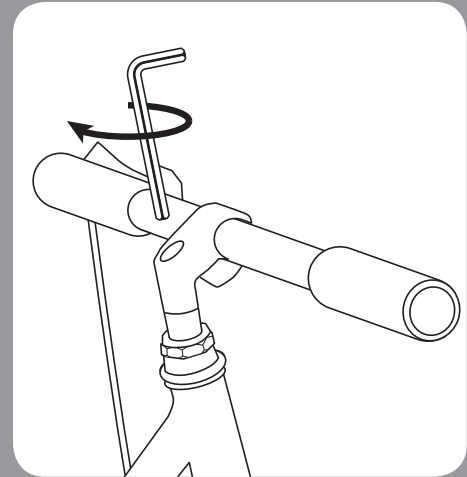
Step 1

Stem Installation

Insert the stem into the headset and make sure the headset is over the safety line of the stem. Using the provided Allen key, fasten the bolt on the top of the stem.



⚠ WARNING: To prevent steering system damage and possible loss of control, the “MIN-IN” (minimum insertion) mark **(A)** on the stem must be below the top of the Locknut **(B)**.



⚠ WARNING: Do not over-tighten the stem bolt. Over tightening the stem bolt can damage the steering system and cause loss of control.

Testing Stem and Handlebar Tightness

Testing Stem and Handlebar Tightness

To test the tightness of the stem:

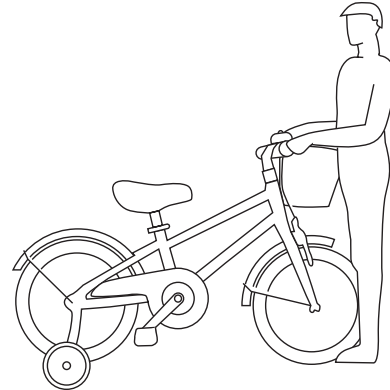
- Straddle the front wheel between your legs.
- Try to turn the front wheel by turning the handlebar.
- If the handlebar and stem turn without turning the front wheel, realign the stem with the wheel and tighten the stem bolt(s) tighter than before (about 1/2 revolution only at a time).
- Do this test again, until the handlebar and stem do not turn without turning the front wheel.

To test the tightness of the handlebar clamp:

- Hold the bicycle stationary and try to move the ends of the handlebar up and down or forward and back.

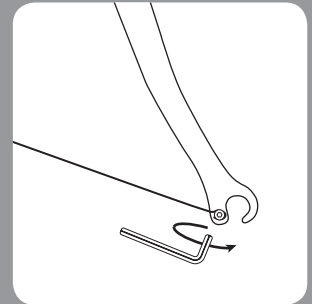
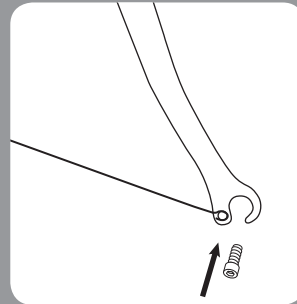
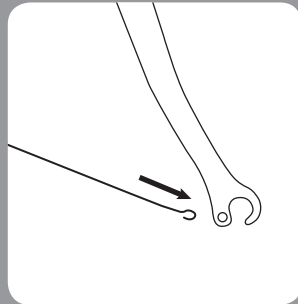
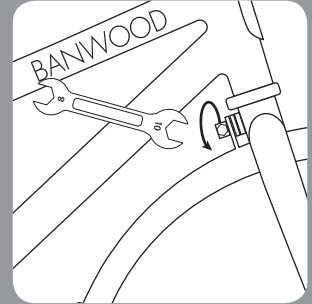
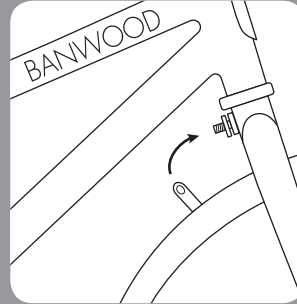
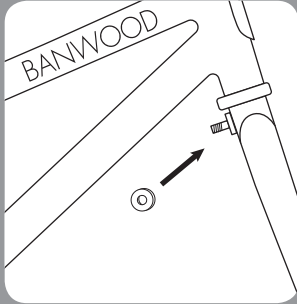
⚠ WARNING: Do not exceed 100 lbs (45kg) force.

- If the handlebar moves, loosen the bolt(s) of the handlebar clamp.
- Put the handlebar in the correct position and tighten the bolt(s) of the handlebar clamp tighter than before.
- If the handlebar clamp has more than one bolt, tighten the bolts equally.
- Do this test again, until the handlebar does not move in the handlebar clamp.



Step 2

Front mudguard Installation

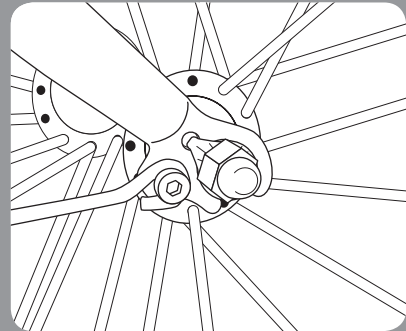
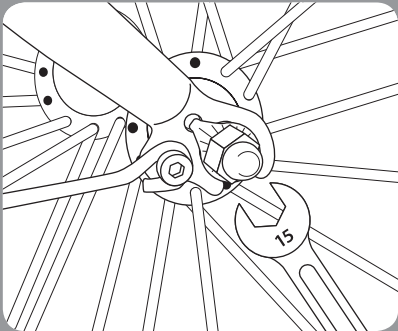
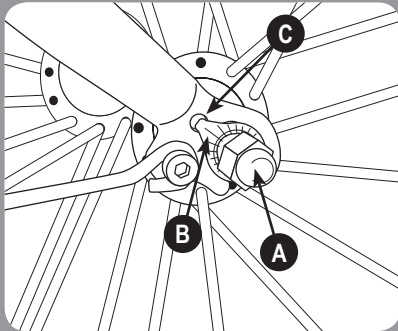
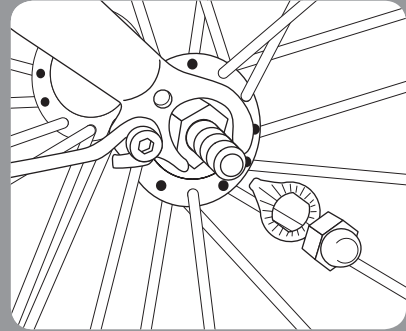
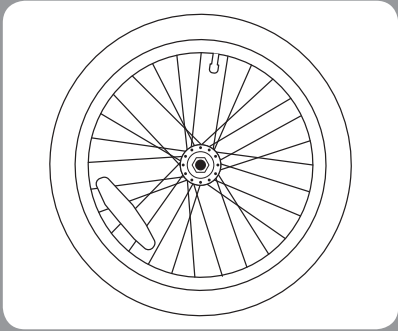
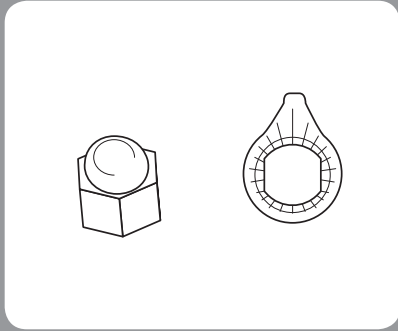


How to assemble the front mudguard?

- Taking out the screw by spanner 10mm.
 - Install the mudguard,then put back the screw and fix it.
- Take out the screws on fork dropouts by screw driver.
 - Place mudguard supports on fork dropouts.
 - Put back the screws and use screw driver to fix.
-
-

Step 3

Installing the Front Wheel



How to fit the front wheel?

- Removing the Axle Nuts **(A)** and wheel retainers **(B)** that already attached to the front wheel axle.
- Set the wheel into the front fork.
- Install wheel retainers making sure the tabs are in the fork **(C)** tab holes.
- Attach the front wheel with the Alex Nuts.

- Put the wheel in the center of the fork and tighten Axle Nuts securely by spanner 15mm.

NOTE: Ensure wheel spins freely without contacting fork or mudguard.

⚠ WARNING: Do not use Nuts **(A)** without serrations to attach the front wheel.

⚠ WARNING: Failure to obey these steps can allow the front wheel to loosen while riding. This can cause injury to the rider or to others.

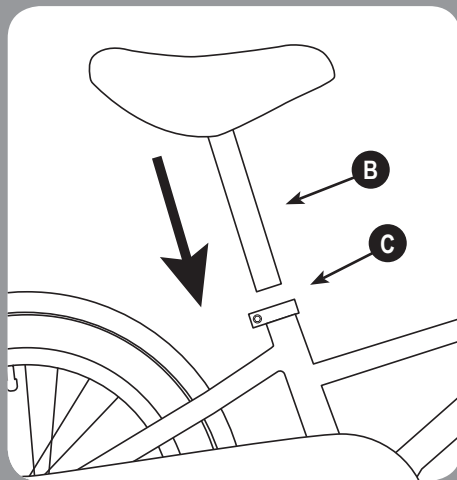
Step 4

Saddle Installation

Loosen the hex head bolt on the seat post clamp to allow movement of the saddle.

Adjust the height so that your child's feet rest comfortably on the ground, flat and slightly bending the knee.

Tighten bolt securely so it supports the rider without moving.

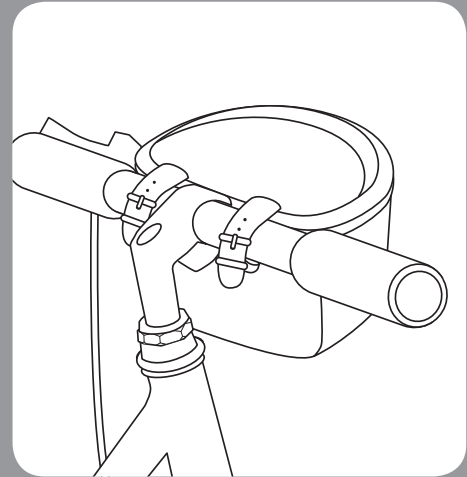
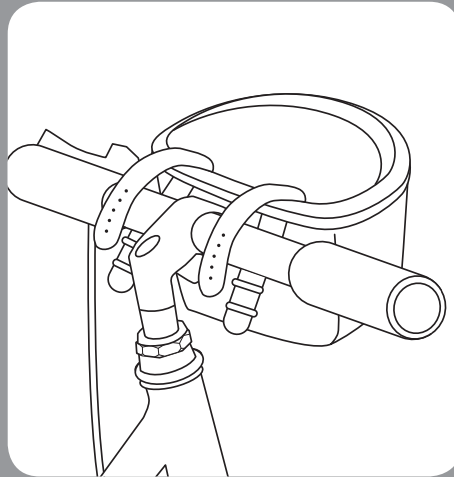


⚠ WARNING: To prevent the seat coming loose and possible loss of control, the "min.in" (minimum insertion) mark **(B)** on the Seat Post must be below the top of the Seat Tube **(C)**.

Step 5

Basket Installation

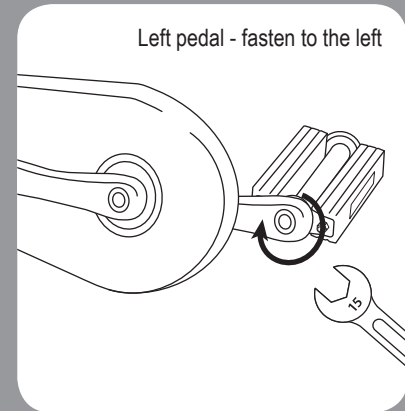
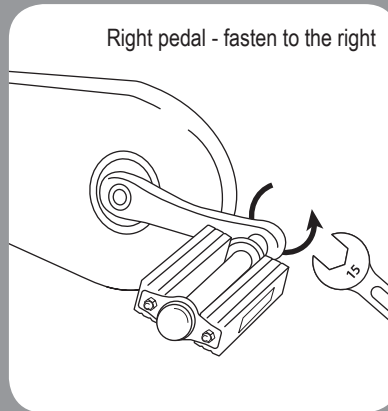
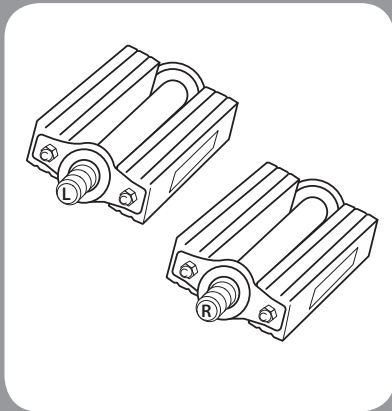
Attach the straps on the basket to the handlebar and adjust it to a perfect position.



Step 6

Pedal Installation

- Please note that there is a letter at the end of the axle. “L” stands for left, “R” stands for right.
- Using the spanner 15mm to fix the “L” pedal on the left side and “R” pedal on the right side



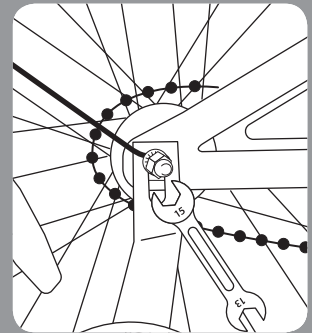
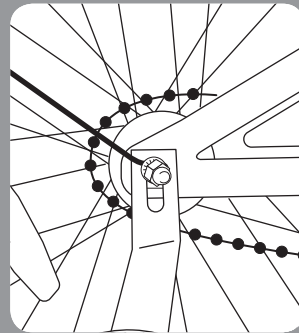
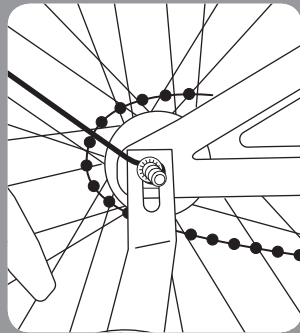
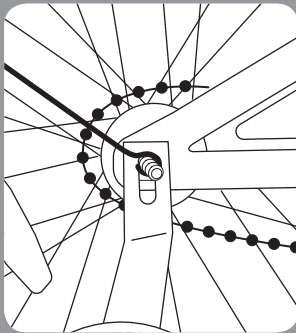
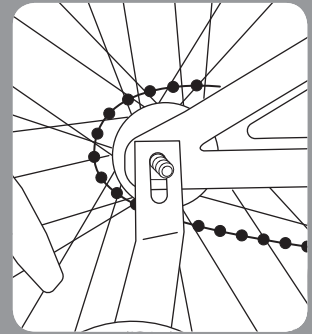
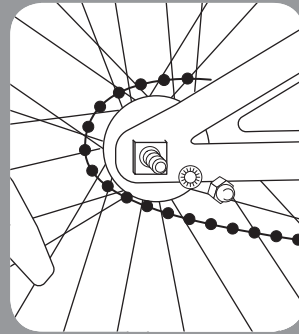
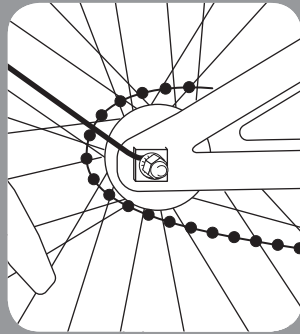
Tighten the pedals:

- Make sure the threads of each pedal are fully into the crank arm.

⚠ WARNING: Ensure pedals are secure in crank arms so they will not loosen. Periodically check tightness.

Step 7

Training Wheel Installation



How to assemble the training wheel?

- Remove outside Alex Nuts (A) and mudguard supports from both sides of Alex (B) by Spanner 15mm.
- Put the Alignment Tab (C), a Training Wheel Leg (D), mudguard support, spacer and an Axle Nut (A) on each end of the rear wheel Alex.
- Fix the nuts with the spanner 15mm, make sure both training wheel are the same distance from the ground.

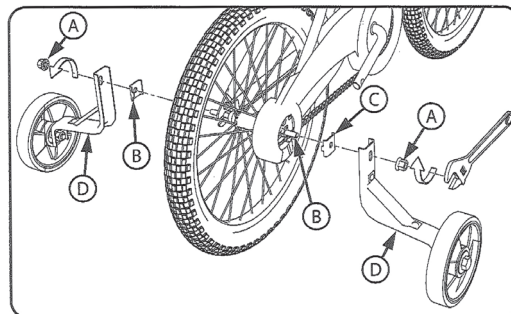
OPERATION:

⚠ WARNING: Before each ride, make sure both axle nuts are tight. Also make sure both training wheels are the same distance from the ground.

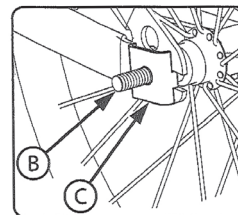
As your child's ability improves, you may raise and eventually remove the training wheels.

Raising the training wheels little by little will help them learn to ride on the bike's two wheels.

- **To move the training wheels**, loosen the axle nuts, slide the leg to the correct position, and retighten the axle nuts.
- **To remove the training wheels**, remove the Axle Nuts and Trainings Wheel Legs. The reinstall Axle Nut over Alignment Tab and tighten securely.



⚠ WARNING: Make sure the notched tab of the Alignment Tab (C) is to the rear of the axle and in the slot of the frame.



⚠ WARNING: Failure to reinstall Axle Nuts can cause injury to the rider or to others.

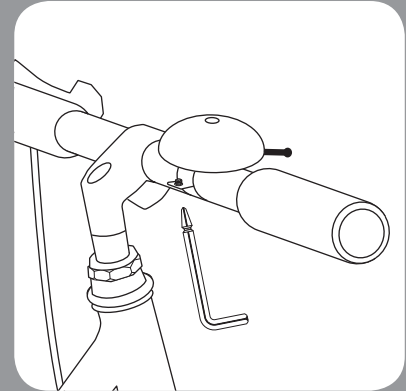
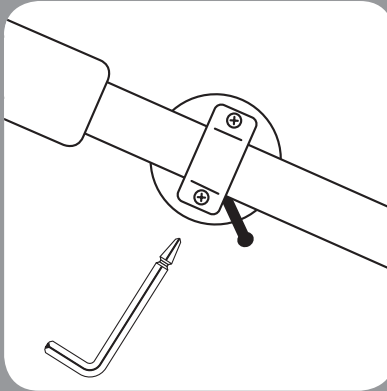
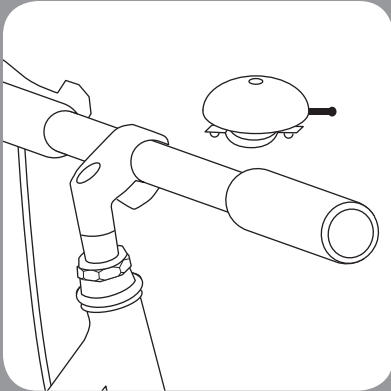
⚠ WARNING: When riding with training wheels:

- Ride only on level areas.
- Do not ride on steep hills, uneven sidewalks, or near steps. The bicycle can tip over if a training wheel goes off the edge of the riding surface.
- Ride straight up and down sloped surface, because the bicycle can tip over when riding across sloped surface.
- Slow down at corners because you can not turn as quickly as bicycles without training wheels.

Step 8

Bell Installation

Using the screw driver to install the bell on the handlebar.



Step 9

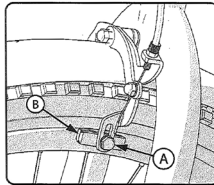
Rim Brake System Setup

⚠ WARNING: You must adjust the front the brakes before you ride the bicycle.

NOTE: FRONT AND REAR BRAKE SETUP IS THE SAME.

Step One: Put the brake shoes (B) in the correct position:

- Loosen the Screw (A) of each Brake Shoe (B).
- Adjust each Brake Shoe so it is flat against the rim and aligned with the curve of the rim.
- Make sure each Brake Shoe does not rub the tire.
- If the surface of the Brake Shoe has arrows, make sure the arrows point toward the rear of the bicycle.
- Hold each Brake Shoe in position and tighten the Screw.

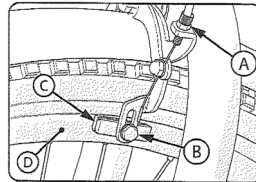


Step Two: Test the tightness of each Brake Shoe:

- Try to move each Brake Shoe out of position.
- If a Brake Shoe moves, do Step 1 again, but tighten the nut tighter than before.
- Do this test again, until each Brake Shoe does not move.

Brake Pad Replacement

- 1 If necessary, loosen brake cable Adjustment Bolt (A).
- 2 Loosen and remove brake pad Bolt/ Screws (B).
- 3 Remove old Brake Shoe (C).
- 4 Install new Brake Shoe, making sure it is pointing forward and lined up evenly with the Wheel Rim (D).
- 5 Tighten brake pad Bolt/Screw according to Torque Chart.



⚠ WARNING: Replace Brake Pad with same model and type as original.

Do not over tighten the cable clamp. Over tightening the cable the clamp may cut the cable and cause injury to the rider or the others

Coaster Brakes - various models

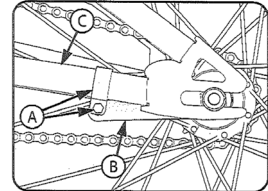
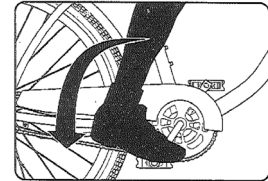
Assembly

These models are equipped with a rear 'coaster' brake that is operated by rotating the crank backwards.

Operate the coaster brake as follows:

- Push the pedals backward to move the chain backward
- The chain activates the coaster brake mechanism that is inside the rear wheel hub
- As you push the pedals backward with increasing force, the braking action of the coaster brake increases.

If you bicycle has a caliper brake(s) in addition to the coaster brake, always use the coaster brake as the main brake to stop the bicycle.



⚠ WARNING: If you do not obey the following instructions, injury to the rider or to others can occur:

- When you ride the bicycle the first time, test the coaster brake and practice using it at a low speed in a large level area that is free of obstructions.
- Every time the bicycle is ridden, make sure the brake arm (B) is securely attached to the chain stay (C) of the bicycle frame. The coaster brake will not work correctly if the brake arm is not attached to the chain stay.

SAFETY NOTICE

- Adult assembly required.
- Parents and carers should ensure that children are properly instructed in the use of this product
- Keep small parts away from children during assembly.
- When unpacking the Classic, properly dispose of all plastic wrappings.
- Protect your child's head with an approved safety helmet as well as appropriate clothing and closed-toe shoes when riding your Classic.
- While using the product, keep hands and fingers away from wheels and other moving parts to avoid danger of pinching or entrapment.

CARE AND MAINTENANCE

- Your Classic is fitted with pill bottle safety valve caps. To remove, press down and turn in anti-clockwise direction.
 - Store the bike inside and never leave your Classic outside for long periods of time.
 - After riding, remove any water or mud with a clean cloth.
 - Keep your Classic in a dry place when not in use.
 - Check your tyre pressure regularly.
 - Make sure that the tyres are kept at the correct pressure (please see tyre for details).
 - Regularly check and securely tighten all bolts.
 - Apply a periodic coat of beeswax to maintain and protect the life of your Classic.
 - This bike is designed for young children and will not withstand use by teenagers or adults.
-
-

Maintenance, Repair and Service

⚠ WARNING:

This product should be checked periodically for any loose, broken, or worn parts. Tighten any parts that are loose, and replace any worn or broken parts immediately with original equipment. Periodic cleaning will prolong the useful life of the product. Have a bicycle service shop make any repairs or adjustments for which you do not have the correct tools or if the instructions in this manual or any "Special Instructions" are not sufficient for you.

SELF-LOCKING FASTENERS:

With repeated use, Self-Locking Fasteners may lose their ability to lock to the threads and may come loose. Frequently check Self-Locking Fasteners and replace when worn.

INSPECTION OF THE BEARINGS:

Frequently check the wheel bearings of the product. Replace the wheels when the bearings do not pass the following tests:

Lift each end of the product off the ground and spin the raised wheel by hand:

- The wheel should spin freely and easily.
- The should be no side-to-side movement at the wheel edge when pushed to the side with light force.

WEEKLY SERVICE:

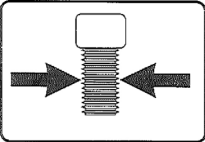
Apply a few drops of general purpose oil to the sides of each wheel axle. Verify that the axle fasteners are tight.

Torque Table

Recommended Torque:

Use of a torque wrench is recommended. Recommended torque for each fastener is listed below. In addition to tightening to the recommended torque, please ensure the parts of the product are sufficiently tightened by performing the functional tests (in the component assembly sections of the owner's manual) on each component as it is tightened.

NOTE: Please check that all fasteners on the product are torqued according to the table below:

Recommended Torque for clean, dry threads:		How to Measure:
Fasteners Size	Torque (ft-lb / N•m)	Screw or bolt size is determined by the width at the THREADS as shown.
.157 in (4 mm)	3.1 ft-lbs (4.2 N•m)	
.196 in (5 mm)	5 ft-lbs (6.8 N•m)	
.236 in (6 mm)	7 ft-lbs (9.5 N•m)	
.275 in (7 mm)	12 ft-lbs (16.3 N•m)	
.314 in (8 mm)	17 ft-lbs (23 N•m)	
.393 in (10 mm)	33 ft-lbs (44.7 N•m)	
Pedals	24 ft-lbs (30 N•m)	

Tires

Maintenance:

- Frequently check the tire inflation pressure because all tires lose air slowly over time. For extended storage, keep the weight of the bicycle off the tires.
- Do not use unregulated air hoses to inflate the tire/tubes. An unregulated hose can suddenly over inflate bicycle tires and cause them to burst.
- Replace worn tires.

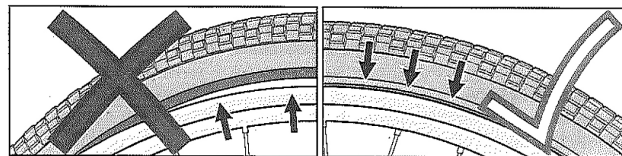
⚠ WARNING: Do not ride or sit on the bicycle if a tire is under inflated. This can damage the tire, inner tube and rim.

Inflating the Tires:

- Use a hand or a foot pump to inflate the tires.
- Service station meter-regulated air hoses are also acceptable.

- The maximum inflation pressure is shown on the tire sidewall.
- If two inflation pressures are on the tire sidewall, use the higher pressure for on-road riding and the lower pressure for off-road riding.
- The lower pressure will provide better tire traction and a more comfortable ride.

Before adding air to any tire, make sure the edge of the tire (the bead) is the same distance from the rim, all around the rim, on both sides of the tire. If the tire does not appear to be seated correctly, release air from the inner tube until you can push the bead of the tire into the rim where necessary. Add air slowly and stop frequently to check the tire seating and the pressure, until you reach the correct inflation pressure.

**Recommended Tire Pressure (kilopascals):**

Frequently check the tire inflation pressure because all tires lose air slowly over time. For extended storage, keep the weight of the product off the tires.

Recommended tire pressure is marked on the side of the tire. Conversion from PSI to Kilopascals:

PSI	Kpa
20	140
30	210
40	275
50	345
60	415

Inspection of the Bearing

MAINTENANCE

Frequently check the bearings of the bicycle. Lubricate the bearings once a year or any time they do not pass the following tests:

HEAD TUBE BEARINGS

The fork should turn freely and smoothly at all times. With the front wheel off the ground, you should not be able to move the fork up, down, or side-to-side in the head tube.

CRANK BEARINGS

The crank should turn freely and smoothly at all times and the front sprockets should not be loose on the crank. You should not be able to move the pedal end of the crank from side-to-side.

WHEEL BEARINGS

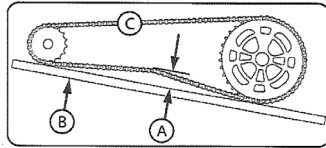
Lift each end of the bicycle off the ground and slowly spin the raised wheel by hand. The bearings are correctly adjusted if:

- The wheel spins freely and easily.
- The weight of the spoke reflector, when you put it toward the front or rear of the bicycle, causes the wheel to spin back and forth several times.
- There is no side-to-side movement at the wheel rim when you push it to the side with light force.

Chain Adjustment

⚠ WARNING:

- The chain must remain on the sprockets. If the chain comes off the sprockets, the coaster brake will not operate.
- Do not attempt chain repairs. If there is a problem with the chain, have bicycle service shop make any repairs.



Adjustment:

The chain must be at the correct tightness. If too tight, the bicycle will be difficult to pedal. If too loose, the chain can come off the sprockets.

When the chain (C) is at the correct tightness, you can rotate the crank freely and you can pull it no more than one-half inch (A) away from a straightedge (B) as shown.

Adjust the tightness of the chain as follows:

- Loosen the axle nuts of the rear wheel.
- Move the rear wheel forward or backward as necessary.

NOTE: Make sure the rear wheel is in the center of the bicycle frame.

- Hold the wheel in this position and tighten securely.

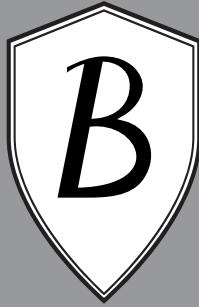
Lubrication

⚠ WARNING:

- Do not over lubricate. If oil gets on the wheel rims or the brake shoes, it will reduce brake performance and a longer distance to stop the bicycle will be necessary. Injury to the rider or the others can occur.
- The chain can throw excess oil onto the wheel rim. Wipe excess oil off the chain.
- Keep all oil off the surfaces of the pedals where your feet rest.
- Using soap and hot water, wash all oil off the wheel rims, the brake shoes, the pedals, and the tires.
- Rinse with clean water and dry completely before you ride.
- Using a light machine oil (20W), lubricate the bicycle according to the following table:

Lubrication Table (as equipped)

What	When	How
Pedals	every six months	Put four drops of oil where the axles go into the pedals.
Chain	every six months	Put one drop of oil on each roller of the chain. Wipe all excess oil off the chain.
Derailleurs	every six months	Put one drop of oil on each pivot point of the derailleurs.
Brake Levers	every six months	Put one drop of oil on the pivot point of each brake lever.
Wheel Brakes	every six months	Put one drop of oil on the pivot point of each cantilever brake.
Brakes and cable	every six months	Put four drops of oil into both ends of each cable. Allow oil to soak back along the cable wire.
Rear Sprocket Cluster	every six months	Lay the bicycle on its left side. Slowly turn the rear wheel clockwise. Put four drops of oil in the crack between the rear sprockets (which are stationary) and the freewheel body (which is turning clockwise).
Shock Fork	every six months	Lift up the rubber fork boot and dab a small amount of grease on the fork leg just above the plastic bushing.



BANWOOD

www.banwood.com

info@banwood.com