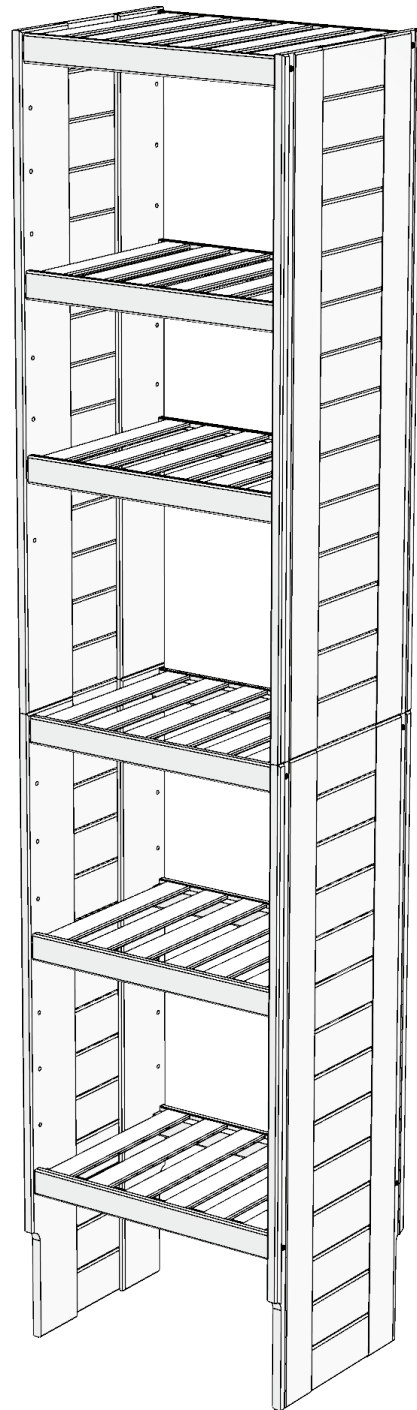
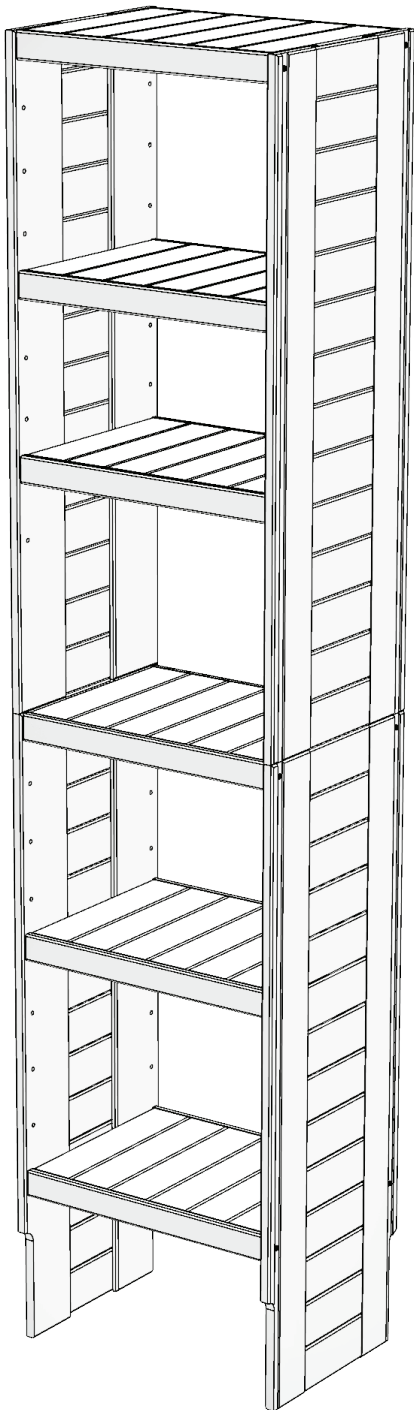


NKC

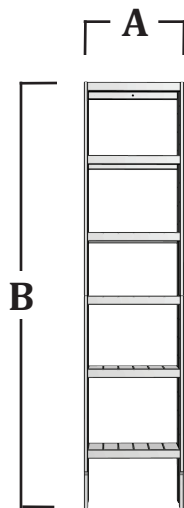
NORTHERN KENTUCKY CEDAR, LLC

Deluxe Cubby Assembly



Before You Start

1. Use caution when assembling this unit. Excessive weight will cause damage to the unit. Serious or fatal injuries may occur from the unit falling if not properly fastened to the wall.
2. Products that are instructed to be fastened to the wall must either be connected to a stud or by drywall anchors (not included).
3. Each unit may be attached to another or cut down to fit your needs. With that in mind; Plan ahead. Assemble each unit one at a time, and only cut down pieces when you are confident that they will fit together.
4. Using the chart below, determine if your unit will fit in the desired space. The only cuts you should make prior to assembly are on the panels of a cubby unit, so they will fit when standing up-right. Use the chart below accordingly.



A - Length

CDSCK1214 - 13 1/2"
CDSCK1814 - 19 1/2"
CDSCK2414 - 25 1/2"
CDSCK3014 - 31 1/2"

B - Height

All Units are 84" tall

5. If you purchased a cubby add-on, please refer to the instructions included with that unit before assembling anything. Special steps must be completed prior to installing this unit.
6. This unit is installed faster and much easier with the help of others.

For Support:

Call toll free 855.239.9498 or 606.742.2745 Email - sales@northernkycedar.com

Once your unit is complete, we would love to see it! Send us pictures at our Email!

Thank You For Your Purchase

Because this system is based around the concept of individuality, this system can be used in conjunction with any Northern Kentucky Cedar, LLC product. The different ways are limited only by your imagination, and as such, not all components have to be used during installation.

To ensure a proper and easy installation, thoroughly read and follow this document. Basic carpentry skills will help.

This system is designed for clothes, linens, and pantry items. Placing excessively heavy items in your closet may lead to structural failure.

Knots, checking, and light cracks are typical characteristics of Aromatic Red Cedar and do not warrant a cause for exchange or refund.

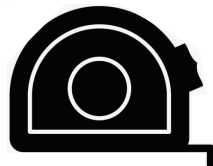
If scent wears off, lightly sand with a fine sandpaper to revitalize scent.

If you purchased a cubby add-on please refer to the instructions included with that unit before assembling anything. Special steps must be completed prior to installing this unit.

Tools you will need



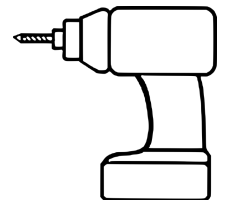
Safety Glasses



Tape Measure



Cup of Water



- 1/16" Drill Bit
- 1/8" Drill Bit
- #2 Square Bit



Hammer

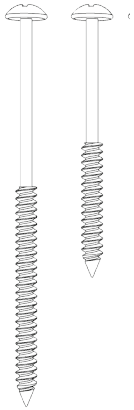


Stud Finder



Level

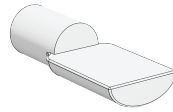
Your Kit Will Include



C1 - (x12) 2" Screws

D1 - (x3) 3" Screws

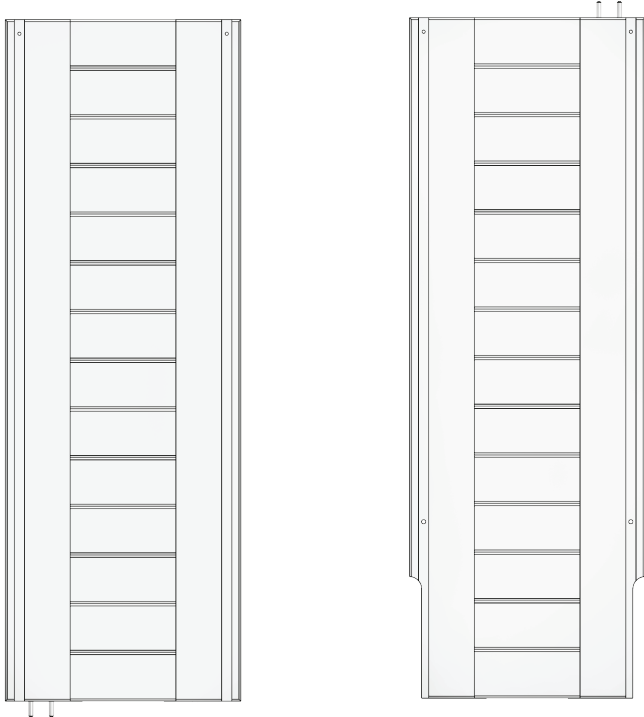
(Kit may contain extra hardware)



E1 - (x12) Shelf Support Pegs

Shelves will be Ventilated or Solid depending on your order

(x2) Bottom Panels
(x2) Top Panels (notched for baseboards)

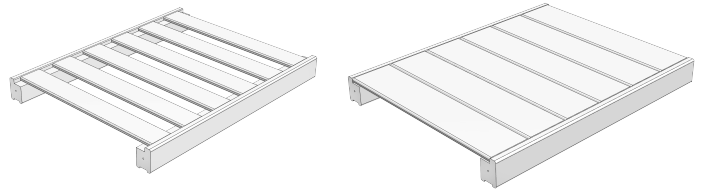


(x3) Pre-drilled Shelves

6' Wall Kit - 12"

8' Wall Kit - 18"

10' Wall Kit - 24"

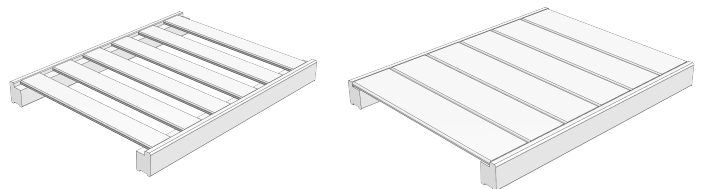


(x3) Adjustable Shelves

6' Wall Kit - 12"

8' Wall Kit - 18"

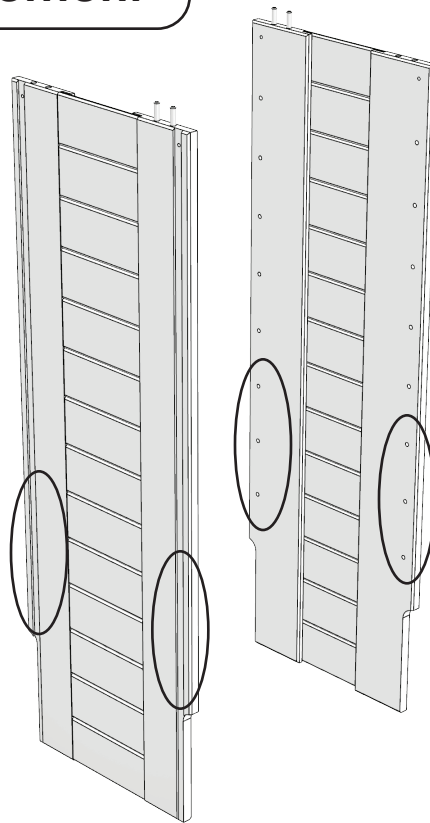
10' Wall Kit - 24"



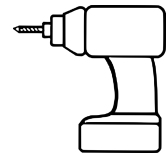
Step 1 - Bottom Shelf Placement

1. The bottom panels have the notch cut out. Tops will not have a notch.

2. Select one of bottom 3 holes for shelf placement. Drill holes completely through on both bottom panels.



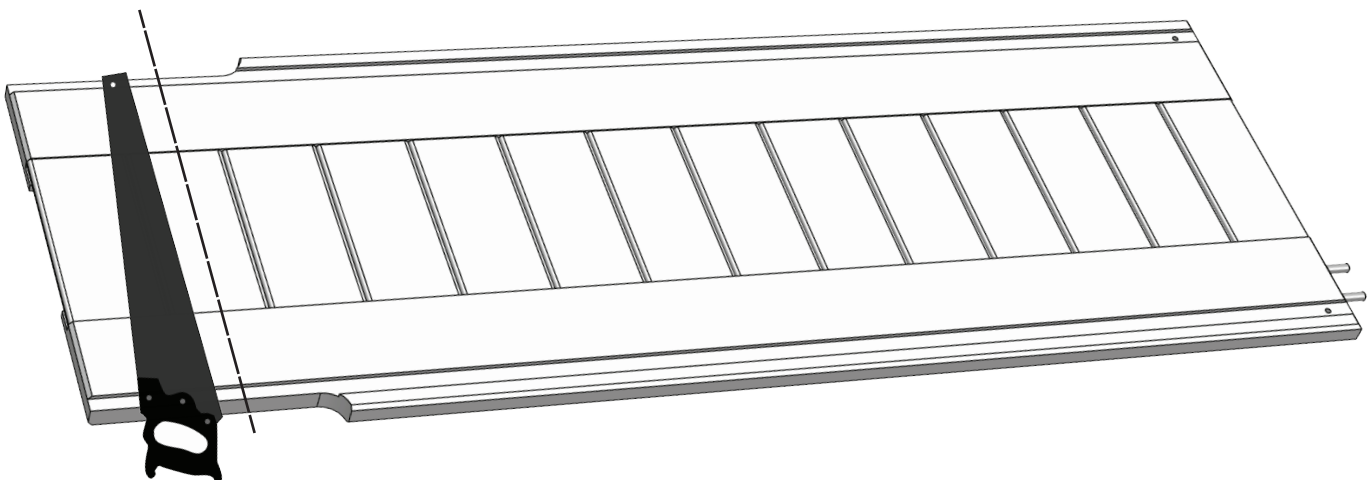
Try to be gentle with the Pre-Installed Dowels.



1/8" Drill Bit

Step 2 - (Optional) Cut Bottom Panels

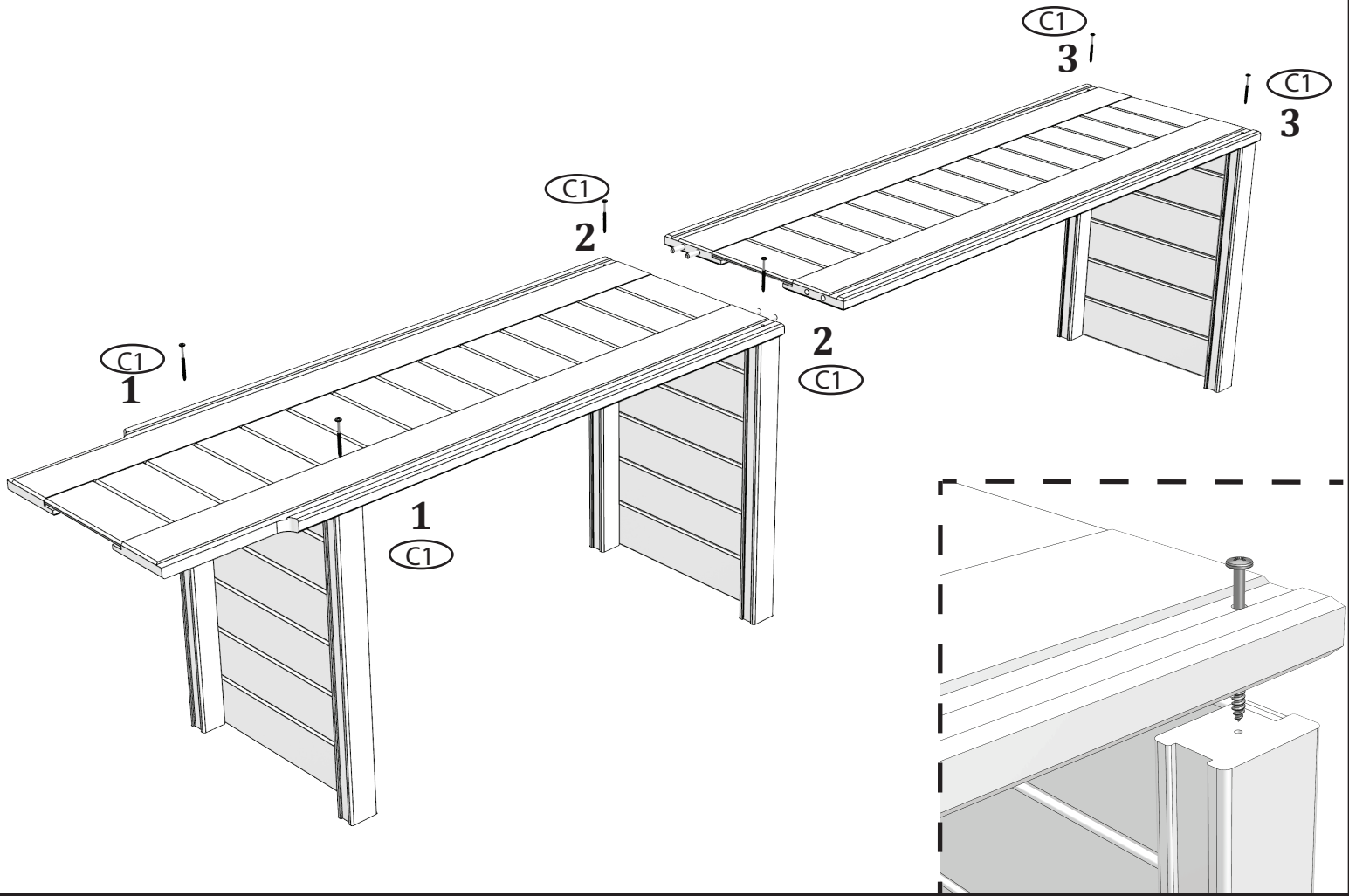
1. If the unit is going to be installed in a room that is shorter than 84" you must cut the bottom panels. Measure walls to determine if the unit will fit. If not, cut to an appropriate size. No cutting is required if the room is taller than 84".



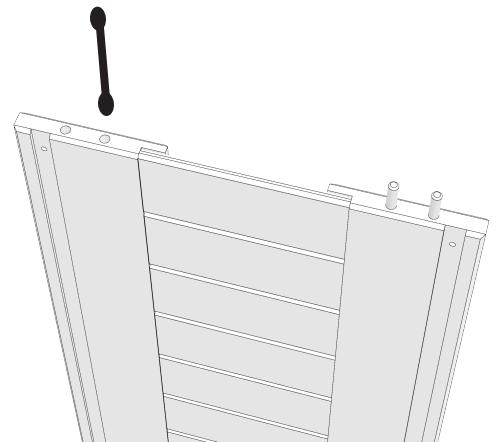
Step 3 - Assembling Cubby Unit (Pt.1)

Attach each pre-drilled shelf following the numbers below.

 <p>(x6) 2" Screws</p>	 <p>x3 Pre-Drilled Shelves</p>	 <p>1 Top Panel 1 Bottom Panel</p>
---	--	--

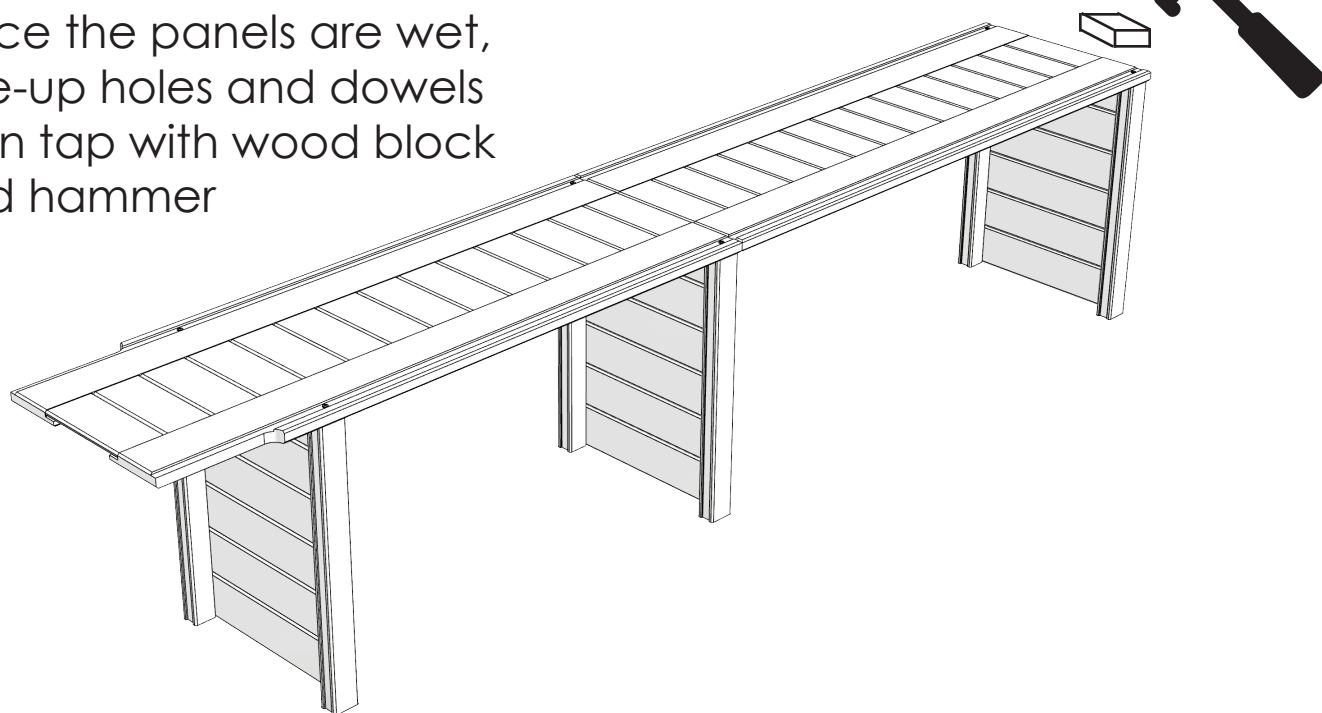


Once each shelf is attached use a damp cotton swab on the holes opposite the pre-glued dowels. Only using enough that the wood is wet, avoid free-standing water in the holes.




Step 4 - Assembling Cubby Unit (Pt. 2)

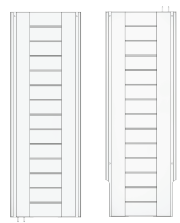
Once the panels are wet,
Line-up holes and dowels
then tap with wood block
and hammer



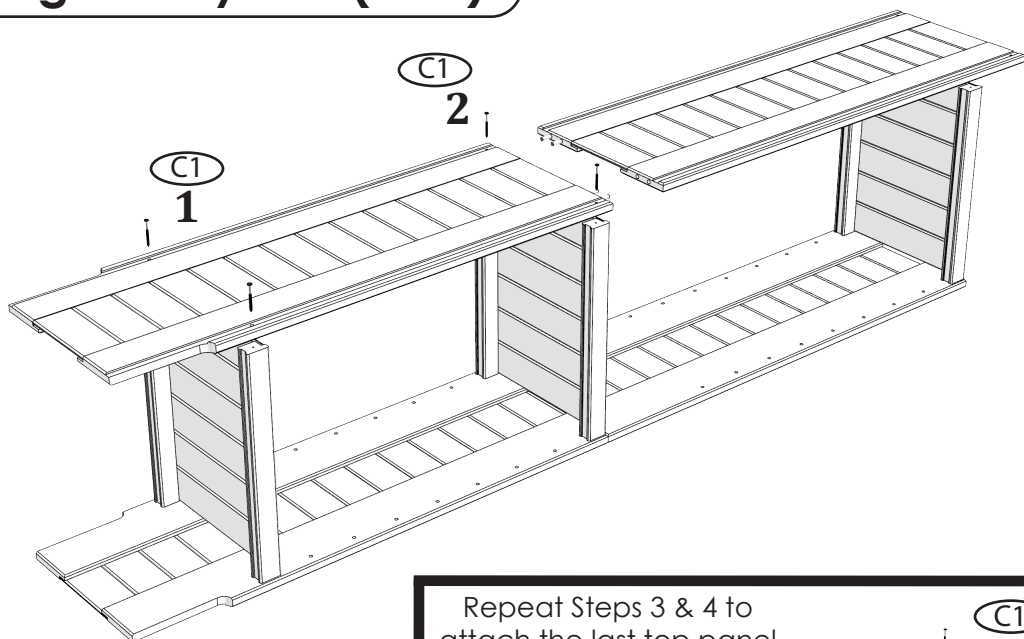
Step 5 - Assembling Cubby Unit (Pt. 3)



(C1)
(x6) 2" Screws

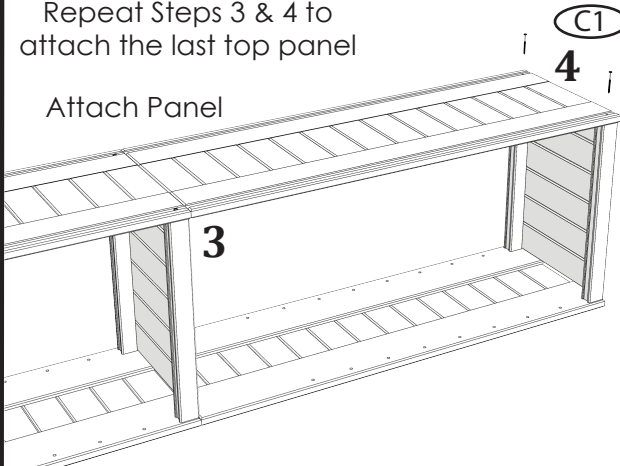


1 Top Panel
1 Bottom Panel



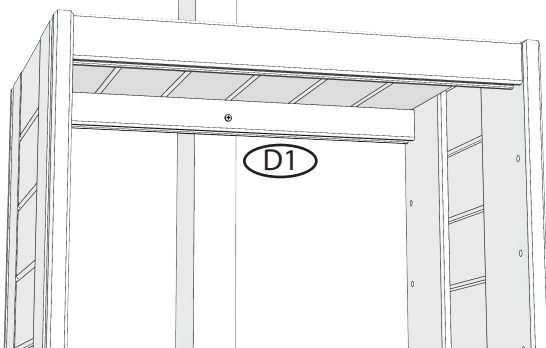
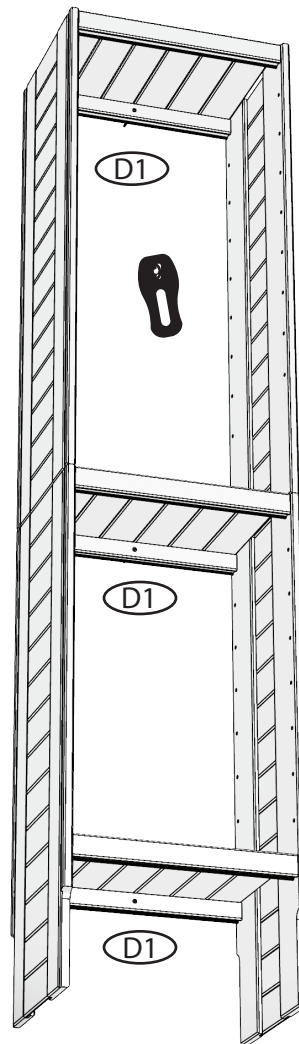
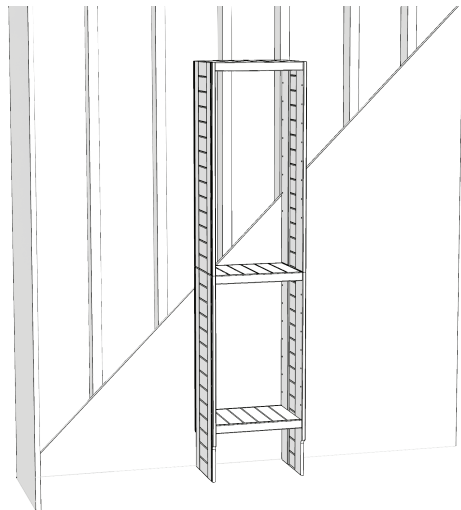
Repeat Steps 3 & 4 to
attach the last top panel

Attach Panel



Step 6 - Place Cubby Unit

Use the cubby as the center between two walls or units.
Attach the cubby to a wall using 3" screws,
preferably to a stud or use drywall anchors.
Place a screw in all three shelves.



Step 7 - Place Cubby Shelving

